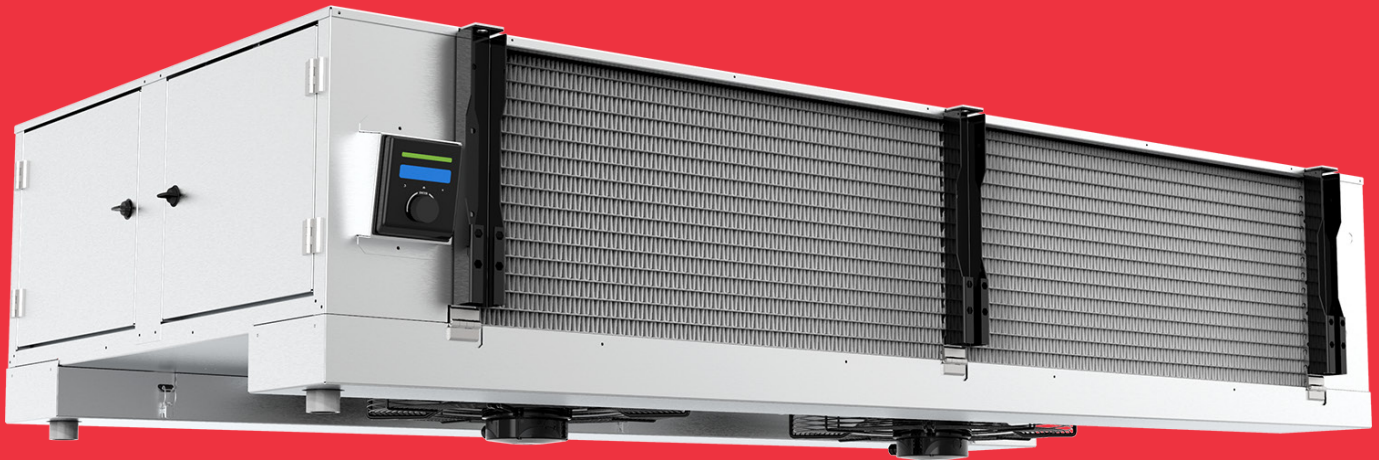


# INDUSTRIAL CENTER MOUNT UNIT COOLERS

Technical Guide



# TABLE OF CONTENTS



<b>3</b>	<b>Features &amp; Benefits</b>
<b>4</b>	<b>Nomenclature</b>
<b>5</b>	<b>Magna Simulation Capacity- Air Defrost</b>
<b>5</b>	Performance Data
<b>5</b>	Air Defrost 60 Hz
<b>7</b>	Air Defrost 50 Hz
<b>9</b>	Unit Specifications
<b>12</b>	<b>Magna Simulation Capacity- Electric Defrost</b>
<b>12</b>	Performance Data
<b>12</b>	Electric Defrost 60 Hz
<b>14</b>	Electric Defrost 50 Hz
<b>16</b>	Unit Specifications
<b>28</b>	<b>Magna Simulation Capacity- Hot Gas Defrost</b>
<b>28</b>	Performance Data
<b>28</b>	Hot Gas Defrost 60 Hz
<b>30</b>	Hot Gas Defrost 50 Hz
<b>32</b>	Unit Specifications
<b>44</b>	<b>Physical Data</b>
<b>44</b>	Physical Data
<b>44</b>	Air Defrost
<b>45</b>	Electric Defrost
<b>46</b>	Hot Gas Defrost
<b>47</b>	<b>Dimensional Data</b>

# FEATURES & BENEFITS

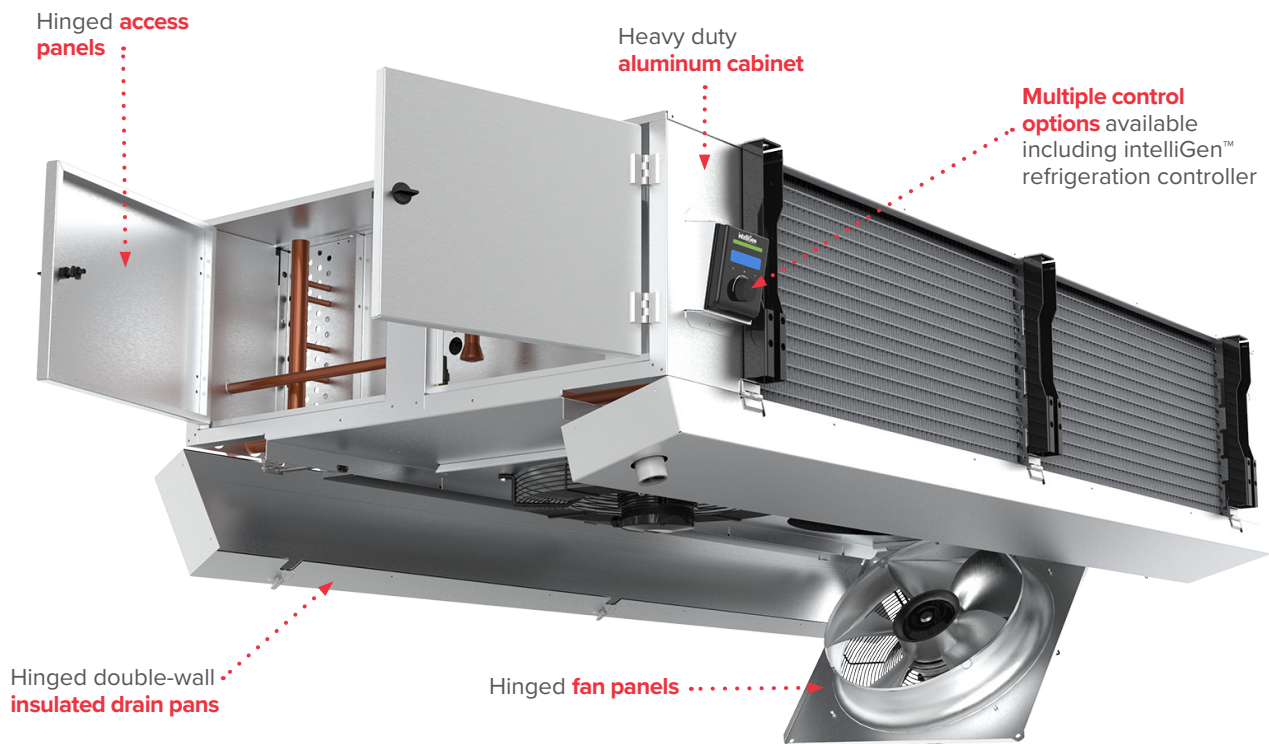
## STANDARD FEATURES

- Heavy duty aluminum cabinet
- High capacity aluminum fin/copper tube evaporator coils with enhanced tubes
- Capacity ranges from 36,000 to 180,000 btuh
- Air, Electric and Hot gas defrost models
- Coil Fin spacing from 3 to 6 FPI
- High efficiency totally enclosed fan motors
- Double wall insulated hinged drain pan.
- Hinged fan venturi panels
- Hinged end service panels

## OPTIONALS

- External rotor motors with hinged venturi panel
- Wash down rated motors
- Variable speed motors
- Variable speed motor controls
- White painted cabinet
- Stainless steel cabinet
- IntelliGen™ Refrigeration Controller
- Mounted thermal expansion valves
- Mounted electronic expansion valves
- Mounted non-fused disconnect switch
- Coil coatings
- CO<sub>2</sub> coil designs
- Long air throw fan and motor designs
- Mounted solenoid valve
- Mounted thermostat

## OUTSTANDING FEATURES



# NOMENCLATURE

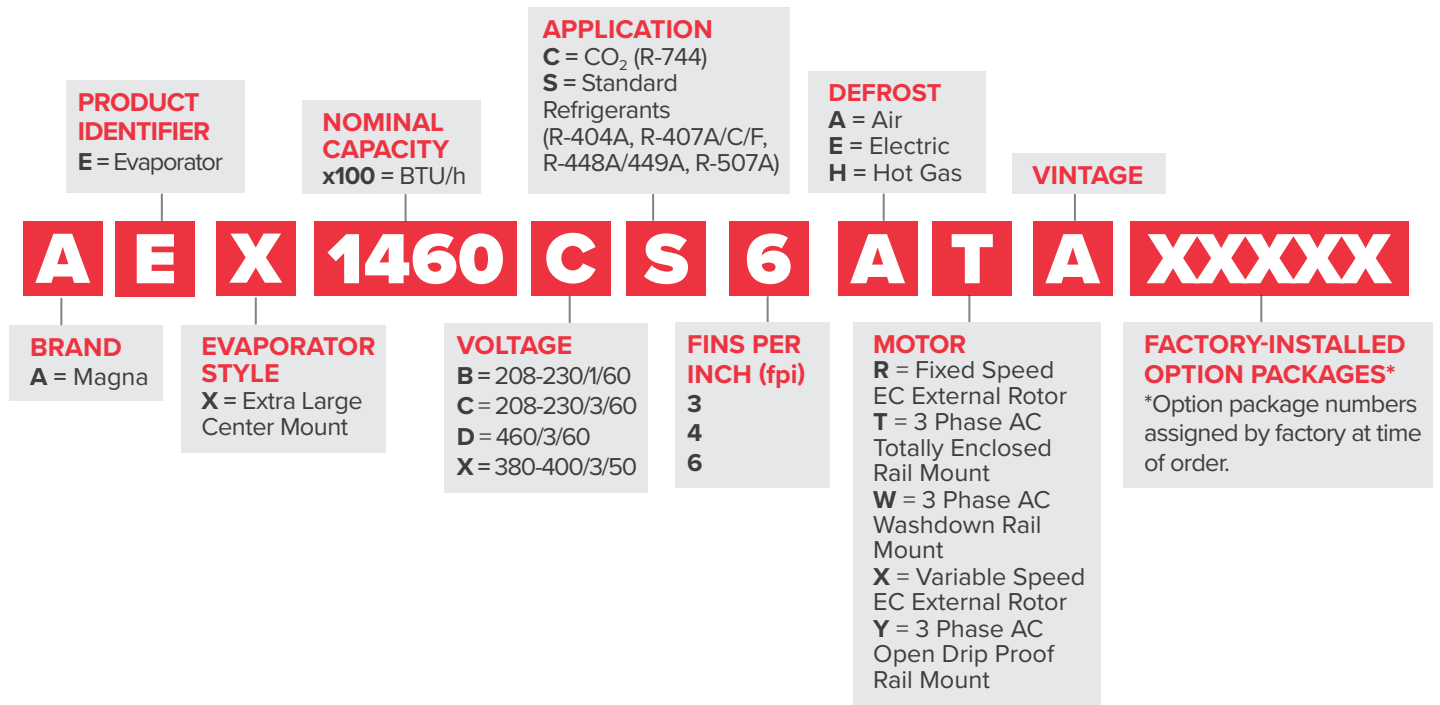


Table 1: Capacity Correction Factors

Electric and Hot Gas Defrost Units Only											
Saturated Suction Temperature	-40°F (-40°C)	-30°F (-34°C)	-20°F (-29°C)	-10°F (-23°C)	0°F (-18°C)	10°F (-12°C)	20°F (-7°C)	25°F (-4°C)	30°F (-1°C)	40°F (4°C)	45°F (7°C)
Multiply Capacity By	0.54	0.61	0.68	0.75	0.82	0.89	0.98	1	1.03	1.1	1.14

**Notes:**

^ = Correction factors provided for reference only. Contact Heatcraft sales representative for capacity information at required conditions.

# PERFORMANCE DATA

Magna Simulation Capacity: Air Defrost- 60 Hz

		Magna Simulation Capacity				Fan Data			Air Throw Per Side
		R-404A/R-507A		R-448A/R-449A					
		Model	10°F TD/25°F SST 80% RH BTUH	6°C TD/-4°C SST 80% RH Watts	10°F TD/25°F SST 80% RH BTUH	6°C TD/-4°C SST 80% RH Watts	No. of Fans	CFM	m³H
4 Fins Per Inch	AEX0390*S4A^A	27,405	8,032	37,983	11,132	1	3,890	6,609	25
	AEX0580*S4A^A	42,197	12,367	55,775	16,346	2	7,840	13,320	25
	AEX0675*S4A^A	49,490	14,504	65,157	19,096	2	7,660	13,014	25
	AEX1050*S4A^A	75,187	22,035	100,572	29,475	3	11,600	19,709	25
	AEX1110*S4A^A	79,147	23,196	106,645	31,255	4	15,680	26,640	25
	AEX1385*S4A^A	98,847	28,969	132,817	38,925	4	15,560	26,437	25
	AEX1460*S4A^A	106,092	31,093	140,520	41,182	5	19,500	33,131	25
6 Fins Per Inch	AEX0475*S6A^A	34,987	10,254	46,225	13,547	1	3,890	6,609	25
	AEX0700*S6A^A	48,718	14,278	66,797	19,576	2	7,840	13,320	25
	AEX0805*S6A^A	56,540	16,570	77,097	22,595	2	7,660	13,014	25
	AEX1225*S6A^A	84,170	24,668	116,877	34,253	3	11,600	19,709	25
	AEX1315*S6A^A	90,318	26,470	125,252	36,708	4	15,680	26,640	25
	AEX1605*S6A^A	110,185	32,292	153,330	44,937	4	15,560	26,437	25
	AEX1765*S6A^A	122,872	36,010	168,598	49,411	5	19,500	33,131	25

**Notes:**

\* = Voltage (see Nomenclature details)

^ = Motor Code Designator (see Nomenclature details)

# PERFORMANCE DATA

Magna Simulation Capacity: Air Defrost- 60 Hz

		Magna Simulation Capacity				Fan Data			Air Throw Per Side
		R-407A/R-407F		R-407C					
		10°F TD/25°F SST 80% RH	6°C TD/-4°C SST 80% RH	10°F TD/25°F SST 80% RH	6°C TD/-4°C SST 80% RH	No. of Fans	CFM	m <sup>3</sup> H	
Model	BTUH	Watts	BTUH	Watts				Standard	
4 Fins Per Inch	AEX0390*S4A^A	34,257	10,040	39,052	11,445	1	3,890	6,609	25
	AEX0580*S4A^A	52,747	15,459	57,948	16,983	2	7,840	13,320	25
	AEX0675*S4A^A	61,863	18,130	67,693	19,839	2	7,660	13,014	25
	AEX1050*S4A^A	93,984	27,544	104,923	30,750	3	11,600	19,709	25
	AEX1110*S4A^A	98,934	28,995	111,037	32,542	4	15,680	26,640	25
	AEX1385*S4A^A	123,559	36,212	138,307	40,534	4	15,560	26,437	25
	AEX1460*S4A^A	132,615	38,866	145,977	42,782	5	19,500	33,131	25
6 Fins Per Inch	AEX0475*S6A^A	43,734	12,817	47,747	13,993	1	3,890	6,609	25
	AEX0700*S6A^A	60,898	17,847	69,903	20,487	2	7,840	13,320	25
	AEX0805*S6A^A	70,675	20,713	80,418	23,568	2	7,660	13,014	25
	AEX1225*S6A^A	105,213	30,835	122,283	35,838	3	11,600	19,709	25
	AEX1315*S6A^A	112,898	33,087	131,503	38,540	4	15,680	26,640	25
	AEX1605*S6A^A	137,732	40,365	160,718	47,102	4	15,560	26,437	25
	AEX1765*S6A^A	153,590	45,013	176,367	51,688	5	19,500	33,131	25

**Notes:**

\* = Voltage (see Nomenclature details)

^ = Motor Code Designator (see Nomenclature details)

# PERFORMANCE DATA

Magna Simulation Capacity: Air Defrost- 50 Hz

		Magna Simulation Capacity				Fan Data			Air Throw Per Side
		R-404A/R-507A		R-448A/R-449A					
		Model	10°F TD/25°F SST 80% RH BTUH	6°C TD/-4°C SST 80% RH Watts	10°F TD/25°F SST 80% RH BTUH	6°C TD/-4°C SST 80% RH Watts	No. of Fans	CFM	m³H
4 Fins Per Inch	AEX0390*S4A^A	24,665	7,229	34,185	10,019	1	3,240	5,505	25
	AEX0580*S4A^A	37,977	11,130	50,198	14,712	2	6,530	11,095	25
	AEX0675*S4A^A	44,541	13,054	58,641	17,186	2	6,380	10,840	25
	AEX1050*S4A^A	67,668	19,832	90,515	26,527	3	9,670	16,429	25
	AEX1110*S4A^A	71,232	20,876	95,981	28,129	4	13,070	22,206	25
	AEX1385*S4A^A	88,962	26,072	119,535	35,032	4	12,970	22,036	25
	AEX1460*S4A^A	95,483	27,983	126,468	37,064	5	16,250	27,609	25
6 Fins Per Inch	AEX0475*S6A^A	31,488	9,228	41,603	12,193	1	3,240	5,505	25
	AEX0700*S6A^A	43,846	12,850	60,117	17,619	2	6,530	11,095	25
	AEX0805*S6A^A	50,886	14,913	69,387	20,335	2	6,380	10,840	25
	AEX1225*S6A^A	75,753	22,201	105,189	30,828	3	9,670	16,429	25
	AEX1315*S6A^A	81,286	23,823	112,727	33,037	4	13,070	22,206	25
	AEX1605*S6A^A	99,167	29,063	137,997	40,443	4	12,970	22,036	25
	AEX1765*S6A^A	110,585	32,409	151,738	44,470	5	16,250	27,609	25

**Notes:**

\* = Voltage (see Nomenclature details)

^ = Motor Code Designator (see Nomenclature details)

# PERFORMANCE DATA

Magna Simulation Capacity: Air Defrost- 50 Hz

		Magna Simulation Capacity				Fan Data			Air Throw Per Side
		R-407A/R-407F		R-407C					
		Model	10°F TD/25°F SST 80% RH BTUH	6°C TD/-4°C SST 80% RH Watts	10°F TD/25°F SST 80% RH BTUH	6°C TD/-4°C SST 80% RH Watts	No. of Fans	CFM	m³H
4 Fins Per Inch	AEX0390*S4A^A	30,831	9,036	35,147	10,301	1	3,240	5,505	25
	AEX0580*S4A^A	47,472	13,913	52,153	15,285	2	6,530	11,095	25
	AEX0675*S4A^A	55,677	16,317	60,924	17,855	2	6,380	10,840	25
	AEX1050*S4A^A	84,586	24,790	94,431	27,675	3	9,670	16,429	25
	AEX1110*S4A^A	89,041	26,095	99,933	29,287	4	13,070	22,206	25
	AEX1385*S4A^A	111,203	32,590	124,476	36,480	4	12,970	22,036	25
	AEX1460*S4A^A	119,354	34,979	131,379	38,503	5	16,250	27,609	25
6 Fins Per Inch	AEX0475*S6A^A	39,361	11,536	42,972	12,594	1	3,240	5,505	25
	AEX0700*S6A^A	54,808	16,063	62,913	18,438	2	6,530	11,095	25
	AEX0805*S6A^A	63,608	18,642	72,376	21,211	2	6,380	10,840	25
	AEX1225*S6A^A	94,692	27,751	110,055	32,254	3	9,670	16,429	25
	AEX1315*S6A^A	101,608	29,778	118,353	34,686	4	13,070	22,206	25
	AEX1605*S6A^A	123,959	36,329	144,646	42,392	4	12,970	22,036	25
	AEX1765*S6A^A	138,231	40,512	158,730	46,519	5	16,250	27,609	25

**Notes:**

\* = Voltage (see Nomenclature details)

^ = Motor Code Designator (see Nomenclature details)



# SPECIFICATIONS

Air Defrost- 60 Hz

		Fixed Speed EC External Rotor & Variable Speed EC External Rotor									
		208-230/1/60					430/3/60				
	Model	No. of Fans	HP	Amps	Watts	MCA	MOPD	Amps	Watts	MCA	MOPD
4 Fins Per Inch	AEX0390*S4A^A	1	1	3.3	740	4.1	15	1.5	960	1.9	15
	AEX0580*S4A^A	2	1	6.6	1,480	7.3	15	3.0	1,920	3.4	15
	AEX0675*S4A^A	2	1	6.6	1,480	7.3	15	3.0	1,920	3.4	15
	AEX1050*S4A^A	3	1	9.9	2,220	7.3	15	4.5	2,880	4.9	15
	AEX1110*S4A^A	4	1	13.2	2,960	10.6	15	6.0	3,840	6.4	15
	AEX1385*S4A^A	4	1	13.2	2,960	10.6	15	6.0	3,840	6.4	15
AEX1460*S4A^A	5	1	16.5	3,700	13.8	15	7.5	4,800	7.9	15	
6 Fins Per Inch	AEX0475*S6A^A	1	1	3.3	740	4.1	15	1.5	960	1.9	15
	AEX0700*S6A^A	2	1	6.6	1,480	7.3	15	3.0	1,920	3.4	15
	AEX0805*S6A^A	2	1	6.6	1,480	7.3	15	3.0	1,920	3.4	15
	AEX1225*S6A^A	3	1	9.9	2,220	7.3	15	4.5	2,880	4.9	15
	AEX1315*S6A^A	4	1	13.2	2,960	10.6	15	6.0	3,840	6.4	15
	AEX1605*S6A^A	4	1	13.2	2,960	10.6	15	6.0	3,840	6.4	15
AEX1765*S6A^A	5	1	15	3,700	13.8	15	7.5	4,800	7.9	15	

		3 Phase AC Totally Enclosed Rail Mount									
		208-230/3/60					430/3/60				
	Model	No. of Fans	HP	Amps	Watts	MCA	MOPD	Amps	Watts	MCA	MOPD
4 Fins Per Inch	AEX0390*S4ATA	1	3/4	3.5	600	4.4	15	1.7	600	2.1	15
	AEX0580*S4ATA	2	3/4	7.0	1,200	7.9	15	3.4	1,200	3.8	15
	AEX0675*S4ATA	2	3/4	7.0	1,200	7.9	15	3.4	1,200	3.8	15
	AEX1050*S4ATA	3	3/4	10.5	1,800	11.4	15	5.1	1,800	5.5	15
	AEX1110*S4ATA	4	3/4	14.0	2,400	14.9	15	6.8	2,400	7.2	15
	AEX1385*S4ATA	4	3/4	14.0	2,400	14.9	15	6.8	2,400	7.2	15
AEX1460*S4ATA	5	3/4	17.5	3,000	18.4	20	8.5	3,000	8.9	15	
6 Fins Per Inch	AEX0475*S6ATA	1	3/4	3.5	600	4.4	15	1.7	600	2.1	15
	AEX0700*S6ATA	2	3/4	7.0	1,200	7.9	15	3.4	1,200	3.8	15
	AEX0805*S6ATA	2	3/4	7.0	1,200	7.9	15	3.4	1,200	3.8	15
	AEX1225*S6ATA	3	3/4	10.5	1,800	11.4	15	5.1	1,800	5.5	15
	AEX1315*S6ATA	4	3/4	14.0	2,400	14.9	15	6.8	2,400	7.2	15
	AEX1605*S6ATA	4	3/4	14.0	2,400	14.9	15	6.8	2,400	7.2	15
AEX1765*S6ATA	5	3/4	17.5	3,000	18.4	20	8.5	3,000	8.9	15	

**Notes:**

\* = Voltage (see Nomenclature details)

^ = Motor Code Designator (see Nomenclature details)

# SPECIFICATIONS

## Air Defrost- 60 Hz

		3 Phase AC Open Drip Proof Rail Mount									
		208-230/3/60					430/3/60				
	Model	No. of Fans	HP	Amps	Watts	MCA	MOPD	Amps	Watts	MCA	MOPD
4 Fins Per Inch	AEX0390*S4AYA	1	3/4	3.0	600	3.8	15	1.5	600	1.9	15
	AEX0580*S4AYA	2	3/4	6.0	1,200	6.8	15	3.0	1,200	3.4	15
	AEX0675*S4AYA	2	3/4	6.0	1,200	6.8	15	3.0	1,200	3.4	15
	AEX1050*S4AYA	3	3/4	9.0	1,800	9.8	15	4.5	1,800	4.9	15
	AEX1110*S4AYA	4	3/4	12.0	2,400	12.8	15	6.0	2,400	6.4	15
	AEX1385*S4AYA	4	3/4	12.0	2,400	12.8	15	6.0	2,400	6.4	15
6 Fins Per Inch	AEX1460*S4AYA	5	3/4	15.0	3,000	15.8	20	7.5	3,000	7.9	15
	AEX0475*S6AYA	1	3/4	3.0	600	3.8	15	1.5	600	1.9	15
	AEX0700*S6AYA	2	3/4	6.0	1,200	6.8	15	3.0	1,200	3.4	15
	AEX0805*S6AYA	2	3/4	6.0	1,200	6.8	15	3.0	1,200	3.4	15
	AEX1225*S6AYA	3	3/4	9.0	1,800	9.8	15	4.5	1,800	4.9	15
	AEX1315*S6AYA	4	3/4	12.0	2,400	12.8	15	6.0	2,400	6.4	15
AEX1605*S6AYA	4	3/4	12.0	2,400	12.8	15	6.0	2,400	6.4	15	
AEX1765*S6AYA	5	3/4	15.0	3,000	15.8	20	7.5	3,000	7.9	15	

		3 Phase AC Washdown Rail Mount									
		208-230/3/60					430/3/60				
	Model	No. of Fans	HP	Amps	Watts	MCA	MOPD	Amps	Watts	MCA	MOPD
4 Fins Per Inch	AEX0390*S4AWA	1	3/4	3.2	600	4.0	15	1.6	600	2.0	15
	AEX0580*S4AWA	2	3/4	6.4	1,200	7.2	15	3.2	1,200	3.6	15
	AEX0675*S4AWA	2	3/4	6.4	1,200	7.2	15	3.2	1,200	3.6	15
	AEX1050*S4AWA	3	3/4	9.6	1,800	10.4	15	4.8	1,800	5.2	15
	AEX1110*S4AWA	4	3/4	12.8	2,400	13.6	15	6.4	2,400	6.8	15
	AEX1385*S4AWA	4	3/4	12.8	2,400	13.6	15	6.4	2,400	6.8	15
6 Fins Per Inch	AEX1460*S4AWA	5	3/4	16.0	3,000	16.8	20	8.0	3,000	8.4	15
	AEX0475*S6AWA	1	3/4	3.2	600	4.0	15	1.6	600	2.0	15
	AEX0700*S6AWA	2	3/4	6.4	1,200	7.2	15	3.2	1,200	3.6	15
	AEX0805*S6AWA	2	3/4	6.4	1,200	7.2	15	3.2	1,200	3.6	15
	AEX1225*S6AWA	3	3/4	9.6	1,800	10.4	15	4.8	1,800	5.2	15
	AEX1315*S6AWA	4	3/4	12.8	2,400	13.6	15	6.4	2,400	6.8	15
AEX1605*S6AWA	4	3/4	12.8	2,400	13.6	15	6.4	2,400	6.8	15	
AEX1765*S6AWA	5	3/4	16.0	3,000	16.8	20	8.0	3,000	8.4	15	

### Notes:

\* = Voltage (see Nomenclature details)

# SPECIFICATIONS

Air Defrost- 50 Hz

		380-400/3/50									
		3 Phase AC Totally Enclosed Rail Mount						3 Phase AC Open Drip Proof Rail Mount			
	Model	No. of Fans	HP	Amps	Watts	MCA	MOPD	Amps	Watts	MCA	MOPD
4 Fins Per Inch	AEX0390XS4A^A	1	3/4	1.7	600	2.1	15	1.5	600	1.9	15
	AEX0580XS4A^A	2	3/4	3.4	1,200	3.8	15	3.0	1,200	3.4	15
	AEX0675XS4A^A	2	3/4	3.4	1,200	3.8	15	3.0	1,200	3.4	15
	AEX1050XS4A^A	3	3/4	5.1	1,800	5.5	15	4.5	1,800	4.9	15
	AEX1110XS4A^A	4	3/4	6.8	2,400	7.2	15	6.0	2,400	6.4	15
	AEX1385XS4A^A	4	3/4	6.8	2,400	7.2	15	6.0	2,400	6.4	15
	AEX1460XS4A^A	5	3/4	8.5	3,000	8.9	15	7.5	3,000	7.9	15
6 Fins Per Inch	AEX0475XS6A^A	1	3/4	2.1	600	2.1	15	1.5	600	1.9	15
	AEX0700XS6A^A	2	3/4	3.8	1,200	3.8	15	3.0	1,200	3.4	15
	AEX0805XS6A^A	2	3/4	3.8	1,200	3.8	15	3.0	1,200	3.4	15
	AEX1225XS6A^A	3	3/4	5.5	1,800	5.5	15	4.5	1,800	4.9	15
	AEX1315XS6A^A	4	3/4	7.2	2,400	7.2	15	6.0	2,400	6.4	15
	AEX1605XS6A^A	4	3/4	7.2	2,400	7.2	15	6.0	2,400	6.4	15
	AEX1765XS6A^A	5	3/4	8.9	3,000	8.9	15	7.5	3,000	7.9	15

		380-400/3/50										
		3 Phase AC Washdown Rail Mount						Fixed Speed EC External Rotor & Variable Speed EC External Rotor				
	Model	No. of Fans	HP	Amps	Watts	MCA	MOPD	HP	Amps	Watts	MCA	MOPD
4 Fins Per Inch	AEX0390XS4A^A	1	3/4	1.6	600	2.0	15	1	1.5	960	1.9	15
	AEX0580XS4A^A	2	3/4	3.2	1,200	3.6	15	1	3.0	1,920	3.4	15
	AEX0675XS4A^A	2	3/4	3.2	1,200	3.6	15	1	3.0	1,920	3.4	15
	AEX1050XS4A^A	3	3/4	4.8	1,800	5.2	15	1	4.5	2,880	4.9	15
	AEX1110XS4A^A	4	3/4	6.4	2,400	6.8	15	1	6.0	3,840	6.4	15
	AEX1385XS4A^A	4	3/4	6.4	2,400	6.8	15	1	6.0	3,840	6.4	15
	AEX1460XS4A^A	5	3/4	8.0	3,000	8.4	15	1	7.5	4,800	7.9	15
6 Fins Per Inch	AEX0475XS6A^A	1	3/4	1.6	600	2.0	15	1	1.5	960	1.9	15
	AEX0700XS6A^A	2	3/4	3.2	1,200	3.6	15	1	3.0	1,920	3.4	15
	AEX0805XS6A^A	2	3/4	3.2	1,200	3.6	15	1	3.0	1,920	3.4	15
	AEX1225XS6A^A	3	3/4	4.8	1,800	5.2	15	1	4.5	2,880	4.9	15
	AEX1315XS6A^A	4	3/4	6.4	2,400	6.8	15	1	6.0	3,840	6.4	15
	AEX1605XS6A^A	4	3/4	6.4	2,400	6.8	15	1	6.0	3,840	6.4	15
	AEX1765XS6A^A	5	3/4	8.0	3,000	8.4	15	1	7.5	4,800	7.9	15

**Notes:**

^ = Motor Code Designator (see Nomenclature details)

# PERFORMANCE DATA

Magna Simulation Capacity: Electric Defrost- 60 Hz

		Magna Simulation Capacity				Fan Data			Air Throw Per Side
		R-404A/R-507A		R-448A/R-449A					
		Model	10°F TD/25°F SST 80% RH BTUH	6°C TD/-4°C SST 80% RH Watts	10°F TD/25°F SST 80% RH BTUH	6°C TD/-4°C SST 80% RH Watts	No. of Fans	CFM	m³H
3 Fins Per Inch	AEX0325*S3E^A	22,838	6,693	32,167	9,427	1	3,890	6,609	25
	AEX0505*S3E^A	37,550	11,005	48,680	14,267	2	7,840	13,320	25
	AEX0595*S3E^A	43,910	12,869	57,332	16,802	2	7,660	13,014	25
	AEX0930*S3E^A	68,338	20,028	89,562	26,248	3	11,600	19,709	25
	AEX0975*S3E^A	71,600	20,984	94,087	27,574	4	15,680	26,640	25
	AEX1230*S3E^A	89,958	26,364	118,382	34,694	4	15,560	26,437	25
	AEX1620*S3E^A	119,677	35,074	156,777	45,947	5	19,200	32,621	25
4 Fins Per Inch	AEX0390*S4E^A	27,405	8,032	37,983	11,132	1	3,890	6,609	25
	AEX0580*S4E^A	42,197	12,367	55,775	16,346	2	7,840	13,320	25
	AEX0675*S4E^A	49,490	14,504	65,157	19,096	2	7,660	13,014	25
	AEX1050*S4E^A	75,187	22,035	100,572	29,475	3	11,600	19,709	25
	AEX1110*S4E^A	79,147	23,196	106,645	31,255	4	15,680	26,640	25
	AEX1385*S4E^A	98,847	28,969	132,817	38,925	4	15,560	26,437	25
	AEX1460*S4E^A	106,092	31,093	140,520	41,182	5	19,500	33,131	25
6 Fins Per Inch	AEX0475*S6E^A	34,987	10,254	46,225	13,547	1	3,890	6,609	25
	AEX0700*S6E^A	48,718	14,278	66,797	19,576	2	7,840	13,320	25
	AEX0805*S6E^A	56,540	16,570	77,097	22,595	2	7,660	13,014	25
	AEX1225*S6E^A	84,170	24,668	116,877	34,253	3	11,600	19,709	25
	AEX1315*S6E^A	90,318	26,470	125,252	36,708	4	15,680	26,640	25
	AEX1605*S6E^A	110,185	32,292	153,330	44,937	4	15,560	26,437	25
	AEX1765*S6E^A	122,872	36,010	168,598	49,411	5	19,500	33,131	25

**Notes:**

\* = Voltage (see Nomenclature details)

^ = Motor Code Designator (see Nomenclature details)

# PERFORMANCE DATA

Magna Simulation Capacity: Electric Defrost- 60 Hz

		Magna Simulation Capacity				Fan Data			Air Throw Per Side
		R-407A / R-407F		R-407C					
		Model	10°F TD/25°F SST 80% RH BTUH	6°C TD/-4°C SST 80% RH Watts	10°F TD/25°F SST 80% RH BTUH	6°C TD/-4°C SST 80% RH Watts	No. of Fans	CFM	m³H
3 Fins Per Inch	AEX0325*S3E^A	28,548	8,367	32,558	9,542	1	3,890	6,609	25
	AEX0505*S3E^A	46,938	13,756	50,405	14,772	2	7,840	13,320	25
	AEX0595*S3E^A	54,888	16,086	59,325	17,386	2	7,660	13,014	25
	AEX0930*S3E^A	85,423	25,035	92,902	27,227	3	11,600	19,709	25
	AEX0975*S3E^A	89,500	26,230	97,652	28,619	4	15,680	26,640	25
	AEX1230*S3E^A	112,448	32,955	123,137	36,088	4	15,560	26,437	25
	AEX1620*S3E^A	149,597	43,843	162,197	47,535	5	19,200	32,621	25
4 Fins Per Inch	AEX0390*S4E^A	34,257	10,040	39,052	11,445	1	3,890	6,609	25
	AEX0580*S4E^A	52,747	15,459	57,948	16,983	2	7,840	13,320	25
	AEX0675*S4E^A	61,863	18,130	67,693	19,839	2	7,660	13,014	25
	AEX1050*S4E^A	93,984	27,544	104,923	30,750	3	11,600	19,709	25
	AEX1110*S4E^A	98,934	28,995	111,037	32,542	4	15,680	26,640	25
	AEX1385*S4E^A	123,559	36,212	138,307	40,534	4	15,560	26,437	25
	AEX1460*S4E^A	132,615	38,866	145,977	42,782	5	19,500	33,131	25
6 Fins Per Inch	AEX0475*S6E^A	43,734	12,817	47,747	13,993	1	3,890	6,609	25
	AEX0700*S6E^A	60,898	17,847	69,903	20,487	2	7,840	13,320	25
	AEX0805*S6E^A	70,675	20,713	80,418	23,568	2	7,660	13,014	25
	AEX1225*S6E^A	105,213	30,835	122,283	35,838	3	11,600	19,709	25
	AEX1315*S6E^A	112,898	33,087	131,503	38,540	4	15,680	26,640	25
	AEX1605*S6E^A	137,732	40,365	160,718	47,102	4	15,560	26,437	25
	AEX1765*S6E^A	153,590	45,013	176,367	51,688	5	19,500	33,131	25

**Notes:**

\* = Voltage (see Nomenclature details)

^ = Motor Code Designator (see Nomenclature details)

# PERFORMANCE DATA

Magna Simulation Capacity: Electric Defrost- 50 Hz

		Magna Simulation Capacity				Fan Data			Air Throw Per Side
		R-404A/R-507A		R-448A/R-449A					
		Model	10°F TD/25°F SST 80% RH BTUH	6°C TD/-4°C SST 80% RH Watts	10°F TD/25°F SST 80% RH BTUH	6°C TD/-4°C SST 80% RH Watts	No. of Fans	CFM	m³H
3 Fins Per Inch	AEX0325*S3E^A	20,554	6,024	28,950	8,484	1	3,240	5,505	25
	AEX0505*S3E^A	33,795	9,904	43,812	12,840	2	6,530	11,095	25
	AEX0595*S3E^A	39,519	11,582	51,599	15,122	2	6,380	10,840	25
	AEX0930*S3E^A	61,504	18,025	80,606	23,623	3	9,670	16,429	25
	AEX0975*S3E^A	64,440	18,886	84,678	24,817	4	13,070	22,206	25
	AEX1230*S3E^A	80,962	23,728	106,544	31,225	4	12,970	22,036	25
	AEX1620*S3E^A	107,709	31,566	141,099	41,352	5	16,000	27,184	25
4 Fins Per Inch	AEX0390*S4E^A	24,665	7,229	34,185	10,019	1	3,240	5,505	25
	AEX0580*S4E^A	37,977	11,130	50,198	14,712	2	6,530	11,095	25
	AEX0675*S4E^A	44,541	13,054	58,641	17,186	2	6,380	10,840	25
	AEX1050*S4E^A	67,668	19,832	90,515	26,527	3	9,670	16,429	25
	AEX1110*S4E^A	71,232	20,876	95,981	28,129	4	13,070	22,206	25
	AEX1385*S4E^A	88,962	26,072	119,535	35,032	4	12,970	22,036	25
	AEX1460*S4E^A	95,483	27,983	126,468	37,064	5	16,250	27,609	25
6 Fins Per Inch	AEX0475*S6E^A	31,488	9,228	41,603	12,193	1	3,240	5,505	25
	AEX0700*S6E^A	43,846	12,850	60,117	17,619	2	6,530	11,095	25
	AEX0805*S6E^A	50,886	14,913	69,387	20,335	2	6,380	10,840	25
	AEX1225*S6E^A	75,753	22,201	105,189	30,828	3	9,670	16,429	25
	AEX1315*S6E^A	81,286	23,823	112,727	33,037	4	13,070	22,206	25
	AEX1605*S6E^A	99,167	29,063	137,997	40,443	4	12,970	22,036	25
	AEX1765*S6E^A	110,585	32,409	151,738	44,470	5	16,250	27,609	25

**Notes:**

\* = Voltage (see Nomenclature details)

^ = Motor Code Designator (see Nomenclature details)

# PERFORMANCE DATA

Magna Simulation Capacity: Electric Defrost- 50 Hz

		Magna Simulation Capacity				Fan Data			Air Throw Per Side
		R-407A / R-407F		R-407C					
		Model	10°F TD/25°F SST 80% RH BTUH	6°C TD/-4°C SST 80% RH Watts	10°F TD/25°F SST 80% RH BTUH	6°C TD/-4°C SST 80% RH Watts	No. of Fans	CFM	m³H
3 Fins Per Inch	AEX0325*S3E^A	25,693	7,530	29,302	8,588	1	3,240	5,505	25
	AEX0505*S3E^A	42,244	12,380	45,365	13,295	2	6,530	11,095	25
	AEX0595*S3E^A	49,399	14,477	53,393	15,648	2	6,380	10,840	25
	AEX0930*S3E^A	76,881	22,532	83,612	24,504	3	9,670	16,429	25
	AEX0975*S3E^A	80,550	23,607	87,887	25,757	4	13,070	22,206	25
	AEX1230*S3E^A	101,203	29,660	110,823	32,479	4	12,970	22,036	25
	AEX1620*S3E^A	134,637	39,458	145,977	42,782	5	16,000	27,184	25
4 Fins Per Inch	AEX0390*S4E^A	30,831	9,036	35,147	10,301	1	3,240	5,505	25
	AEX0580*S4E^A	47,472	13,913	52,153	15,285	2	6,530	11,095	25
	AEX0675*S4E^A	55,677	16,317	60,924	17,855	2	6,380	10,840	25
	AEX1050*S4E^A	84,586	24,790	94,431	27,675	3	9,670	16,429	25
	AEX1110*S4E^A	89,041	26,095	99,933	29,287	4	13,070	22,206	25
	AEX1385*S4E^A	111,203	32,590	124,476	36,480	4	12,970	22,036	25
	AEX1460*S4E^A	119,354	34,979	131,379	38,503	5	16,250	27,609	25
6 Fins Per Inch	AEX0475*S6E^A	39,361	11,536	42,972	12,594	1	3,240	5,505	25
	AEX0700*S6E^A	54,808	16,063	62,913	18,438	2	6,530	11,095	25
	AEX0805*S6E^A	63,608	18,642	72,376	21,211	2	6,380	10,840	25
	AEX1225*S6E^A	94,692	27,751	110,055	32,254	3	9,670	16,429	25
	AEX1315*S6E^A	101,608	29,778	118,353	34,686	4	13,070	22,206	25
	AEX1605*S6E^A	123,959	36,329	144,646	42,392	4	12,970	22,036	25
	AEX1765*S6E^A	138,231	40,512	158,730	46,519	5	16,250	27,609	25

**Notes:**

\* = Voltage (see Nomenclature details)

^ = Motor Code Designator (see Nomenclature details)

# SPECIFICATIONS

## Electric Defrost- 60 Hz

		Fixed Speed EC External Rotor & Variable Speed EC External Rotor						Defrost Heaters			
		208-230/1/60						No. of Heaters	Total Watts	230V/60 Hz	460V/60 Hz
Model	No. of Fans	HP	Amps	Watts	MCA	MOPD	Total Amps				
3 Fins Per Inch	AEX0325*S3E^A	1	1	3.3	740	4.1	15	6	5,700	14.3	7.2
	AEX0505*S3E^A	2	1	6.6	1,480	7.3	15	6	10,200	25.6	12.8
	AEX0595*S3E^A	2	1	6.6	1,480	7.3	15	6	10,200	25.6	12.8
	AEX0930*S3E^A	3	1	9.9	2,220	7.3	15	6	15,300	38.4	19.2
	AEX0975*S3E^A	4	1	13.2	2,960	10.6	15	6	19,800	49.7	24.9
	AEX1230*S3E^A	4	1	13.2	2,960	10.6	15	6	19,800	49.7	24.9
	AEX1620*S3E^A	5	1	16.5	3,700	13.8	15	6	34,200	85.9	42.9
4 Fins Per Inch	AEX0390*S4E^A	1	1	3.3	740	4.1	15	6	5,700	14.3	7.2
	AEX0580*S4E^A	2	1	6.6	1,480	7.3	15	6	10,200	25.6	12.8
	AEX0675*S4E^A	2	1	6.6	1,480	7.3	15	6	10,200	25.6	12.8
	AEX1050*S4E^A	3	1	9.9	2,220	7.3	15	6	15,300	38.4	19.2
	AEX1110*S4E^A	4	1	13.2	2,960	10.6	15	6	19,800	49.7	24.9
	AEX1385*S4E^A	4	1	13.2	2,960	10.6	15	6	19,800	49.7	24.9
	AEX1460*S4E^A	5	1	16.5	3,700	13.8	15	6	34,200	85.9	42.9
6 Fins Per Inch	AEX0475*S6E^A	1	1	3.3	740	4.1	15	6	5,700	14.3	7.2
	AEX0700*S6E^A	2	1	6.6	1,480	7.3	15	6	10,200	25.6	12.8
	AEX0805*S6E^A	2	1	6.6	1,480	7.3	15	6	10,200	25.6	12.8
	AEX1225*S6E^A	3	1	9.9	2,220	7.3	15	6	15,300	38.4	19.2
	AEX1315*S6E^A	4	1	13.2	2,960	10.6	15	6	19,800	49.7	24.9
	AEX1605*S6E^A	4	1	13.2	2,960	10.6	15	6	19,800	49.7	24.9
	AEX1765*S6E^A	5	1	16.5	3,700	13.8	15	6	34,200	85.9	42.9

**Notes:**

\* = Voltage (see Nomenclature details)

^ = Motor Code Designator (see Nomenclature details)



# SPECIFICATIONS

## Electric Defrost- 60 Hz

			Fixed Speed EC External Rotor & Variable Speed EC External Rotor					Defrost Heaters			
			460/3/60					No. of Heaters	Total Watts	230V/60 Hz	460V/60 Hz
Model	No. of Fans	HP	Amps	Watts	MCA	MOPD	Total Amps				
3 Fins Per Inch	AEX0325*S3E^A	1	1	1.5	960	1.9	15	6	5,700	14.3	7.2
	AEX0505*S3E^A	2	1	3.0	1,920	3.4	15	6	10,200	25.6	12.8
	AEX0595*S3E^A	2	1	3.0	1,920	3.4	15	6	10,200	25.6	12.8
	AEX0930*S3E^A	3	1	4.5	2,880	4.9	15	6	15,300	38.4	19.2
	AEX0975*S3E^A	4	1	6.0	3,840	6.4	15	6	19,800	49.7	24.9
	AEX1230*S3E^A	4	1	6.0	3,840	6.4	15	6	19,800	49.7	24.9
	AEX1620*S3E^A	5	1	7.5	4,800	7.9	15	6	34,200	85.9	42.9
4 Fins Per Inch	AEX0390*S4E^A	1	1	1.5	960	1.9	15	6	5,700	14.3	7.2
	AEX0580*S4E^A	2	1	3.0	1,920	3.4	15	6	10,200	25.6	12.8
	AEX0675*S4E^A	2	1	3.0	1,920	3.4	15	6	10,200	25.6	12.8
	AEX1050*S4E^A	3	1	4.5	2,880	4.9	15	6	15,300	38.4	19.2
	AEX1110*S4E^A	4	1	6.0	3,840	6.4	15	6	19,800	49.7	24.9
	AEX1385*S4E^A	4	1	6.0	3,840	6.4	15	6	19,800	49.7	24.9
	AEX1460*S4E^A	5	1	7.5	4,800	7.9	15	6	34,200	85.9	42.9
6 Fins Per Inch	AEX0475*S6E^A	1	1	1.5	960	1.9	15	6	5,700	14.3	7.2
	AEX0700*S6E^A	2	1	3.0	1,920	3.4	15	6	10,200	25.6	12.8
	AEX0805*S6E^A	2	1	3.0	1,920	3.4	15	6	10,200	25.6	12.8
	AEX1225*S6E^A	3	1	4.5	2,880	4.9	15	6	15,300	38.4	19.2
	AEX1315*S6E^A	4	1	6.0	3,840	6.4	15	6	19,800	49.7	24.9
	AEX1605*S6E^A	4	1	6.0	3,840	6.4	15	6	19,800	49.7	24.9
	AEX1765*S6E^A	5	1	7.5	4,800	7.9	15	6	34,200	85.9	42.9

**Notes:**

\* = Voltage (see Nomenclature details)

^ = Motor Code Designator (see Nomenclature details)

# SPECIFICATIONS

## Electric Defrost- 60 Hz

			3 Phase AC Totally Enclosed Rail Mount					Defrost Heaters			
			208-230/3/60					No. of Heaters	Total Watts	230V/60 Hz	460V/60 Hz
Model	No. of Fans	HP	Amps	Watts	MCA	MOPD	Total Amps				
3 Fins Per Inch	AEX0325*S3ETA	1	3/4	3.5	600	4.4	15	6	5,700	14.3	7.2
	AEX0505*S3ETA	2	3/4	7.0	1,200	7.9	15	6	10,200	25.6	12.8
	AEX0595*S3ETA	2	3/4	7.0	1,200	7.9	15	6	10,200	25.6	12.8
	AEX0930*S3ETA	3	3/4	10.5	1,800	11.4	15	6	15,300	38.4	19.2
	AEX0975*S3ETA	4	3/4	14.0	2,400	14.9	15	6	19,800	49.7	24.9
	AEX1230*S3ETA	4	3/4	14.0	2,400	14.9	15	6	19,800	49.7	24.9
	AEX1620*S3ETA	5	3/4	17.5	3,000	18.4	20	6	34,200	85.9	42.9
4 Fins Per Inch	AEX0390*S4ETA	1	3/4	3.5	600	4.4	15	6	5,700	14.3	7.2
	AEX0580*S4ETA	2	3/4	7.0	1,200	7.9	15	6	10,200	25.6	12.8
	AEX0675*S4ETA	2	3/4	7.0	1,200	7.9	15	6	10,200	25.6	12.8
	AEX1050*S4ETA	3	3/4	10.5	1,800	11.4	15	6	15,300	38.4	19.2
	AEX1110*S4ETA	4	3/4	14.0	2,400	14.9	15	6	19,800	49.7	24.9
	AEX1385*S4ETA	4	3/4	14.0	2,400	14.9	15	6	19,800	49.7	24.9
	AEX1460*S4ETA	5	3/4	17.5	3,000	18.4	20	6	34,200	85.9	42.9
6 Fins Per Inch	AEX0475*S6ETA	1	3/4	3.5	600	4.4	15	6	5,700	14.3	7.2
	AEX0700*S6ETA	2	3/4	7.0	1,200	7.9	15	6	10,200	25.6	12.8
	AEX0805*S6ETA	2	3/4	7.0	1,200	7.9	15	6	10,200	25.6	12.8
	AEX1225*S6ETA	3	3/4	10.5	1,800	11.4	15	6	15,300	38.4	19.2
	AEX1315*S6ETA	4	3/4	14.0	2,400	14.9	15	6	19,800	49.7	24.9
	AEX1605*S6ETA	4	3/4	14.0	2,400	14.9	15	6	19,800	49.7	24.9
	AEX1765*S6ETA	5	3/4	17.5	3,000	18.4	20	6	34,200	85.9	42.9

**Notes:**

\* = Voltage (see Nomenclature details)

^ = Motor Code Designator (see Nomenclature details)

# SPECIFICATIONS

## Electric Defrost- 60 Hz

			3 Phase AC Totally Enclosed Rail Mount				Defrost Heaters				
			460/3/60				No. of Heaters	Total Watts	230V/60 Hz	460V/60 Hz	
Model	No. of Fans	HP	Amps	Watts	MCA	MOPD			Total Amps		
3 Fins Per Inch	AEX0325*S3ETA	1	3/4	1.7	600	2.1	15	6	5,700	14.3	7.2
	AEX0505*S3ETA	2	3/4	3.4	1,200	3.8	15	6	10,200	25.6	12.8
	AEX0595*S3ETA	2	3/4	3.4	1,200	3.8	15	6	10,200	25.6	12.8
	AEX0930*S3ETA	3	3/4	5.1	1,800	5.5	15	6	15,300	38.4	19.2
	AEX0975*S3ETA	4	3/4	6.8	2,400	7.2	15	6	19,800	49.7	24.9
	AEX1230*S3ETA	4	3/4	6.8	2,400	7.2	15	6	19,800	49.7	24.9
AEX1620*S3ETA	5	3/4	8.5	3,000	8.9	15	6	34,200	85.9	42.9	
4 Fins Per Inch	AEX0390*S4ETA	1	3/4	1.7	600	2.1	15	6	5,700	14.3	7.2
	AEX0580*S4ETA	2	3/4	3.4	1,200	3.8	15	6	10,200	25.6	12.8
	AEX0675*S4ETA	2	3/4	3.4	1,200	3.8	15	6	10,200	25.6	12.8
	AEX1050*S4ETA	3	3/4	5.1	1,800	5.5	15	6	15,300	38.4	19.2
	AEX1110*S4ETA	4	3/4	6.8	2,400	7.2	15	6	19,800	49.7	24.9
	AEX1385*S4ETA	4	3/4	6.8	2,400	7.2	15	6	19,800	49.7	24.9
AEX1460*S4ETA	5	3/4	8.5	3,000	8.9	15	6	34,200	85.9	42.9	
6 Fins Per Inch	AEX0475*S6ETA	1	3/4	1.7	600	2.1	15	6	5,700	14.3	7.2
	AEX0700*S6ETA	2	3/4	3.4	1,200	3.8	15	6	10,200	25.6	12.8
	AEX0805*S6ETA	2	3/4	3.4	1,200	3.8	15	6	10,200	25.6	12.8
	AEX1225*S6ETA	3	3/4	5.1	1,800	5.5	15	6	15,300	38.4	19.2
	AEX1315*S6ETA	4	3/4	6.8	2,400	7.2	15	6	19,800	49.7	24.9
	AEX1605*S6ETA	4	3/4	6.8	2,400	7.2	15	6	19,800	49.7	24.9
AEX1765*S6ETA	5	3/4	8.5	3,000	8.9	15	6	34,200	85.9	42.9	

**Notes:**

\* = Voltage (see Nomenclature details)

^ = Motor Code Designator (see Nomenclature details)

# SPECIFICATIONS

## Electric Defrost- 60 Hz

			3 Phase AC Open Drip Proof Rail Mount					Defrost Heaters			
			208-230/3/60					No. of Heaters	Total Watts	230V/60 Hz	460V/60 Hz
Model	No. of Fans	HP	Amps	Watts	MCA	MOPD	Total Amps				
3 Fins Per Inch	AEX0325*S3EYA	1	3/4	3.0	600	3.8	15	6	5,700	14.3	7.2
	AEX0505*S3EYA	2	3/4	6.0	1,200	6.8	15	6	10,200	25.6	12.8
	AEX0595*S3EYA	2	3/4	6.0	1,200	6.8	15	6	10,200	25.6	12.8
	AEX0930*S3EYA	3	3/4	9.0	1,800	9.8	15	6	15,300	38.4	19.2
	AEX0975*S3EYA	4	3/4	12.0	2,400	12.8	15	6	19,800	49.7	24.9
	AEX1230*S3EYA	4	3/4	12.0	2,400	12.8	15	6	19,800	49.7	24.9
AEX1620*S3EYA	5	3/4	15.0	3,000	15.8	20	6	34,200	85.9	42.9	
4 Fins Per Inch	AEX0390*S4EYA	1	3/4	3.0	600	3.8	15	6	5,700	14.3	7.2
	AEX0580*S4EYA	2	3/4	6.0	1,200	6.8	15	6	10,200	25.6	12.8
	AEX0675*S4EYA	2	3/4	6.0	1,200	6.8	15	6	10,200	25.6	12.8
	AEX1050*S4EYA	3	3/4	9.0	1,800	9.8	15	6	15,300	38.4	19.2
	AEX1110*S4EYA	4	3/4	12.0	2,400	12.8	15	6	19,800	49.7	24.9
	AEX1385*S4EYA	4	3/4	12.0	2,400	12.8	15	6	19,800	49.7	24.9
AEX1460*S4EYA	5	3/4	15.0	3,000	15.8	20	6	34,200	85.9	42.9	
6 Fins Per Inch	AEX0475*S6EYA	1	3/4	3.0	600	3.8	15	6	5,700	14.3	7.2
	AEX0700*S6EYA	2	3/4	6.0	1,200	6.8	15	6	10,200	25.6	12.8
	AEX0805*S6EYA	2	3/4	6.0	1,200	6.8	15	6	10,200	25.6	12.8
	AEX1225*S6EYA	3	3/4	9.0	1,800	9.8	15	6	15,300	38.4	19.2
	AEX1315*S6EYA	4	3/4	12.0	2,400	12.8	15	6	19,800	49.7	24.9
	AEX1605*S6EYA	4	3/4	12.0	2,400	12.8	15	6	19,800	49.7	24.9
AEX1765*S6EYA	5	3/4	15.0	3,000	15.8	20	6	34,200	85.9	42.9	

**Notes:**

\* = Voltage (see Nomenclature details)

^ = Motor Code Designator (see Nomenclature details)

# SPECIFICATIONS

## Electric Defrost- 60 Hz

			3 Phase AC Open Drip Proof Rail Mount					Defrost Heaters			
			460/3/60					No. of Heaters	Total Watts	230V/60 Hz	460V/60 Hz
Model	No. of Fans	HP	Amps	Watts	MCA	MOPD	Total Amps				
3 Fins Per Inch	AEX0325*S3EYA	1	3/4	1.5	600	1.9	15	6	5,700	14.3	7.2
	AEX0505*S3EYA	2	3/4	3.0	1,200	3.4	15	6	10,200	25.6	12.8
	AEX0595*S3EYA	2	3/4	3.0	1,200	3.4	15	6	10,200	25.6	12.8
	AEX0930*S3EYA	3	3/4	4.5	1,800	4.9	15	6	15,300	38.4	19.2
	AEX0975*S3EYA	4	3/4	6.0	2,400	6.4	15	6	19,800	49.7	24.9
	AEX1230*S3EYA	4	3/4	6.0	2,400	6.4	15	6	19,800	49.7	24.9
AEX1620*S3EYA	5	3/4	7.5	3,000	7.9	15	6	34,200	85.9	42.9	
4 Fins Per Inch	AEX0390*S4EYA	1	3/4	1.5	600	1.9	15	6	5,700	14.3	7.2
	AEX0580*S4EYA	2	3/4	3.0	1,200	3.4	15	6	10,200	25.6	12.8
	AEX0675*S4EYA	2	3/4	3.0	1,200	3.4	15	6	10,200	25.6	12.8
	AEX1050*S4EYA	3	3/4	4.5	1,800	4.9	15	6	15,300	38.4	19.2
	AEX1110*S4EYA	4	3/4	6.0	2,400	6.4	15	6	19,800	49.7	24.9
	AEX1385*S4EYA	4	3/4	6.0	2,400	6.4	15	6	19,800	49.7	24.9
AEX1460*S4EYA	5	3/4	7.5	3,000	7.9	15	6	34,200	85.9	42.9	
6 Fins Per Inch	AEX0475*S6EYA	1	3/4	1.5	600	1.9	15	6	5,700	14.3	7.2
	AEX0700*S6EYA	2	3/4	3.0	1,200	3.4	15	6	10,200	25.6	12.8
	AEX0805*S6EYA	2	3/4	3.0	1,200	3.4	15	6	10,200	25.6	12.8
	AEX1225*S6EYA	3	3/4	4.5	1,800	4.9	15	6	15,300	38.4	19.2
	AEX1315*S6EYA	4	3/4	6.0	2,400	6.4	15	6	19,800	49.7	24.9
	AEX1605*S6EYA	4	3/4	6.0	2,400	6.4	15	6	19,800	49.7	24.9
AEX1765*S6EYA	5	3/4	7.5	3,000	7.9	15	6	34,200	85.9	42.9	

**Notes:**

\* = Voltage (see Nomenclature details)

^ = Motor Code Designator (see Nomenclature details)

# SPECIFICATIONS

## Electric Defrost- 60 Hz

			3 Phase AC Washdown Rail Mount				Defrost Heaters				
			208-230/3/60				No. of Heaters	Total Watts	230V/60 Hz	460V/60 Hz	
Model	No. of Fans	HP	Amps	Watts	MCA	MOPD			Total Amps		
3 Fins Per Inch	AEX0325*S3EWA	1	3/4	3.2	600	4.0	15	6	5,700	14.3	7.2
	AEX0505*S3EWA	2	3/4	6.4	1,200	7.2	15	6	10,200	25.6	12.8
	AEX0595*S3EWA	2	3/4	6.4	1,200	7.2	15	6	10,200	25.6	12.8
	AEX0930*S3EWA	3	3/4	9.6	1,800	10.4	15	6	15,300	38.4	19.2
	AEX0975*S3EWA	4	3/4	12.8	2,400	13.6	15	6	19,800	49.7	24.9
	AEX1230*S3EWA	4	3/4	12.8	2,400	13.6	15	6	19,800	49.7	24.9
AEX1620*S3EWA	5	3/4	16.0	3,000	16.8	20	6	34,200	85.9	42.9	
4 Fins Per Inch	AEX0390*S4EWA	1	3/4	3.2	600	4.0	15	6	5,700	14.3	7.2
	AEX0580*S4EWA	2	3/4	6.4	1,200	7.2	15	6	10,200	25.6	12.8
	AEX0675*S4EWA	2	3/4	6.4	1,200	7.2	15	6	10,200	25.6	12.8
	AEX1050*S4EWA	3	3/4	9.6	1,800	10.4	15	6	15,300	38.4	19.2
	AEX1110*S4EWA	4	3/4	12.8	2,400	13.6	15	6	19,800	49.7	24.9
	AEX1385*S4EWA	4	3/4	12.8	2,400	13.6	15	6	19,800	49.7	24.9
AEX1460*S4EWA	5	3/4	16.0	3,000	16.8	20	6	34,200	85.9	42.9	
6 Fins Per Inch	AEX0475*S6EWA	1	3/4	3.2	600	4.0	15	6	5,700	14.3	7.2
	AEX0700*S6EWA	2	3/4	6.4	1,200	7.2	15	6	10,200	25.6	12.8
	AEX0805*S6EWA	2	3/4	6.4	1,200	7.2	15	6	10,200	25.6	12.8
	AEX1225*S6EWA	3	3/4	9.6	1,800	10.4	15	6	15,300	38.4	19.2
	AEX1315*S6EWA	4	3/4	12.8	2,400	13.6	15	6	19,800	49.7	24.9
	AEX1605*S6EWA	4	3/4	12.8	2,400	13.6	15	6	19,800	49.7	24.9
AEX1765*S6EWA	5	3/4	16.0	3,000	16.8	20	6	34,200	85.9	42.9	

**Notes:**

\* = Voltage (see Nomenclature details)

^ = Motor Code Designator (see Nomenclature details)

# SPECIFICATIONS

## Electric Defrost- 60 Hz

			3 Phase AC Washdown Rail Mount				Defrost Heaters				
			460/3/60				No. of Heaters	Total Watts	230V/60 Hz	460V/60 Hz	
Model	No. of Fans	HP	Amps	Watts	MCA	MOPD			Total Amps		
3 Fins Per Inch	AEX0325*S3EWA	1	3/4	1.6	600	2.0	15	6	5,700	14.3	7.2
	AEX0505*S3EWA	2	3/4	3.2	1,200	3.6	15	6	10,200	25.6	12.8
	AEX0595*S3EWA	2	3/4	3.2	1,200	3.6	15	6	10,200	25.6	12.8
	AEX0930*S3EWA	3	3/4	4.8	1,800	5.2	15	6	15,300	38.4	19.2
	AEX0975*S3EWA	4	3/4	6.4	2,400	6.8	15	6	19,800	49.7	24.9
	AEX1230*S3EWA	4	3/4	6.4	2,400	6.8	15	6	19,800	49.7	24.9
AEX1620*S3EWA	5	3/4	8.0	3,000	8.4	15	6	34,200	85.9	42.9	
4 Fins Per Inch	AEX0390*S4EWA	1	3/4	1.6	600	2.0	15	6	5,700	14.3	7.2
	AEX0580*S4EWA	2	3/4	3.2	1,200	3.6	15	6	10,200	25.6	12.8
	AEX0675*S4EWA	2	3/4	3.2	1,200	3.6	15	6	10,200	25.6	12.8
	AEX1050*S4EWA	3	3/4	4.8	1,800	5.2	15	6	15,300	38.4	19.2
	AEX1110*S4EWA	4	3/4	6.4	2,400	6.8	15	6	19,800	49.7	24.9
	AEX1385*S4EWA	4	3/4	6.4	2,400	6.8	15	6	19,800	49.7	24.9
AEX1460*S4EWA	5	3/4	8.0	3,000	8.4	15	6	34,200	85.9	42.9	
6 Fins Per Inch	AEX0475*S6EWA	1	3/4	1.6	600	2.0	15	6	5,700	14.3	7.2
	AEX0700*S6EWA	2	3/4	3.2	1,200	3.6	15	6	10,200	25.6	12.8
	AEX0805*S6EWA	2	3/4	3.2	1,200	3.6	15	6	10,200	25.6	12.8
	AEX1225*S6EWA	3	3/4	4.8	1,800	5.2	15	6	15,300	38.4	19.2
	AEX1315*S6EWA	4	3/4	6.4	2,400	6.8	15	6	19,800	49.7	24.9
	AEX1605*S6EWA	4	3/4	6.4	2,400	6.8	15	6	19,800	49.7	24.9
AEX1765*S6EWA	5	3/4	8.0	3,000	8.4	15	6	34,200	85.9	42.9	

**Notes:**

\* = Voltage (see Nomenclature details)

# SPECIFICATIONS

Electric Defrost- 50 Hz

			380-400/3/50				Defrost Heaters			
			3 Phase AC Totally Enclosed Rail Mount				No. of Heaters	Total Watts	380V/50 Hz	
Model	No. of Fans	HP	Amps	Watts	MCA	MOPD			Total Amps	
3 Fins Per Inch	AEX0325XS3E^A	1	3/4	1.7	600	2.1	15	6	5,700	8.7
	AEX0505XS3E^A	2	3/4	3.4	1,200	3.8	15	6	10,200	15.5
	AEX0595XS3E^A	2	3/4	3.4	1,200	3.8	15	6	10,200	15.5
	AEX0930XS3E^A	3	3/4	5.1	1,800	5.5	15	6	15,300	23.3
	AEX0975XS3E^A	4	3/4	6.8	2,400	7.2	15	6	19,800	30.1
	AEX1230XS3E^A	4	3/4	6.8	2,400	7.2	15	6	19,800	30.1
	AEX1620XS3E^A	5	3/4	8.5	3,000	8.9	15	6	34,200	52.0
4 Fins Per Inch	AEX0390XS4E^A	1	3/4	1.7	600	2.1	15	6	5,700	8.7
	AEX0580XS4E^A	2	3/4	3.4	1,200	3.8	15	6	10,200	15.5
	AEX0675XS4E^A	2	3/4	3.4	1,200	3.8	15	6	10,200	15.5
	AEX1050XS4E^A	3	3/4	5.1	1,800	5.5	15	6	15,300	23.3
	AEX1110XS4E^A	4	3/4	6.8	2,400	7.2	15	6	19,800	30.1
	AEX1385XS4E^A	4	3/4	6.8	2,400	7.2	15	6	19,800	30.1
	AEX1460XS4E^A	5	3/4	8.5	3,000	8.9	15	6	34,200	52.0
6 Fins Per Inch	AEX0475XS6E^A	1	3/4	1.7	600	2.1	15	6	5,700	8.7
	AEX0700XS6E^A	2	3/4	3.4	1,200	3.8	15	6	10,200	15.5
	AEX0805XS6E^A	2	3/4	3.4	1,200	3.8	15	6	10,200	15.5
	AEX1225XS6E^A	3	3/4	5.1	1,800	5.5	15	6	15,300	23.3
	AEX1315XS6E^A	4	3/4	6.8	2,400	7.2	15	6	19,800	30.1
	AEX1605XS6E^A	4	3/4	6.8	2,400	7.2	15	6	19,800	30.1
	AEX1765XS6E^A	5	3/4	8.5	3,000	8.9	15	6	34,200	52.0

**Notes:**

^ = Motor Code Designator (see Nomenclature details)



# SPECIFICATIONS

## Electric Defrost- 50 Hz

			380-400/3/50				Defrost Heaters			
			3 Phase AC Open Drip Proof Rail Mount				No. of Heaters	Total Watts	380V/50 Hz	
Model	No. of Fans	HP	Amps	Watts	MCA	MOPD			Total Amps	
3 Fins Per Inch	AEX0325XS3E^A	1	3/4	1.5	600	1.9	15	6	5,700	8.7
	AEX0505XS3E^A	2	3/4	3.0	1,200	3.4	15	6	10,200	15.5
	AEX0595XS3E^A	2	3/4	3.0	1,200	3.4	15	6	10,200	15.5
	AEX0930XS3E^A	3	3/4	4.5	1,800	4.9	15	6	15,300	23.3
	AEX0975XS3E^A	4	3/4	6.0	2,400	6.4	15	6	19,800	30.1
	AEX1230XS3E^A	4	3/4	6.0	2,400	6.4	15	6	19,800	30.1
	AEX1620XS3E^A	5	3/4	7.5	3,000	7.9	15	6	34,200	52.0
4 Fins Per Inch	AEX0390XS4E^A	1	3/4	1.5	600	1.9	15	6	5,700	8.7
	AEX0580XS4E^A	2	3/4	3.0	1,200	3.4	15	6	10,200	15.5
	AEX0675XS4E^A	2	3/4	3.0	1,200	3.4	15	6	10,200	15.5
	AEX1050XS4E^A	3	3/4	4.5	1,800	4.9	15	6	15,300	23.3
	AEX1110XS4E^A	4	3/4	6.0	2,400	6.4	15	6	19,800	30.1
	AEX1385XS4E^A	4	3/4	6.0	2,400	6.4	15	6	19,800	30.1
	AEX1460XS4E^A	5	3/4	7.5	3,000	7.9	15	6	34,200	52.0
6 Fins Per Inch	AEX0475XS6E^A	1	3/4	1.5	600	1.9	15	6	5,700	8.7
	AEX0700XS6E^A	2	3/4	3.0	1,200	3.4	15	6	10,200	15.5
	AEX0805XS6E^A	2	3/4	3.0	1,200	3.4	15	6	10,200	15.5
	AEX1225XS6E^A	3	3/4	4.5	1,800	4.9	15	6	15,300	23.3
	AEX1315XS6E^A	4	3/4	6.0	2,400	6.4	15	6	19,800	30.1
	AEX1605XS6E^A	4	3/4	6.0	2,400	6.4	15	6	19,800	30.1
	AEX1765XS6E^A	5	3/4	7.5	3,000	7.9	15	6	34,200	52.0

**Notes:**

^ = Motor Code Designator (see Nomenclature details)

# SPECIFICATIONS

Electric Defrost- 50 Hz

			380-400/3/50				Defrost Heaters			
			3 Phase AC Washdown Rail Mount				No. of Heaters	Total Watts	380V/50 Hz	
Model	No. of Fans	HP	Amps	Watts	MCA	MOPD			Total Amps	
3 Fins Per Inch	AEX0325XS3E^A	1	3/4	1.6	600	2.0	15	6	5,700	8.7
	AEX0505XS3E^A	2	3/4	3.2	1,200	3.6	15	6	10,200	15.5
	AEX0595XS3E^A	2	3/4	3.2	1,200	3.6	15	6	10,200	15.5
	AEX0930XS3E^A	3	3/4	4.8	1,800	5.2	15	6	15,300	23.3
	AEX0975XS3E^A	4	3/4	6.4	2,400	6.8	15	6	19,800	30.1
	AEX1230XS3E^A	4	3/4	6.4	2,400	6.8	15	6	19,800	30.1
	AEX1620XS3E^A	5	3/4	8.0	3,000	8.4	15	6	34,200	52.0
4 Fins Per Inch	AEX0390XS4E^A	1	3/4	1.6	600	2.0	15	6	5,700	8.7
	AEX0580XS4E^A	2	3/4	3.2	1,200	3.6	15	6	10,200	15.5
	AEX0675XS4E^A	2	3/4	3.2	1,200	3.6	15	6	10,200	15.5
	AEX1050XS4E^A	3	3/4	4.8	1,800	5.2	15	6	15,300	23.3
	AEX1110XS4E^A	4	3/4	6.4	2,400	6.8	15	6	19,800	30.1
	AEX1385XS4E^A	4	3/4	6.4	2,400	6.8	15	6	19,800	30.1
	AEX1460XS4E^A	5	3/4	8.0	3,000	8.4	15	6	34,200	52.0
6 Fins Per Inch	AEX0475XS6E^A	1	3/4	1.6	600	2.0	15	6	5,700	8.7
	AEX0700XS6E^A	2	3/4	3.2	1,200	3.6	15	6	10,200	15.5
	AEX0805XS6E^A	2	3/4	3.2	1,200	3.6	15	6	10,200	15.5
	AEX1225XS6E^A	3	3/4	4.8	1,800	5.2	15	6	15,300	23.3
	AEX1315XS6E^A	4	3/4	6.4	2,400	6.8	15	6	19,800	30.1
	AEX1605XS6E^A	4	3/4	6.4	2,400	6.8	15	6	19,800	30.1
	AEX1765XS6E^A	5	3/4	8.0	3,000	8.4	15	6	34,200	52.0

**Notes:**

^ = Motor Code Designator (see Nomenclature details)

# SPECIFICATIONS

## Electric Defrost- 50 Hz

			380-400/3/50				Defrost Heaters			
			Fixed Speed EC External Rotor & Variable Speed EC External Rotor				No. of Heaters	Total Watts	380V/50 Hz	
Model	No. of Fans	HP	Amps	Watts	MCA	MOPD			Total Amps	
3 Fins Per Inch	AEX0325XS3E^A	1	1	1.5	960	1.9	15	6	5,700	8.7
	AEX0505XS3E^A	2	1	3.0	1,920	3.4	15	6	10,200	15.5
	AEX0595XS3E^A	2	1	3.0	1,920	3.4	15	6	10,200	15.5
	AEX0930XS3E^A	3	1	4.5	2,880	4.9	15	6	15,300	23.3
	AEX0975XS3E^A	4	1	6.0	3,840	6.4	15	6	19,800	30.1
	AEX1230XS3E^A	4	1	6.0	3,840	6.4	15	6	19,800	30.1
	AEX1620XS3E^A	5	1	7.5	4,800	7.9	15	6	34,200	52.0
4 Fins Per Inch	AEX0390XS4E^A	1	1	1.5	960	1.9	15	6	5,700	8.7
	AEX0580XS4E^A	2	1	3.0	1,920	3.4	15	6	10,200	15.5
	AEX0675XS4E^A	2	1	3.0	1,920	3.4	15	6	10,200	15.5
	AEX1050XS4E^A	3	1	4.5	2,880	4.9	15	6	15,300	23.3
	AEX1110XS4E^A	4	1	6.0	3,840	6.4	15	6	19,800	30.1
	AEX1385XS4E^A	4	1	6.0	3,840	6.4	15	6	19,800	30.1
	AEX1460XS4E^A	5	1	7.5	4,800	7.9	15	6	34,200	52.0
6 Fins Per Inch	AEX0475XS6E^A	1	1	1.5	960	1.9	15	6	5,700	8.7
	AEX0700XS6E^A	2	1	3.0	1,920	3.4	15	6	10,200	15.5
	AEX0805XS6E^A	2	1	3.0	1,920	3.4	15	6	10,200	15.5
	AEX1225XS6E^A	3	1	4.5	2,880	4.9	15	6	15,300	23.3
	AEX1315XS6E^A	4	1	6.0	3,840	6.4	15	6	19,800	30.1
	AEX1605XS6E^A	4	1	6.0	3,840	6.4	15	6	19,800	30.1
	AEX1765XS6E^A	5	1	7.5	4,800	7.9	15	6	34,200	52.0

**Notes:**

^ = Motor Code Designator (see Nomenclature details)

# PERFORMANCE DATA

Magna Simulation Capacity: Hot Gas Defrost- 60 Hz

		Magna Simulation Capacity				Fan Data			Air Throw Per Side
		R-404A/R-507A		R-448A/R-449A					
		Model	10°F TD/25°F SST 80% RH BTUH	6°C TD/-4°C SST 80% RH Watts	10°F TD/25°F SST 80% RH BTUH	6°C TD/-4°C SST 80% RH Watts	No. of Fans	CFM	m³H
3 Fins Per Inch	AEX0325*S3H^A	22,838	6,693	32,167	9,427	1	3,890	6,609	25
	AEX0505*S3H^A	37,550	11,005	48,680	14,267	2	7,840	13,320	25
	AEX0595*S3H^A	43,910	12,869	57,332	16,802	2	7,660	13,014	25
	AEX0930*S3H^A	68,338	20,028	89,562	26,248	3	11,600	19,709	25
	AEX0975*S3H^A	71,600	20,984	94,087	27,574	4	15,680	26,640	25
	AEX1230*S3H^A	89,958	26,364	118,382	34,694	4	15,560	26,437	25
	AEX1620*S3H^A	119,677	35,074	156,777	45,947	5	19,200	32,621	25
4 Fins Per Inch	AEX0390*S4H^A	27,405	8,032	37,983	11,132	1	3,890	6,609	25
	AEX0580*S4H^A	42,197	12,367	55,775	16,346	2	7,840	13,320	25
	AEX0675*S4H^A	49,490	14,504	65,157	19,096	2	7,660	13,014	25
	AEX1050*S4H^A	75,187	22,035	100,572	29,475	3	11,600	19,709	25
	AEX1110*S4H^A	79,147	23,196	106,645	31,255	4	15,680	26,640	25
	AEX1385*S4H^A	98,847	28,969	132,817	38,925	4	15,560	26,437	25
	AEX1460*S4H^A	106,092	31,093	140,520	41,182	5	19,500	33,131	25
6 Fins Per Inch	AEX0475*S6H^A	34,987	10,254	46,225	13,547	1	3,890	6,609	25
	AEX0700*S6H^A	48,718	14,278	66,797	19,576	2	7,840	13,320	25
	AEX0805*S6H^A	56,540	16,570	77,097	22,595	2	7,660	13,014	25
	AEX1225*S6H^A	84,170	24,668	116,877	34,253	3	11,600	19,709	25
	AEX1315*S6H^A	90,318	26,470	125,252	36,708	4	15,680	26,640	25
	AEX1605*S6H^A	110,185	32,292	153,330	44,937	4	15,560	26,437	25
	AEX1765*S6H^A	122,872	36,010	168,598	49,411	5	19,500	33,131	25

**Notes:**

\* = Voltage (see Nomenclature details)

^ = Motor Code Designator (see Nomenclature details)

# PERFORMANCE DATA

Magna Simulation Capacity: Hot Gas Defrost- 60 Hz

		Magna Simulation Capacity				Fan Data			Air Throw Per Side
		R-407A/R-407F		R-407C					
		Model	10°F TD/25°F SST 80% RH BTUH	6°C TD/-4°C SST 80% RH Watts	10°F TD/25°F SST 80% RH BTUH	6°C TD/-4°C SST 80% RH Watts	No. of Fans	CFM	m³H
3 Fins Per Inch	AEX0325*S3H^A	28,548	8,367	32,558	9,542	1	3,890	6,609	25
	AEX0505*S3H^A	46,938	13,756	50,405	14,772	2	7,840	13,320	25
	AEX0595*S3H^A	54,888	16,086	59,325	17,386	2	7,660	13,014	25
	AEX0930*S3H^A	85,423	25,035	92,902	27,227	3	11,600	19,709	25
	AEX0975*S3H^A	89,500	26,230	97,652	28,619	4	15,680	26,640	25
	AEX1230*S3H^A	112,448	32,955	123,137	36,088	4	15,560	26,437	25
	AEX1620*S3H^A	149,597	43,843	162,197	47,535	5	19,200	32,621	25
4 Fins Per Inch	AEX0390*S4H^A	34,257	10,040	39,052	11,445	1	3,890	6,609	25
	AEX0580*S4H^A	52,747	15,459	57,948	16,983	2	7,840	13,320	25
	AEX0675*S4H^A	61,863	18,130	67,693	19,839	2	7,660	13,014	25
	AEX1050*S4H^A	93,984	27,544	104,923	30,750	3	11,600	19,709	25
	AEX1110*S4H^A	98,934	28,995	111,037	32,542	4	15,680	26,640	25
	AEX1385*S4H^A	123,559	36,212	138,307	40,534	4	15,560	26,437	25
	AEX1460*S4H^A	132,615	38,866	145,977	42,782	5	19,500	33,131	25
6 Fins Per Inch	AEX0475*S6H^A	43,734	12,817	47,747	13,993	1	3,890	6,609	25
	AEX0700*S6H^A	60,898	17,847	69,903	20,487	2	7,840	13,320	25
	AEX0805*S6H^A	70,675	20,713	80,418	23,568	2	7,660	13,014	25
	AEX1225*S6H^A	105,213	30,835	122,283	35,838	3	11,600	19,709	25
	AEX1315*S6H^A	112,898	33,087	131,503	38,540	4	15,680	26,640	25
	AEX1605*S6H^A	137,732	40,365	160,718	47,102	4	15,560	26,437	25
	AEX1765*S6H^A	153,590	45,013	176,367	51,688	5	19,500	33,131	25

**Notes:**

\* = Voltage (see Nomenclature details)

^ = Motor Code Designator (see Nomenclature details)

# PERFORMANCE DATA

Magna Simulation Capacity: Hot Gas Defrost- 50 Hz

		Magna Simulation Capacity				Fan Data			Air Throw Per Side
		R-404A/R-507A		R-448A/R-449A					
		Model	10°F TD/25°F SST 80% RH BTUH	6°C TD/-4°C SST 80% RH Watts	10°F TD/25°F SST 80% RH BTUH	6°C TD/-4°C SST 80% RH Watts	No. of Fans	CFM	m³H
3 Fins Per Inch	AEX0325*S3H^A	20,554	6,024	28,950	8,484	1	3,240	5,505	25
	AEX0505*S3H^A	33,795	9,904	43,812	12,840	2	6,530	11,095	25
	AEX0595*S3H^A	39,519	11,582	51,599	15,122	2	6,380	10,840	25
	AEX0930*S3H^A	61,504	18,025	80,606	23,623	3	9,670	16,429	25
	AEX0975*S3H^A	64,440	18,886	84,678	24,817	4	13,070	22,206	25
	AEX1230*S3H^A	80,962	23,728	106,544	31,225	4	12,970	22,036	25
	AEX1620*S3H^A	107,709	31,566	141,099	41,352	5	16,000	27,184	25
4 Fins Per Inch	AEX0390*S4H^A	24,665	7,229	34,185	10,019	1	3,240	5,505	25
	AEX0580*S4H^A	37,977	11,130	50,198	14,712	2	6,530	11,095	25
	AEX0675*S4H^A	44,541	13,054	58,641	17,186	2	6,380	10,840	25
	AEX1050*S4H^A	67,668	19,832	90,515	26,527	3	9,670	16,429	25
	AEX1110*S4H^A	71,232	20,876	95,981	28,129	4	13,070	22,206	25
	AEX1385*S4H^A	88,962	26,072	119,535	35,032	4	12,970	22,036	25
	AEX1460*S4H^A	95,483	27,983	126,468	37,064	5	16,250	27,609	25
6 Fins Per Inch	AEX0475*S6H^A	31,488	9,228	41,603	12,193	1	3,240	5,505	25
	AEX0700*S6H^A	43,846	12,850	60,117	17,619	2	6,530	11,095	25
	AEX0805*S6H^A	50,886	14,913	69,387	20,335	2	6,380	10,840	25
	AEX1225*S6H^A	75,753	22,201	105,189	30,828	3	9,670	16,429	25
	AEX1315*S6H^A	81,286	23,823	112,727	33,037	4	13,070	22,206	25
	AEX1605*S6H^A	99,167	29,063	137,997	40,443	4	12,970	22,036	25
	AEX1765*S6H^A	110,585	32,409	151,738	44,470	5	16,250	27,609	25

**Notes:**

\* = Voltage (see Nomenclature details)

^ = Motor Code Designator (see Nomenclature details)

# PERFORMANCE DATA

Magna Simulation Capacity: Hot Gas Defrost- 50 Hz

		Magna Simulation Capacity				Fan Data			Air Throw Per Side
		R-407A/R-407F		R-407C					
		Model	10°F TD/25°F SST 80% RH BTUH	6°C TD/-4°C SST 80% RH Watts	10°F TD/25°F SST 80% RH BTUH	6°C TD/-4°C SST 80% RH Watts	No. of Fans	CFM	m³H
3 Fins Per Inch	AEX0325*S3H^A	25,693	7,530	29,302	8,588	1	3,240	5,505	25
	AEX0505*S3H^A	42,244	12,380	45,365	13,295	2	6,530	11,095	25
	AEX0595*S3H^A	49,399	14,477	53,393	15,648	2	6,380	10,840	25
	AEX0930*S3H^A	76,881	22,532	83,612	24,504	3	9,670	16,429	25
	AEX0975*S3H^A	80,550	23,607	87,887	25,757	4	13,070	22,206	25
	AEX1230*S3H^A	101,203	29,660	110,823	32,479	4	12,970	22,036	25
	AEX1620*S3H^A	134,637	39,458	145,977	42,782	5	16,000	27,184	25
4 Fins Per Inch	AEX0390*S4H^A	30,831	9,036	35,147	10,301	1	3,240	5,505	25
	AEX0580*S4H^A	47,472	13,913	52,153	15,285	2	6,530	11,095	25
	AEX0675*S4H^A	55,677	16,317	60,924	17,855	2	6,380	10,840	25
	AEX1050*S4H^A	84,586	24,790	94,431	27,675	3	9,670	16,429	25
	AEX1110*S4H^A	89,041	26,095	99,933	29,287	4	13,070	22,206	25
	AEX1385*S4H^A	111,203	32,590	124,476	36,480	4	12,970	22,036	25
	AEX1460*S4H^A	119,354	34,979	131,379	38,503	5	16,250	27,609	25
6 Fins Per Inch	AEX0475*S6H^A	39,361	11,536	42,972	12,594	1	3,240	5,505	25
	AEX0700*S6H^A	54,808	16,063	62,913	18,438	2	6,530	11,095	25
	AEX0805*S6H^A	63,608	18,642	72,376	21,211	2	6,380	10,840	25
	AEX1225*S6H^A	94,692	27,751	110,055	32,254	3	9,670	16,429	25
	AEX1315*S6H^A	101,608	29,778	118,353	34,686	4	13,070	22,206	25
	AEX1605*S6H^A	123,959	36,329	144,646	42,392	4	12,970	22,036	25
	AEX1765*S6H^A	138,231	40,512	158,730	46,519	5	16,250	27,609	25

**Notes:**

\* = Voltage (see Nomenclature details)

^ = Motor Code Designator (see Nomenclature details)

# SPECIFICATIONS

## Hot Gas Defrost- 60 Hz

	Model	No. of Fans	HP	Fixed Speed EC External Rotor & Variable Speed EC External Rotor				Drain Pan Heaters			
				Amps	Watts	MCA	MOPD	No. of Heaters	Total Watts	230V/60 Hz	460V/60 Hz
										Total Amps	
3 Fins Per Inch	AEX0325*S3H^A	1	1	3.3	740	4.1	15	-	-	-	-
	AEX0505*S3H^A	2	1	6.6	1,480	7.3	15	-	-	-	-
	AEX0595*S3H^A	2	1	6.6	1,480	7.3	15	-	-	-	-
	AEX0930*S3H^A	3	1	9.9	2,220	7.3	15	-	-	-	-
	AEX0975*S3H^A	4	1	13.2	2,960	10.6	15	-	-	-	-
	AEX1230*S3H^A	4	1	13.2	2,960	10.6	15	-	-	-	-
AEX1620*S3H^A	5	1	16.5	3,700	13.8	15	-	-	-	-	
4 Fins Per Inch	AEX0390*S4H^A	1	1	3.3	740	4.1	15	-	-	-	-
	AEX0580*S4H^A	2	1	6.6	1,480	7.3	15	-	-	-	-
	AEX0675*S4H^A	2	1	6.6	1,480	7.3	15	-	-	-	-
	AEX1050*S4H^A	3	1	9.9	2,220	7.3	15	-	-	-	-
	AEX1110*S4H^A	4	1	13.2	2,960	10.6	15	-	-	-	-
	AEX1385*S4H^A	4	1	13.2	2,960	10.6	15	-	-	-	-
AEX1460*S4H^A	5	1	16.5	3,700	13.8	15	-	-	-	-	
6 Fins Per Inch	AEX0475*S6H^A	1	1	3.3	740	4.1	15	-	-	-	-
	AEX0700*S6H^A	2	1	6.6	1,480	7.3	15	-	-	-	-
	AEX0805*S6H^A	2	1	6.6	1,480	7.3	15	-	-	-	-
	AEX1225*S6H^A	3	1	9.9	2,220	7.3	15	-	-	-	-
	AEX1315*S6H^A	4	1	13.2	2,960	10.6	15	-	-	-	-
	AEX1605*S6H^A	4	1	13.2	2,960	10.6	15	-	-	-	-
AEX1765*S6H^A	5	1	16.5	3,700	13.8	15	-	-	-	-	

**Notes:**

\* = Voltage (see Nomenclature details)

^ = Motor Code Designator (see Nomenclature details)



# SPECIFICATIONS

## Hot Gas Defrost- 60 Hz

	Model	No. of Fans	HP	Fixed Speed EC External Rotor & Variable Speed EC External Rotor				Drain Pan Heaters			
				Amps	Watts	MCA	MOPD	No. of Heaters	Total Watts	230V/60 Hz	460V/60 Hz
										Total Amps	
3 Fins Per Inch	AEX0325*S3H^A	1	1	1.5	960	1.9	15	-	-	-	-
	AEX0505*S3H^A	2	1	3.0	1,920	3.4	15	-	-	-	-
	AEX0595*S3H^A	2	1	3.0	1,920	3.4	15	-	-	-	-
	AEX0930*S3H^A	3	1	4.5	2,880	4.9	15	-	-	-	-
	AEX0975*S3H^A	4	1	6.0	3,840	6.4	15	-	-	-	-
	AEX1230*S3H^A	4	1	6.0	3,840	6.4	15	-	-	-	-
AEX1620*S3H^A	5	1	7.5	4,800	7.9	15	-	-	-	-	
4 Fins Per Inch	AEX0390*S4H^A	1	1	1.5	960	1.9	15	-	-	-	-
	AEX0580*S4H^A	2	1	3.0	1,920	3.4	15	-	-	-	-
	AEX0675*S4H^A	2	1	3.0	1,920	3.4	15	-	-	-	-
	AEX1050*S4H^A	3	1	4.5	2,880	4.9	15	-	-	-	-
	AEX1110*S4H^A	4	1	6.0	3,840	6.4	15	-	-	-	-
	AEX1385*S4H^A	4	1	6.0	3,840	6.4	15	-	-	-	-
AEX1460*S4H^A	5	1	7.5	4,800	7.9	15	-	-	-	-	
6 Fins Per Inch	AEX0475*S6H^A	1	1	1.5	960	1.9	15	-	-	-	-
	AEX0700*S6H^A	2	1	3.0	1,920	3.4	15	-	-	-	-
	AEX0805*S6H^A	2	1	3.0	1,920	3.4	15	-	-	-	-
	AEX1225*S6H^A	3	1	4.5	2,880	4.9	15	-	-	-	-
	AEX1315*S6H^A	4	1	6.0	3,840	6.4	15	-	-	-	-
	AEX1605*S6H^A	4	1	6.0	3,840	6.4	15	-	-	-	-
AEX1765*S6H^A	5	1	7.5	4,800	7.9	15	-	-	-	-	

**Notes:**

\* = Voltage (see Nomenclature details)

^ = Motor Code Designator (see Nomenclature details)

# SPECIFICATIONS

## Hot Gas Defrost- 60 Hz

			3 Phase AC Totally Enclosed Rail Mount				Drain Pan Heaters				
			208-230/3/60				No. of Heaters	Total Watts	230V/60 Hz	460V/60 Hz	
Model	No. of Fans	HP	Amps	Watts	MCA	MOPD			Total Amps		
3 Fins Per Inch	AEX0325*S3HTA	1	3/4	3.5	600	4.4	15	-	-	-	-
	AEX0505*S3HTA	2	3/4	7.0	1,200	7.9	15	-	-	-	-
	AEX0595*S3HTA	2	3/4	7.0	1,200	7.9	15	-	-	-	-
	AEX0930*S3HTA	3	3/4	10.5	1,800	11.4	15	-	-	-	-
	AEX0975*S3HTA	4	3/4	14.0	2,400	14.9	15	-	-	-	-
	AEX1230*S3HTA	4	3/4	14.0	2,400	14.9	15	-	-	-	-
	AEX1620*S3HTA	5	3/4	17.5	3,000	18.4	20	-	-	-	-
4 Fins Per Inch	AEX0390*S4HTA	1	3/4	3.5	600	4.4	15	-	-	-	-
	AEX0580*S4HTA	2	3/4	7.0	1,200	7.9	15	-	-	-	-
	AEX0675*S4HTA	2	3/4	7.0	1,200	7.9	15	-	-	-	-
	AEX1050*S4HTA	3	3/4	10.5	1,800	11.4	15	-	-	-	-
	AEX1110*S4HTA	4	3/4	14.0	2,400	14.9	15	-	-	-	-
	AEX1385*S4HTA	4	3/4	14.0	2,400	14.9	15	-	-	-	-
	AEX1460*S4HTA	5	3/4	17.5	3,000	18.4	20	-	-	-	-
6 Fins Per Inch	AEX0475*S6HTA	1	3/4	3.5	600	4.4	15	-	-	-	-
	AEX0700*S6HTA	2	3/4	7.0	1,200	7.9	15	-	-	-	-
	AEX0805*S6HTA	2	3/4	7.0	1,200	7.9	15	-	-	-	-
	AEX1225*S6HTA	3	3/4	10.5	1,800	11.4	15	-	-	-	-
	AEX1315*S6HTA	4	3/4	14.0	2,400	14.9	15	-	-	-	-
	AEX1605*S6HTA	4	3/4	14.0	2,400	14.9	15	-	-	-	-
	AEX1765*S6HTA	5	3/4	17.5	3,000	18.4	20	-	-	-	-

**Notes:**

\* = Voltage (see Nomenclature details)

^ = Motor Code Designator (see Nomenclature details)

# SPECIFICATIONS

## Hot Gas Defrost- 60 Hz

			3 Phase AC Totally Enclosed Rail Mount				Drain Pan Heaters				
			460/3/60				No. of Heaters	Total Watts	230V/60 Hz	460V/60 Hz	
Model	No. of Fans	HP	Amps	Watts	MCA	MOPD			Total Amps		
3 Fins Per Inch	AEX0325*S3HTA	1	3/4	1.7	600	2.1	15	-	-	-	-
	AEX0505*S3HTA	2	3/4	3.4	1,200	3.8	15	-	-	-	-
	AEX0595*S3HTA	2	3/4	3.4	1,200	3.8	15	-	-	-	-
	AEX0930*S3HTA	3	3/4	5.1	1,800	5.5	15	-	-	-	-
	AEX0975*S3HTA	4	3/4	6.8	2,400	7.2	15	-	-	-	-
	AEX1230*S3HTA	4	3/4	6.8	2,400	7.2	15	-	-	-	-
	AEX1620*S3HTA	5	3/4	8.5	3,000	8.9	15	-	-	-	-
4 Fins Per Inch	AEX0390*S4HTA	1	3/4	1.7	600	2.1	15	-	-	-	-
	AEX0580*S4HTA	2	3/4	3.4	1,200	3.8	15	-	-	-	-
	AEX0675*S4HTA	2	3/4	3.4	1,200	3.8	15	-	-	-	-
	AEX1050*S4HTA	3	3/4	5.1	1,800	5.5	15	-	-	-	-
	AEX1110*S4HTA	4	3/4	6.8	2,400	7.2	15	-	-	-	-
	AEX1385*S4HTA	4	3/4	6.8	2,400	7.2	15	-	-	-	-
	AEX1460*S4HTA	5	3/4	8.5	3,000	8.9	15	-	-	-	-
6 Fins Per Inch	AEX0475*S6HTA	1	3/4	1.7	600	2.1	15	-	-	-	-
	AEX0700*S6HTA	2	3/4	3.4	1,200	3.8	15	-	-	-	-
	AEX0805*S6HTA	2	3/4	3.4	1,200	3.8	15	-	-	-	-
	AEX1225*S6HTA	3	3/4	5.1	1,800	5.5	15	-	-	-	-
	AEX1315*S6HTA	4	3/4	6.8	2,400	7.2	15	-	-	-	-
	AEX1605*S6HTA	4	3/4	6.8	2,400	7.2	15	-	-	-	-
	AEX1765*S6HTA	5	3/4	8.5	3,000	8.9	15	-	-	-	-

**Notes:**

\* = Voltage (see Nomenclature details)

^ = Motor Code Designator (see Nomenclature details)

# SPECIFICATIONS

## Hot Gas Defrost- 60 Hz

			3 Phase AC Open Drip Proof Rail Mount					Drain Pan Heaters			
			208-230/3/60					No. of Heaters	Total Watts	230V/60 Hz	460V/60 Hz
Model	No. of Fans	HP	Amps	Watts	MCA	MOPD	Total Amps				
3 Fins Per Inch	AEX0325*S3HYA	1	3/4	3.0	600	3.8	15	-	-	-	-
	AEX0505*S3HYA	2	3/4	6.0	1,200	6.8	15	-	-	-	-
	AEX0595*S3HYA	2	3/4	6.0	1,200	6.8	15	-	-	-	-
	AEX0930*S3HYA	3	3/4	9.0	1,800	9.8	15	-	-	-	-
	AEX0975*S3HYA	4	3/4	12.0	2,400	12.8	15	-	-	-	-
	AEX1230*S3HYA	4	3/4	12.0	2,400	12.8	15	-	-	-	-
	AEX1620*S3HYA	5	3/4	15.0	3,000	15.8	20	-	-	-	-
4 Fins Per Inch	AEX0390*S4HYA	1	3/4	3.0	600	3.8	15	-	-	-	-
	AEX0580*S4HYA	2	3/4	6.0	1,200	6.8	15	-	-	-	-
	AEX0675*S4HYA	2	3/4	6.0	1,200	6.8	15	-	-	-	-
	AEX1050*S4HYA	3	3/4	9.0	1,800	9.8	15	-	-	-	-
	AEX1110*S4HYA	4	3/4	12.0	2,400	12.8	15	-	-	-	-
	AEX1385*S4HYA	4	3/4	12.0	2,400	12.8	15	-	-	-	-
	AEX1460*S4HYA	5	3/4	15.0	3,000	15.8	20	-	-	-	-
6 Fins Per Inch	AEX0475*S6HYA	1	3/4	3.0	600	3.8	15	-	-	-	-
	AEX0700*S6HYA	2	3/4	6.0	1,200	6.8	15	-	-	-	-
	AEX0805*S6HYA	2	3/4	6.0	1,200	6.8	15	-	-	-	-
	AEX1225*S6HYA	3	3/4	9.0	1,800	9.8	15	-	-	-	-
	AEX1315*S6HYA	4	3/4	12.0	2,400	12.8	15	-	-	-	-
	AEX1605*S6HYA	4	3/4	12.0	2,400	12.8	15	-	-	-	-
	AEX1765*S6HYA	5	3/4	15.0	3,000	15.8	20	-	-	-	-

**Notes:**

\* = Voltage (see Nomenclature details)

^ = Motor Code Designator (see Nomenclature details)

# SPECIFICATIONS

## Hot Gas Defrost- 60 Hz

			3 Phase AC Open Drip Proof Rail Mount				Drain Pan Heaters				
			460/3/60				No. of Heaters	Total Watts	230V/60 Hz	460V/60 Hz	
Model	No. of Fans	HP	Amps	Watts	MCA	MOPD			Total Amps		
3 Fins Per Inch	AEX0325*S3HYA	1	3/4	1.5	600	1.9	15	-	-	-	-
	AEX0505*S3HYA	2	3/4	3.0	1,200	3.4	15	-	-	-	-
	AEX0595*S3HYA	2	3/4	3.0	1,200	3.4	15	-	-	-	-
	AEX0930*S3HYA	3	3/4	4.5	1,800	4.9	15	-	-	-	-
	AEX0975*S3HYA	4	3/4	6.0	2,400	6.4	15	-	-	-	-
	AEX1230*S3HYA	4	3/4	6.0	2,400	6.4	15	-	-	-	-
AEX1620*S3HYA	5	3/4	7.5	3,000	7.9	15	-	-	-	-	
4 Fins Per Inch	AEX0390*S4HYA	1	3/4	1.5	600	1.9	15	-	-	-	-
	AEX0580*S4HYA	2	3/4	3.0	1,200	3.4	15	-	-	-	-
	AEX0675*S4HYA	2	3/4	3.0	1,200	3.4	15	-	-	-	-
	AEX1050*S4HYA	3	3/4	4.5	1,800	4.9	15	-	-	-	-
	AEX1110*S4HYA	4	3/4	6.0	2,400	6.4	15	-	-	-	-
	AEX1385*S4HYA	4	3/4	6.0	2,400	6.4	15	-	-	-	-
AEX1460*S4HYA	5	3/4	7.5	3,000	7.9	15	-	-	-	-	
6 Fins Per Inch	AEX0475*S6HYA	1	3/4	1.5	600	1.9	15	-	-	-	-
	AEX0700*S6HYA	2	3/4	3.0	1,200	3.4	15	-	-	-	-
	AEX0805*S6HYA	2	3/4	3.0	1,200	3.4	15	-	-	-	-
	AEX1225*S6HYA	3	3/4	4.5	1,800	4.9	15	-	-	-	-
	AEX1315*S6HYA	4	3/4	6.0	2,400	6.4	15	-	-	-	-
	AEX1605*S6HYA	4	3/4	6.0	2,400	6.4	15	-	-	-	-
AEX1765*S6HYA	5	3/4	7.5	3,000	7.9	15	-	-	-	-	

**Notes:**

\* = Voltage (see Nomenclature details)

^ = Motor Code Designator (see Nomenclature details)

# SPECIFICATIONS

## Hot Gas Defrost- 60 Hz

			3 Phase AC Washdown Rail Mount					Drain Pan Heaters			
			208-230/3/60					No. of Heaters	Total Watts	230V/60 Hz	460V/60 Hz
Model	No. of Fans	HP	Amps	Watts	MCA	MOPD	Total Amps				
3 Fins Per Inch	AEX0325*S3HWA	1	3/4	3.2	600	4.0	15	-	-	-	-
	AEX0505*S3HWA	2	3/4	6.4	1,200	7.2	15	-	-	-	-
	AEX0595*S3HWA	2	3/4	6.4	1,200	7.2	15	-	-	-	-
	AEX0930*S3HWA	3	3/4	9.6	1,800	10.4	15	-	-	-	-
	AEX0975*S3HWA	4	3/4	12.8	2,400	13.6	15	-	-	-	-
	AEX1230*S3HWA	4	3/4	12.8	2,400	13.6	15	-	-	-	-
	AEX1620*S3HWA	5	3/4	16.0	3,000	16.8	20	-	-	-	-
4 Fins Per Inch	AEX0390*S4HWA	1	3/4	3.2	600	4.0	15	-	-	-	-
	AEX0580*S4HWA	2	3/4	6.4	1,200	7.2	15	-	-	-	-
	AEX0675*S4HWA	2	3/4	6.4	1,200	7.2	15	-	-	-	-
	AEX1050*S4HWA	3	3/4	9.6	1,800	10.4	15	-	-	-	-
	AEX1110*S4HWA	4	3/4	12.8	2,400	13.6	15	-	-	-	-
	AEX1385*S4HWA	4	3/4	12.8	2,400	13.6	15	-	-	-	-
	AEX1460*S4HWA	5	3/4	16.0	3,000	16.8	20	-	-	-	-
6 Fins Per Inch	AEX0475*S6HWA	1	3/4	3.2	600	4.0	15	-	-	-	-
	AEX0700*S6HWA	2	3/4	6.4	1,200	7.2	15	-	-	-	-
	AEX0805*S6HWA	2	3/4	6.4	1,200	7.2	15	-	-	-	-
	AEX1225*S6HWA	3	3/4	9.6	1,800	10.4	15	-	-	-	-
	AEX1315*S6HWA	4	3/4	12.8	2,400	13.6	15	-	-	-	-
	AEX1605*S6HWA	4	3/4	12.8	2,400	13.6	15	-	-	-	-
	AEX1765*S6HWA	5	3/4	16.0	3,000	16.8	20	-	-	-	-

**Notes:**

\* = Voltage (see Nomenclature details)

^ = Motor Code Designator (see Nomenclature details)

# SPECIFICATIONS

## Hot Gas Defrost- 60 Hz

			3 Phase AC Washdown Rail Mount					Drain Pan Heaters			
			460/3/60					No. of Heaters	Total Watts	230V/60 Hz	460V/60 Hz
Model	No. of Fans	HP	Amps	Watts	MCA	MOPD	Total Amps				
3 Fins Per Inch	AEX0325*S3HWA	1	3/4	1.6	600	2.0	15	-	-	-	-
	AEX0505*S3HWA	2	3/4	3.2	1,200	3.6	15	-	-	-	-
	AEX0595*S3HWA	2	3/4	3.2	1,200	3.6	15	-	-	-	-
	AEX0930*S3HWA	3	3/4	4.8	1,800	5.2	15	-	-	-	-
	AEX0975*S3HWA	4	3/4	6.4	2,400	6.8	15	-	-	-	-
	AEX1230*S3HWA	4	3/4	6.4	2,400	6.8	15	-	-	-	-
	AEX1620*S3HWA	5	3/4	8.0	3,000	8.4	15	-	-	-	-
4 Fins Per Inch	AEX0390*S4HWA	1	3/4	1.6	600	2.0	15	-	-	-	-
	AEX0580*S4HWA	2	3/4	3.2	1,200	3.6	15	-	-	-	-
	AEX0675*S4HWA	2	3/4	3.2	1,200	3.6	15	-	-	-	-
	AEX1050*S4HWA	3	3/4	4.8	1,800	5.2	15	-	-	-	-
	AEX1110*S4HWA	4	3/4	6.4	2,400	6.8	15	-	-	-	-
	AEX1385*S4HWA	4	3/4	6.4	2,400	6.8	15	-	-	-	-
	AEX1460*S4HWA	5	3/4	8.0	3,000	8.4	15	-	-	-	-
6 Fins Per Inch	AEX0475*S6HWA	1	3/4	1.6	600	2.0	15	-	-	-	-
	AEX0700*S6HWA	2	3/4	3.2	1,200	3.6	15	-	-	-	-
	AEX0805*S6HWA	2	3/4	3.2	1,200	3.6	15	-	-	-	-
	AEX1225*S6HWA	3	3/4	4.8	1,800	5.2	15	-	-	-	-
	AEX1315*S6HWA	4	3/4	6.4	2,400	6.8	15	-	-	-	-
	AEX1605*S6HWA	4	3/4	6.4	2,400	6.8	15	-	-	-	-
	AEX1765*S6HWA	5	3/4	8.0	3,000	8.4	15	-	-	-	-

**Notes:**

\* = Voltage (see Nomenclature details)

# SPECIFICATIONS

Hot Gas Defrost- 50 Hz

			380-400/3/50				Drain Pan Heaters			
			3 Phase AC Totally Enclosed Rail Mount				No. of Heaters	Total Watts	380V/50 Hz	
Model	No. of Fans	HP	Amps	Watts	MCA	MOPD			Total Amps	
3 Fins Per Inch	AEX0325*S3H^A	1	3/4	1.7	600	2.1	15	-	-	-
	AEX0505*S3H^A	2	3/4	3.4	1,200	3.8	15	-	-	-
	AEX0595*S3H^A	2	3/4	3.4	1,200	3.8	15	-	-	-
	AEX0930*S3H^A	3	3/4	5.1	1,800	5.5	15	-	-	-
	AEX0975*S3H^A	4	3/4	6.8	2,400	7.2	15	-	-	-
	AEX1230*S3H^A	4	3/4	6.8	2,400	7.2	15	-	-	-
	AEX1620*S3H^A	5	3/4	8.5	3,000	8.9	15	-	-	-
4 Fins Per Inch	AEX0390*S4H^A	1	3/4	1.7	600	2.1	15	-	-	-
	AEX0580*S4H^A	2	3/4	3.4	1,200	3.8	15	-	-	-
	AEX0675*S4H^A	2	3/4	3.4	1,200	3.8	15	-	-	-
	AEX1050*S4H^A	3	3/4	5.1	1,800	5.5	15	-	-	-
	AEX1110*S4H^A	4	3/4	6.8	2,400	7.2	15	-	-	-
	AEX1385*S4H^A	4	3/4	6.8	2,400	7.2	15	-	-	-
	AEX1460*S4H^A	5	3/4	8.5	3,000	8.9	15	-	-	-
6 Fins Per Inch	AEX0475*S6H^A	1	3/4	1.7	600	2.1	15	-	-	-
	AEX0700*S6H^A	2	3/4	3.4	1,200	3.8	15	-	-	-
	AEX0805*S6H^A	2	3/4	3.4	1,200	3.8	15	-	-	-
	AEX1225*S6H^A	3	3/4	5.1	1,800	5.5	15	-	-	-
	AEX1315*S6H^A	4	3/4	6.8	2,400	7.2	15	-	-	-
	AEX1605*S6H^A	4	3/4	6.8	2,400	7.2	15	-	-	-
	AEX1765*S6H^A	5	3/4	8.5	3,000	8.9	15	-	-	-

**Notes:**

^ = Motor Code Designator (see Nomenclature details)



# SPECIFICATIONS

Hot Gas Defrost- 50 Hz

			380-400/3/50				Drain Pan Heaters			
			3 Phase AC Open Drip Proof Rail Mount				No. of Heaters	Total Watts	380V/50 Hz	
Model	No. of Fans	HP	Amps	Watts	MCA	MOPD			Total Amps	
3 Fins Per Inch	AEX0325 <sup>^</sup> S3H <sup>^</sup> A	1	3/4	1.5	600	1.9	15	-	-	-
	AEX0505 <sup>^</sup> S3H <sup>^</sup> A	2	3/4	3.0	1,200	3.4	15	-	-	-
	AEX0595 <sup>^</sup> S3H <sup>^</sup> A	2	3/4	3.0	1,200	3.4	15	-	-	-
	AEX0930 <sup>^</sup> S3H <sup>^</sup> A	3	3/4	4.5	1,800	4.9	15	-	-	-
	AEX0975 <sup>^</sup> S3H <sup>^</sup> A	4	3/4	6.0	2,400	6.4	15	-	-	-
	AEX1230 <sup>^</sup> S3H <sup>^</sup> A	4	3/4	6.0	2,400	6.4	15	-	-	-
	AEX1620 <sup>^</sup> S3H <sup>^</sup> A	5	3/4	7.5	3,000	7.9	15	-	-	-
4 Fins Per Inch	AEX0390 <sup>^</sup> S4H <sup>^</sup> A	1	3/4	1.5	600	1.9	15	-	-	-
	AEX0580 <sup>^</sup> S4H <sup>^</sup> A	2	3/4	3.0	1,200	3.4	15	-	-	-
	AEX0675 <sup>^</sup> S4H <sup>^</sup> A	2	3/4	3.0	1,200	3.4	15	-	-	-
	AEX1050 <sup>^</sup> S4H <sup>^</sup> A	3	3/4	4.5	1,800	4.9	15	-	-	-
	AEX1110 <sup>^</sup> S4H <sup>^</sup> A	4	3/4	6.0	2,400	6.4	15	-	-	-
	AEX1385 <sup>^</sup> S4H <sup>^</sup> A	4	3/4	6.0	2,400	6.4	15	-	-	-
	AEX1460 <sup>^</sup> S4H <sup>^</sup> A	5	3/4	7.5	3,000	7.9	15	-	-	-
6 Fins Per Inch	AEX0475 <sup>^</sup> S6H <sup>^</sup> A	1	3/4	1.5	600	1.9	15	-	-	-
	AEX0700 <sup>^</sup> S6H <sup>^</sup> A	2	3/4	3.0	1,200	3.4	15	-	-	-
	AEX0805 <sup>^</sup> S6H <sup>^</sup> A	2	3/4	3.0	1,200	3.4	15	-	-	-
	AEX1225 <sup>^</sup> S6H <sup>^</sup> A	3	3/4	4.5	1,800	4.9	15	-	-	-
	AEX1315 <sup>^</sup> S6H <sup>^</sup> A	4	3/4	6.0	2,400	6.4	15	-	-	-
	AEX1605 <sup>^</sup> S6H <sup>^</sup> A	4	3/4	6.0	2,400	6.4	15	-	-	-
	AEX1765 <sup>^</sup> S6H <sup>^</sup> A	5	3/4	7.5	3,000	7.9	15	-	-	-

**Notes:**

<sup>^</sup> = Motor Code Designator (see Nomenclature details)

# SPECIFICATIONS

Hot Gas Defrost- 50 Hz

			380-400/3/50				Drain Pan Heaters			
			3 Phase AC Washdown Rail Mount				No. of Heaters	Total Watts	380V/50 Hz	
Model	No. of Fans	HP	Amps	Watts	MCA	MOPD			Total Amps	
3 Fins Per Inch	AEX0325 <sup>^</sup> S3H <sup>^</sup> A	1	3/4	1.6	600	2.0	15	-	-	-
	AEX0505 <sup>^</sup> S3H <sup>^</sup> A	2	3/4	3.2	1,200	3.6	15	-	-	-
	AEX0595 <sup>^</sup> S3H <sup>^</sup> A	2	3/4	3.2	1,200	3.6	15	-	-	-
	AEX0930 <sup>^</sup> S3H <sup>^</sup> A	3	3/4	4.8	1,800	5.2	15	-	-	-
	AEX0975 <sup>^</sup> S3H <sup>^</sup> A	4	3/4	6.4	2,400	6.8	15	-	-	-
	AEX1230 <sup>^</sup> S3H <sup>^</sup> A	4	3/4	6.4	2,400	6.8	15	-	-	-
	AEX1620 <sup>^</sup> S3H <sup>^</sup> A	5	3/4	8.0	3,000	8.4	15	-	-	-
4 Fins Per Inch	AEX0390 <sup>^</sup> S4H <sup>^</sup> A	1	3/4	1.6	600	2.0	15	-	-	-
	AEX0580 <sup>^</sup> S4H <sup>^</sup> A	2	3/4	3.2	1,200	3.6	15	-	-	-
	AEX0675 <sup>^</sup> S4H <sup>^</sup> A	2	3/4	3.2	1,200	3.6	15	-	-	-
	AEX1050 <sup>^</sup> S4H <sup>^</sup> A	3	3/4	4.8	1,800	5.2	15	-	-	-
	AEX1110 <sup>^</sup> S4H <sup>^</sup> A	4	3/4	6.4	2,400	6.8	15	-	-	-
	AEX1385 <sup>^</sup> S4H <sup>^</sup> A	4	3/4	6.4	2,400	6.8	15	-	-	-
	AEX1460 <sup>^</sup> S4H <sup>^</sup> A	5	3/4	8.0	3,000	8.4	15	-	-	-
6 Fins Per Inch	AEX0475 <sup>^</sup> S6H <sup>^</sup> A	1	3/4	1.6	600	2.0	15	-	-	-
	AEX0700 <sup>^</sup> S6H <sup>^</sup> A	2	3/4	3.2	1,200	3.6	15	-	-	-
	AEX0805 <sup>^</sup> S6H <sup>^</sup> A	2	3/4	3.2	1,200	3.6	15	-	-	-
	AEX1225 <sup>^</sup> S6H <sup>^</sup> A	3	3/4	4.8	1,800	5.2	15	-	-	-
	AEX1315 <sup>^</sup> S6H <sup>^</sup> A	4	3/4	6.4	2,400	6.8	15	-	-	-
	AEX1605 <sup>^</sup> S6H <sup>^</sup> A	4	3/4	6.4	2,400	6.8	15	-	-	-
	AEX1765 <sup>^</sup> S6H <sup>^</sup> A	5	3/4	8.0	3,000	8.4	15	-	-	-

**Notes:**

<sup>^</sup> = Motor Code Designator (see Nomenclature details)

# SPECIFICATIONS

## Electric Defrost- 50 Hz

			380-400/3/50				Drain Pan Heaters			
			3 Phase AC Open Drip Proof Rail Mount				No. of Heaters	Total Watts	380V/50 Hz	
Model	No. of Fans	HP	Amps	Watts	MCA	MOPD			Total Amps	
3 Fins Per Inch	AEX0325 <sup>^</sup> S3H <sup>^</sup> A	1	1	1.5	960	1.9	15	-	-	-
	AEX0505 <sup>^</sup> S3H <sup>^</sup> A	2	1	3.0	1,920	3.4	15	-	-	-
	AEX0595 <sup>^</sup> S3H <sup>^</sup> A	2	1	3.0	1,920	3.4	15	-	-	-
	AEX0930 <sup>^</sup> S3H <sup>^</sup> A	3	1	4.5	2,880	4.9	15	-	-	-
	AEX0975 <sup>^</sup> S3H <sup>^</sup> A	4	1	6.0	3,840	6.4	15	-	-	-
	AEX1230 <sup>^</sup> S3H <sup>^</sup> A	4	1	6.0	3,840	6.4	15	-	-	-
	AEX1620 <sup>^</sup> S3H <sup>^</sup> A	5	1	7.5	4,800	7.9	15	-	-	-
4 Fins Per Inch	AEX0390 <sup>^</sup> S4H <sup>^</sup> A	1	1	1.5	960	1.9	15	-	-	-
	AEX0580 <sup>^</sup> S4H <sup>^</sup> A	2	1	3.0	1,920	3.4	15	-	-	-
	AEX0675 <sup>^</sup> S4H <sup>^</sup> A	2	1	3.0	1,920	3.4	15	-	-	-
	AEX1050 <sup>^</sup> S4H <sup>^</sup> A	3	1	4.5	2,880	4.9	15	-	-	-
	AEX1110 <sup>^</sup> S4H <sup>^</sup> A	4	1	6.0	3,840	6.4	15	-	-	-
	AEX1385 <sup>^</sup> S4H <sup>^</sup> A	4	1	6.0	3,840	6.4	15	-	-	-
	AEX1460 <sup>^</sup> S4H <sup>^</sup> A	5	1	7.5	4,800	7.9	15	-	-	-
6 Fins Per Inch	AEX0475 <sup>^</sup> S6H <sup>^</sup> A	1	1	1.5	960	1.9	15	-	-	-
	AEX0700 <sup>^</sup> S6H <sup>^</sup> A	2	1	3.0	1,920	3.4	15	-	-	-
	AEX0805 <sup>^</sup> S6H <sup>^</sup> A	2	1	3.0	1,920	3.4	15	-	-	-
	AEX1225 <sup>^</sup> S6H <sup>^</sup> A	3	1	4.5	2,880	4.9	15	-	-	-
	AEX1315 <sup>^</sup> S6H <sup>^</sup> A	4	1	6.0	3,840	6.4	15	-	-	-
	AEX1605 <sup>^</sup> S6H <sup>^</sup> A	4	1	6.0	3,840	6.4	15	-	-	-
	AEX1765 <sup>^</sup> S6H <sup>^</sup> A	5	1	7.5	4,800	7.9	15	-	-	-

**Notes:**

<sup>^</sup> = Motor Code Designator (see Nomenclature details)

## PHYSICAL DATA

### Air Defrost

	Model	No. of Fans	Coil Inlet OD	Suction OD	Equalizer OD	Drain MPT	Est. Net Weight	
							lbs.	kg
4 Fins Per Inch	AEX0390*S4A^A	1	7/8	15/8	1/4	1 1/2	500	227
	AEX0580*S4A^A	2	1 1/8	15/8	1/4	1 1/2	700	317
	AEX0675*S4A^A	2	1 1/8	15/8	1/4	1 1/2	700	317
	AEX1050*S4A^A	3	1 1/8	15/8	1/4	1 1/2	950	431
	AEX1110*S4A^A	4	1 1/8	15/8	1/4	1 1/2	1,200	544
	AEX1385*S4A^A	4	1 3/8	15/8	1/4	1 1/2	1,200	544
	AEX1460*S4A^A	5	1 3/8	15/8	1/4	1 1/2	1,450	658
6 Fins Per Inch	AEX0475*S6A^A	1	7/8	15/8	1/4	1 1/2	500	227
	AEX0700*S6A^A	2	1 1/8	15/8	1/4	1 1/2	700	317
	AEX0805*S6A^A	2	1 1/8	15/8	1/4	1 1/2	700	317
	AEX1225*S6A^A	3	1 1/8	15/8	1/4	1 1/2	950	431
	AEX1315*S6A^A	4	1 3/8	15/8	1/4	1 1/2	1,200	544
	AEX1605*S6A^A	4	1 3/8	15/8	1/4	1 1/2	1,200	544
	AEX1765*S6A^A	5	1 3/8	15/8	1/4	1 1/2	1,450	658

**Notes:**

\* = Electrical Code Designator (see Nomenclature details)

^ = Motor Code Designator (see Nomenclature details)

# PHYSICAL DATA

## Electric Defrost

	Model	No. of Fans	Coil Inlet OD	Suction OD	Equalizer OD	Drain MPT	Est. Net Weight	
							lbs.	kg
3 Fins Per Inch	AEX0325*S3E^A	1	7/8	15/8	1/4	1 1/2	500	227
	AEX0505*S3E^A	2	7/8	15/8	1/4	1 1/2	700	317
	AEX0595*S3E^A	2	1 1/8	15/8	1/4	1 1/2	700	317
	AEX0930*S3E^A	3	1 1/8	15/8	1/4	1 1/2	950	431
	AEX0975*S3E^A	4	1 1/8	15/8	1/4	1 1/2	1,200	544
	AEX1230*S3E^A	4	1 3/8	15/8	1/4	1 1/2	1,200	544
	AEX1620*S3E^A	5	1 3/8	15/8	1/4	1 1/2	1,450	658
4 Fins Per Inch	AEX0390*S4E^A	1	7/8	15/8	1/4	1 1/2	500	227
	AEX0580*S4E^A	2	1 1/8	15/8	1/4	1 1/2	700	317
	AEX0675*S4E^A	2	1 1/8	15/8	1/4	1 1/2	700	317
	AEX1050*S4E^A	3	1 1/8	15/8	1/4	1 1/2	950	431
	AEX1110*S4E^A	4	1 1/8	15/8	1/4	1 1/2	1,200	544
	AEX1385*S4E^A	4	1 3/8	15/8	1/4	1 1/2	1,200	544
	AEX1460*S4E^A	5	1 3/8	15/8	1/4	1 1/2	1,450	658
6 Fins Per Inch	AEX0475*S6E^A	1	7/8	15/8	1/4	1 1/2	500	227
	AEX0700*S6E^A	2	1 1/8	15/8	1/4	1 1/2	700	317
	AEX0805*S6E^A	2	1 1/8	15/8	1/4	1 1/2	700	317
	AEX1225*S6E^A	3	1 1/8	15/8	1/4	1 1/2	950	431
	AEX1315*S6E^A	4	1 3/8	15/8	1/4	1 1/2	1,200	544
	AEX1605*S6E^A	4	1 3/8	15/8	1/4	1 1/2	1,200	544
	AEX1765*S6E^A	5	1 3/8	15/8	1/4	1 1/2	1,450	658

**Notes:**

\* = Electrical Code Designator (see Nomenclature details)

^ = Motor Code Designator (see Nomenclature details)

# PHYSICAL DATA

## Hot Gas Defrost

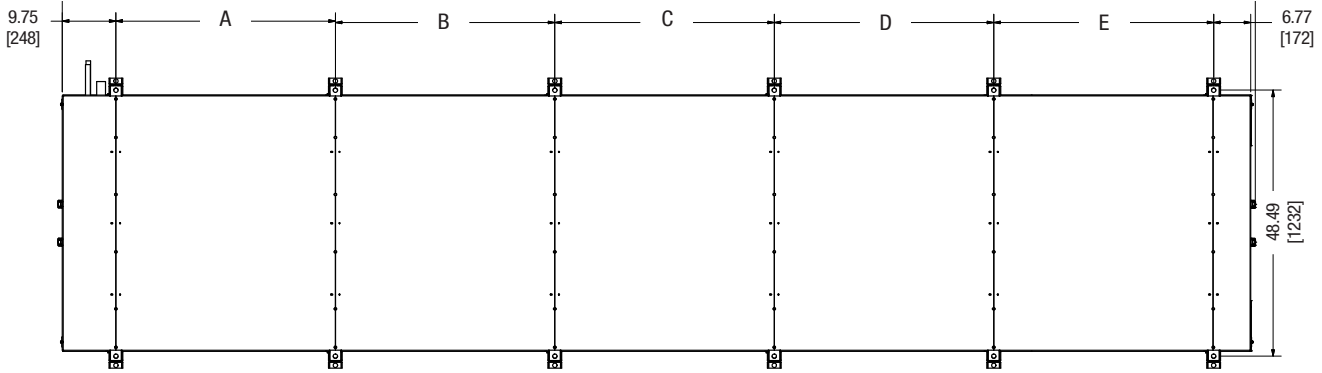
	Model	No. of Fans	Coil Inlet OD	Suction OD	Equalizer OD	Drain MPT	Side Port OD	Hot Gas Pan Conns OD	Est. Net Weight	
									lbs.	kg
3 Fins Per Inch	AEX0325*S3H^A	1	7/8	15/8	1/4	1 1/2	Conns	15/8	531	241
	AEX0505*S3H^A	2	7/8	15/8	1/4	1 1/2	1/2	15/8	742	336
	AEX0595*S3H^A	2	1 1/8	15/8	1/4	1 1/2	5/8	15/8	742	336
	AEX0930*S3H^A	3	1 1/8	15/8	1/4	1 1/2	5/8	15/8	1,001	454
	AEX0975*S3H^A	4	1 1/8	15/8	1/4	1 1/2	5/8	15/8	1,260	572
	AEX1230*S3H^A	4	1 3/8	15/8	1/4	1 1/2	7/8	15/8	1,260	572
	AEX1620*S3H^A	5	1 3/8	15/8	1/4	1 1/2	7/8	15/8	1,518	689
4 Fins Per Inch	AEX0390*S4H^A	1	7/8	15/8	1/4	1 1/2	1/2	15/8	531	241
	AEX0580*S4H^A	2	1 1/8	15/8	1/4	1 1/2	5/8	15/8	742	336
	AEX0675*S4H^A	2	1 1/8	15/8	1/4	1 1/2	5/8	15/8	742	336
	AEX1050*S4H^A	3	1 1/8	15/8	1/4	1 1/2	5/8	15/8	1,001	454
	AEX1110*S4H^A	4	1 1/8	15/8	1/4	1 1/2	5/8	15/8	1,260	572
	AEX1385*S4H^A	4	1 3/8	15/8	1/4	1 1/2	7/8	15/8	1,260	572
	AEX1460*S4H^A	5	1 3/8	15/8	1/4	1 1/2	7/8	15/8	1,518	689
6 Fins Per Inch	AEX0475*S6H^A	1	7/8	15/8	1/4	1 1/2	1/2	15/8	531	241
	AEX0700*S6H^A	2	1 1/8	15/8	1/4	1 1/2	5/8	15/8	742	336
	AEX0805*S6H^A	2	1 1/8	15/8	1/4	1 1/2	5/8	15/8	742	336
	AEX1225*S6H^A	3	1 1/8	15/8	1/4	1 1/2	5/8	15/8	1,001	454
	AEX1315*S6H^A	4	1 3/8	15/8	1/4	1 1/2	7/8	15/8	1,260	572
	AEX1605*S6H^A	4	1 3/8	15/8	1/4	1 1/2	7/8	15/8	1,260	572
	AEX1765*S6H^A	5	1 3/8	15/8	1/4	1 1/2	7/8	15/8	1,518	689

### Notes:

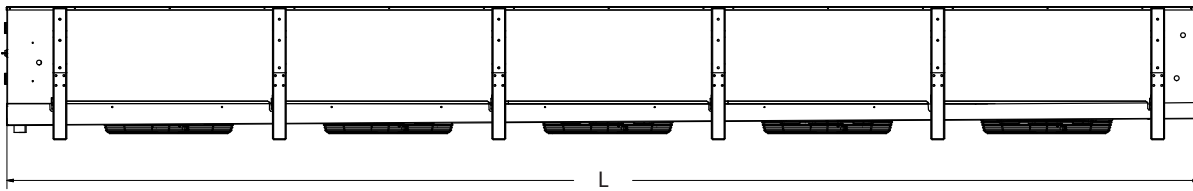
\* = Electrical Code Designator (see Nomenclature details)

^ = Motor Code Designator (see Nomenclature details)

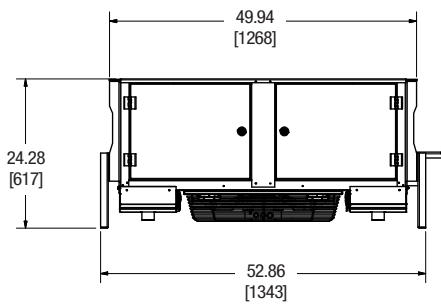
# DIMENSIONAL DATA



TOP VIEW



FRONT VIEW



SIDE VIEW

No. of Fans	L		A		B		C		D		E	
	in.	mm	in.	mm	in.	mm	in.	mm	in.	mm	in.	mm
1	56 1/3	1,431	40	1,016	-	-	-	-	-	-	-	-
2	96 2/5	2,449	40	1,016	40	1,016	-	-	-	-	-	-
3	137 1/3	3,488	40	1,016	40	1,016	40	1,016	-	-	-	-
4	177 1/3	4,504	40	1,016	40	1,016	40	1,016	40	1,016	-	-
5	217 1/3	5,520	40	1,016	40	1,016	40	1,016	40	1,016	40	1,016



2175 West Park Place Blvd.

Stone Mountain, GA 30087

Phone: 800.537.7775 · Fax: 770.465.5900

[heatcrafttrpd.com](http://heatcrafttrpd.com)

Since product improvement is a continuing effort, we reserve the right to make changes in specifications without notice.

**XCM-1120 | Version 001**

©2020 Heatcraft Refrigeration Products LLC