

# LARGE WAREHOUSE UNIT COOLER

Technical Guide



## TABLE OF CONTENTS

<b>3</b>	Features & Benefits
<b>3</b>	Outstanding Features/24" Model
<b>4</b>	Outstanding Features/30" Model
<b>5</b>	Nomenclature
<b>6</b>	Performance Data - Air Defrost - 60 Hz
<b>10</b>	Unit Specifications
<b>11</b>	Performance Data - Low Temp Electric Defrost - 60 Hz
<b>15</b>	Performance Data - Medium Temp Electric Defrost - 60 Hz
<b>19</b>	Unit Specifications
<b>25</b>	Performance Data - Low Temp Hot Gas Defrost - 60 Hz
<b>29</b>	Performance Data - Medium Temp Hot Gas Defrost - 60 Hz
<b>33</b>	Unit Specifications
<b>39</b>	Performance Data - Air Defrost - 50 Hz
<b>43</b>	Unit Specifications
<b>44</b>	Performance Data - Low Temp Electric Defrost - 50 Hz
<b>48</b>	Performance Data - Medium Temp Electric Defrost - 50 Hz
<b>52</b>	Unit Specifications
<b>54</b>	Performance Data - Low Temp Hot Gas Defrost - 50 Hz
<b>58</b>	Performance Data - Medium Temp Hot Gas Defrost - 50 Hz
<b>62</b>	Unit Specifications
<b>64</b>	Physical Data - Air Defrost
<b>65</b>	Physical Data - Electric Defrost
<b>65</b>	Physical Data - Hot Gas Defrost
<b>67</b>	Dimensional Drawings
<b>69</b>	Standard Nozzles
<b>72</b>	Replacement Parts



# FEATURES & BENEFITS

## STANDARD FEATURES

- Heavy gauge G90 galvanized cabinet provides a heavy duty, durable structure
- High capacity aluminum fin/copper tube evaporator coils with enhanced tubes
- Capacity ranges from 40,000 to over 400,000 BTU/H
- Air, Electric and Hot gas defrost models
- Coil Fin spacing from 4, 6, or 8 FPI
- High efficiency totally enclosed fan motors or wash down rated motors.
- Double wall insulated hinged drain pan.\* Overlap design to prevent exterior condensation. Drain pan is triple pitched for superior condensate removal
- Hinged fan venturi panels
- Hinged end service panels
- Standard refrigerant or CO<sub>2</sub> coil designs

## OPTIONALS

- External rotor motors with hinged venturi panel
- Variable speed motors
- Variable speed motor controls
- White painted cabinet
- Stainless steel cabinet\*
- IntelliGen™ Refrigeration Controller
- Mounted thermal expansion valves
- Mounted electronic expansion valves
- Mounted non-fused disconnect switch
- Coil coatings
- Long air throw fan and motor designs
- Floor mounting legs
- 45 and 90 degree air outlet configurations^
- Extended fan venturi for enhanced air throw
- Mounted solenoid valve
- Mounted thermostat

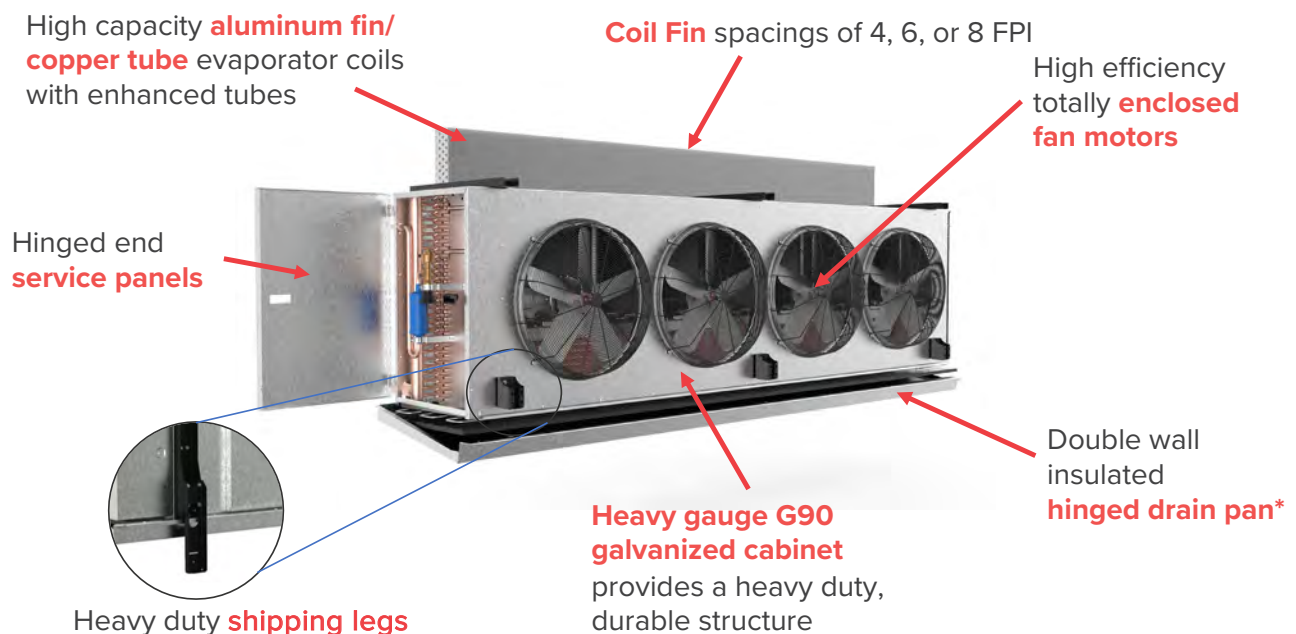
### Notes:

\* Hinged drain pan not available with stainless steel option

^ Hinged fan access panels not available with 45 and 90 degree air outlet configurations

## OUTSTANDING FEATURES

### Heavy Duty Large Warehouse Unit Cooler Standard Features (24" Models)

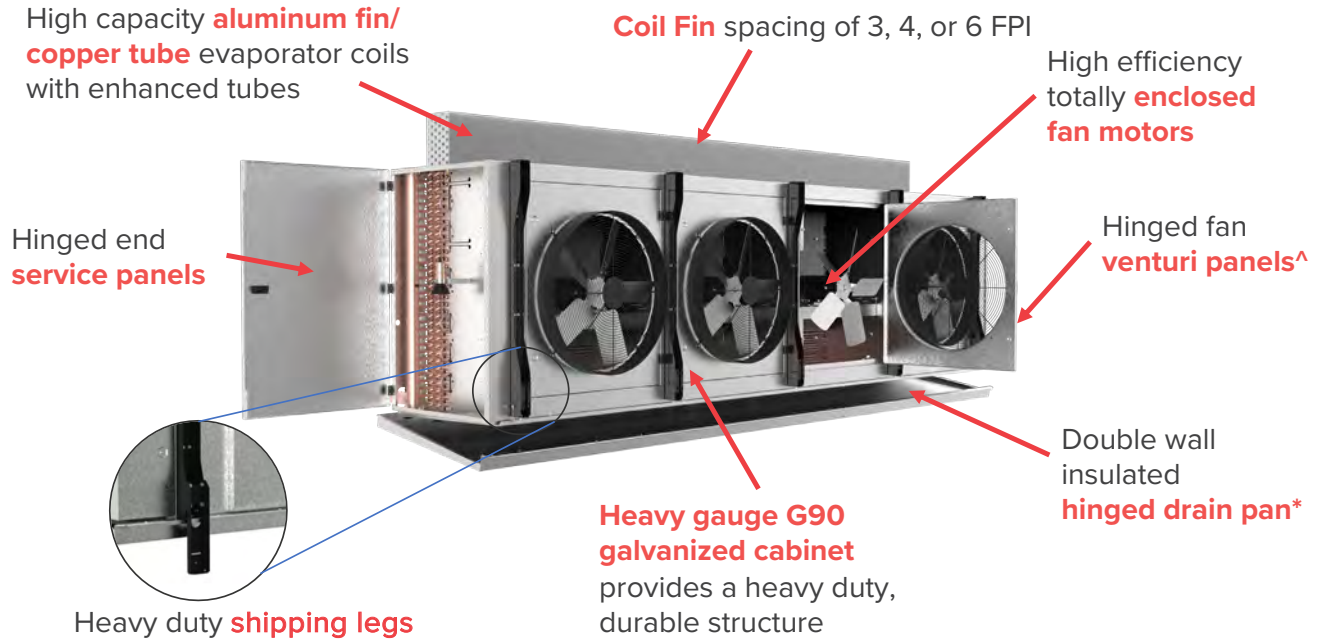


### Notes:

\* Hinged drain pan not available with stainless steel option

**OUTSTANDING FEATURES**

Heavy Duty Large Warehouse Unit Cooler Standard Features (30" Models)



**Notes:**

\* Hinged drain pan not available with stainless steel option

<sup>^</sup> Hinged fan access panels not available with 45 and 90 degree air outlet configurations

# NOMENCLATURE

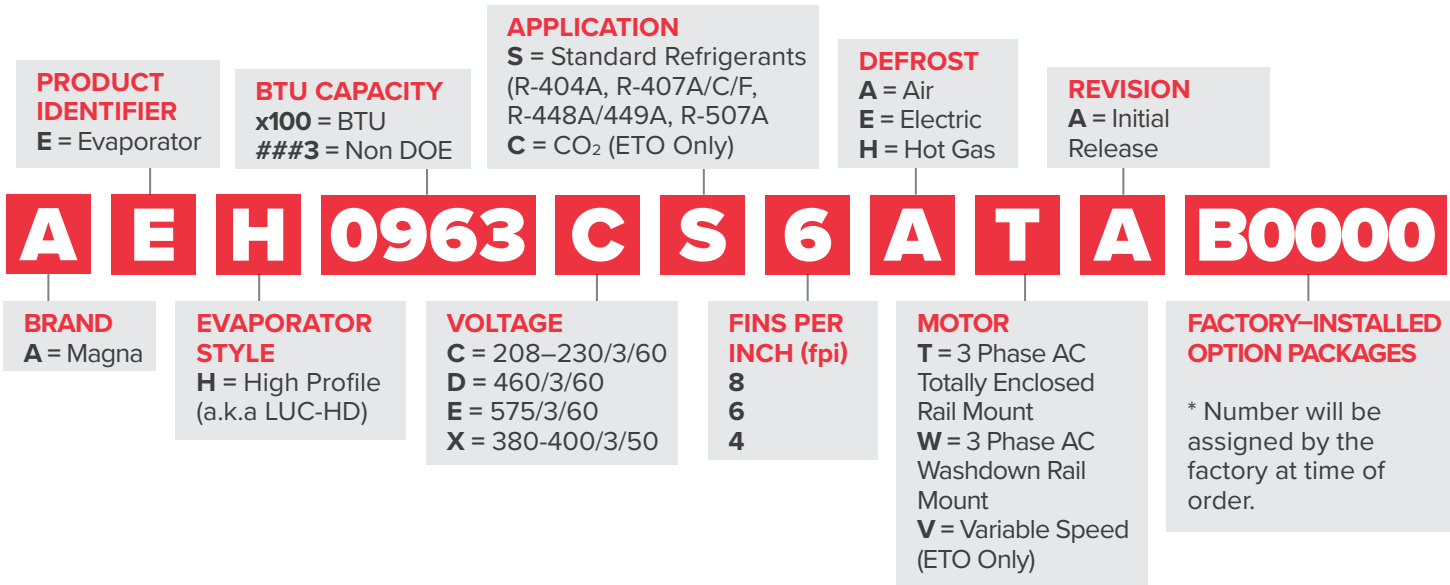


Table 1: Capacity Correction Factors ^

Electric and Hot Gas Defrost Units Only					
Saturated Suction Temperature	20°F (-7°C)	-10°F (-23°C)	-20°F (-29°C)	-30°F (-34°C)	-40°F (-40°C)
Multiply Capacity By	1.15	1.04	1	0.9	0.8

^ Correction factors provided for reference only. Contact Heatcraft sales representative for capacity information at required conditions.

# PERFORMANCE DATA

Selection Capacity: Air Defrost - 60 Hz

Totally Enclosed and Variable Speed Motors														
	Model	Selection Capacity				Fan Data					Air Throw			
		R-404A/R-507A		R-407A/R-407F		No. of Fans	Air Volume		Diameter		Standard		With Collar	
		10°F TD 25°F SST	6°C TD -4°C SST	10°F TD 25°F SST	6°C TD -4°C SST		CFM	m <sup>3</sup> H	in	mm	ft	m	ft	m
		BTUH	Watts	BTUH	Watts									
8 Fins Per Inch	AEH3133*S8ATA	201,671	59,104	325,842	95,495	3	25,950	44,089	30	762	120	37	140	43
	AEH3783*S8ATB	191,213	56,039	276,000	80,888	4	29,600	50,291	30	762	120	37	140	43
	AEH4153*S8ATB	222,930	65,334	318,401	93,314	4	34,600	58,786	30	762	120	37	140	43
6 Fins Per Inch	AEH0573*S6ATA	40,839	11,969	55,919	16,388	2	9,000	15,291	24	610	70	21	85	26
	AEH0743*S6ATA	48,570	14,234	72,355	21,205	2	9,000	15,291	24	610	70	21	85	26
	AEH0773*S6ATA	56,132	16,451	74,828	21,930	3	12,600	21,408	24	610	70	21	85	26
	AEH0963*S6ATA	65,705	19,256	93,525	27,409	3	12,600	21,408	24	610	70	21	85	26
	AEH1093*S6ATA	76,211	22,335	105,141	30,814	4	16,800	28,543	24	610	70	21	85	26
	AEH1333*S6ATA	93,374	27,365	128,901	37,777	3	20,700	35,170	30	762	100	30	115	35
	AEH1353*S6ATA	90,600	26,552	131,465	38,529	4	16,800	28,543	24	610	70	21	85	26
	AEH1663*S6ATA	110,168	32,287	160,884	47,150	3	20,700	35,170	30	762	100	30	115	35
	AEH1913*S6ATA	126,735	37,142	184,498	54,071	3	24,300	41,286	30	762	100	30	115	35
	AEH2853*S6ATA	188,258	55,173	294,085	86,188	3	26,550	45,109	30	762	120	37	140	43
	AEH3233*S6ATB	177,570	52,041	256,786	75,257	4	30,400	51,650	30	762	120	37	140	43
	AEH3833*S6ATB	212,418	62,254	297,434	87,169	4	35,400	60,145	30	762	120	37	140	43

**Notes:**

\* = Electrical Code Designator (see Nomenclature for details)

# PERFORMANCE DATA

Selection Capacity: Air Defrost - 60 Hz

Totally Enclosed and Variable Speed Motors														
Model	Selection Capacity				No. of Fans	Fan Data				Air Throw				
	R-407C		R-448A/R-449A			Air Volume		Diameter		Standard		With Collar		
	10°F TD 25°F SST	6°C TD -4°C SST	10°F TD 25°F SST	6°C TD -4°C SST		CFM	m <sup>3</sup> H	in	mm	ft	m	ft	m	
	BTUH	Watts	BTUH	Watts										
8 Fins Per Inch	AEH3133*S8ATA	320,764	94,007	351,248	102,941	3	25,950	44,089	30	762	120	37	140	43
	AEH3783*S8ATB	279,585	81,938	312,591	91,611	4	29,600	50,291	30	762	120	37	140	43
	AEH4153*S8ATB	322,836	94,614	361,245	105,870	4	34,600	58,786	30	762	120	37	140	43
6 Fins Per Inch	AEH0573*S6ATA	60,040	17,596	57,794	16,938	2	9,000	15,291	24	610	70	21	85	26
	AEH0743*S6ATA	75,306	22,070	74,994	21,979	2	9,000	15,291	24	610	70	21	85	26
	AEH0773*S6ATA	80,246	23,518	77,313	22,658	3	12,600	21,408	24	610	70	21	85	26
	AEH0963*S6ATA	100,180	29,360	96,608	28,313	3	12,600	21,408	24	610	70	21	85	26
	AEH1093*S6ATA	110,678	32,437	109,118	31,979	4	16,800	28,543	24	610	70	21	85	26
	AEH1333*S6ATA	135,093	39,592	133,914	39,246	3	20,700	35,170	30	762	100	30	115	35
	AEH1353*S6ATA	138,006	40,446	135,927	39,836	4	16,800	28,543	24	610	70	21	85	26
	AEH1663*S6ATA	168,895	49,498	166,433	48,777	3	20,700	35,170	30	762	100	30	115	35
	AEH1913*S6ATA	193,676	56,761	191,260	56,053	3	24,300	41,286	30	762	100	30	115	35
	AEH2853*S6ATA	294,426	86,288	311,008	91,147	3	26,550	45,109	30	762	120	37	140	43
	AEH3233*S6ATB	256,194	75,083	278,371	81,582	4	30,400	51,650	30	762	120	37	140	43
	AEH3833*S6ATB	307,582	90,144	314,430	92,150	4	35,400	60,145	30	762	120	37	140	43

**Notes:**

\* = Electrical Code Designator (see Nomenclature for details)

# PERFORMANCE DATA

Selection Capacity: Air Defrost - 60 Hz

Washdown Motors														
Model	Selection Capacity				No. of Fans	Fan Data				Air Throw				
	R-404A/R-507A		R-407A/R-407F			Air Volume		Diameter		Standard		With Collar		
	10°F TD 25°F SST	6°C TD -4°C SST	10°F TD 25°F SST	6°C TD -4°C SST		CFM	m <sup>3</sup> H	in	mm	ft	m	ft	m	
	BTUH	Watts	BTUH	Watts										
8 Fins Per Inch	AEH2543*S8AWA	167,569	49,110	276,807	81,124	3	17,600	29,903	30	762	-	-	-	-
	AEH3023*S8AWB	154,551	45,294	231,420	67,822	4	20,100	34,150	30	762	-	-	-	-
	AEH3403*S8AWB	177,676	52,072	267,471	78,388	4	23,500	39,927	30	762	-	-	-	-
6 Fins Per Inch	AEH0463*S6AWA	31,776	9,313	45,520	13,341	2	6,100	10,364	24	610	-	-	-	-
	AEH0593*S6AWA	37,155	10,889	58,392	17,113	2	6,100	10,364	24	610	-	-	-	-
	AEH0623*S6AWA	43,076	12,624	61,028	17,886	3	8,500	14,442	24	610	-	-	-	-
	AEH0763*S6AWA	49,023	14,367	75,323	22,075	3	8,500	14,442	24	610	-	-	-	-
	AEH0883*S6AWA	59,417	17,413	85,871	25,166	4	11,400	19,369	24	610	-	-	-	-
	AEH1073*S6AWA	67,803	19,871	105,975	31,058	4	11,400	19,369	24	610	-	-	-	-
	AEH1083*S6AWA	73,181	21,447	105,375	30,882	3	14,000	23,786	30	762	-	-	-	-
	AEH1323*S6AWA	83,108	24,357	129,775	38,033	3	14,000	23,786	30	762	-	-	-	-
	AEH1523*S6AWA	97,310	28,519	149,187	43,722	3	16,500	28,034	30	762	-	-	-	-
	AEH2293*S6AWA	156,340	45,819	253,117	74,181	3	18,000	30,582	30	762	-	-	-	-
	AEH2633*S6AWB	140,143	41,072	213,920	62,694	4	20,600	35,000	30	762	-	-	-	-
AEH3073*S6AWB	163,825	48,012	243,737	71,432	4	24,000	40,776	30	762	-	-	-	-	

**Notes:**

\* = Electrical Code Designator (see Nomenclature for details)



# PERFORMANCE DATA

Selection Capacity: Air Defrost - 60 Hz

Washdown Motors														
Model	Selection Capacity				Fan Data						Air Throw			
	R-407C		R-448A/R-449A											
	10°F TD 25°F SST	6°C TD -4°C SST	10°F TD 25°F SST	6°C TD -4°C SST	No. of Fans	Air Volume		Diameter		Standard		With Collar		
	BTUH	Watts	BTUH	Watts		CFM	m <sup>3</sup> H	in	mm	ft	m	ft	m	
8 Fins Per Inch	AEH2543*S8AWA	277,330	81,277	293,065	85,889	3	17,600	29,903	30	762	-	-	-	-
	AEH3023*S8AWB	236,838	69,410	253,587	74,319	4	20,100	34,150	30	762	-	-	-	-
	AEH3403*S8AWB	273,552	80,170	293,471	86,008	4	23,500	39,927	30	762	-	-	-	-
6 Fins Per Inch	AEH0463*S6AWA	48,343	14,168	46,615	13,662	2	6,100	10,364	24	610	-	-	-	-
	AEH0593*S6AWA	60,850	17,833	59,684	17,492	2	6,100	10,364	24	610	-	-	-	-
	AEH0623*S6AWA	65,225	19,116	62,550	18,332	3	8,500	14,442	24	610	-	-	-	-
	AEH0763*S6AWA	80,412	23,566	76,698	22,478	3	8,500	14,442	24	610	-	-	-	-
	AEH0883*S6AWA	90,188	26,431	88,045	25,803	4	11,400	19,369	24	610	-	-	-	-
	AEH1073*S6AWA	111,271	32,610	108,065	31,671	4	11,400	19,369	24	610	-	-	-	-
	AEH1083*S6AWA	110,382	32,350	108,117	31,686	3	14,000	23,786	30	762	-	-	-	-
	AEH1323*S6AWA	136,256	39,933	132,396	38,801	3	14,000	23,786	30	762	-	-	-	-
	AEH1523*S6AWA	156,606	45,897	152,462	44,682	3	16,500	28,034	30	762	-	-	-	-
	AEH2293*S6AWA	255,241	74,804	262,447	76,916	3	18,000	30,582	30	762	-	-	-	-
	AEH2633*S6AWB	216,497	63,449	226,628	66,418	4	20,600	35,000	30	762	-	-	-	-
	AEH3073*S6AWB	254,281	74,522	254,045	74,453	4	24,000	40,776	30	762	-	-	-	-

**Notes:**

\* = Electrical Code Designator (see Nomenclature for details)

# SPECIFICATIONS

## Air Defrost - 60 Hz

	Model	No. of Motors	Totally Enclosed and Variable Speed Motors								
			208-230/3/60			460/3/60			575/3/60		
			Motor HP	Motor Amps	Motor Watts	Motor HP	Motor Amps	Motor Watts	Motor HP	Motor Amps	Motor Watts
6 Fins Per Inch	AEH0573*S6ATA	2	1	6.0	1,550	1	3.0	1,550	3/4	1.8	1,040
	AEH0743*S6ATA	2	1	6.0	1,550	1	3.0	1,550	3/4	1.8	1,040
	AEH0773*S6ATA	3	1	9.0	2,330	1	4.5	2,330	3/4	2.7	1,560
	AEH0963*S6ATA	3	1	9.0	2,330	1	4.5	2,330	3/4	2.7	1,560
	AEH1093*S6ATA	4	1	12.0	3,110	1	6.0	3,110	3/4	3.6	2,080
	AEH1353*S6ATA	4	1	12.0	3,110	1	6.0	3,110	3/4	3.6	2,080
	AEH1333*S6ATA	3	2-1/4	21.0	7,190	2-1/4	10.5	7,190	2-1/4	7.2	6,170
	AEH1663*S6ATA	3	2-1/4	21.0	7,190	2-1/4	10.5	7,190	2-1/4	7.2	6,170
	AEH1913*S6ATA	3	2-1/4	21.0	7,190	2-1/4	10.5	7,190	2-1/4	7.2	6,170
	AEH2853*S6ATA	3	2-1/4	21.0	7,190	2-1/4	10.5	7,190	2-1/4	7.2	6,170
	AEH3233*S6ATB	4	2-1/4	28.0	9,590	2-1/4	14.0	9,590	2-1/4	9.6	8,220
	AEH3833*S6ATB	4	2-1/4	28.0	9,590	2-1/4	14.0	9,590	2-1/4	9.6	8,220
8 Fins Per Inch	AEH3133*S8ATA	3	2-1/4	21.0	7,190	2-1/4	10.5	7,190	2-1/4	7.2	6,170
	AEH3783*S8ATB	4	2-1/4	28.0	9,590	2-1/4	14.0	9,590	2-1/4	9.6	8,220
	AEH4153*S8ATB	4	2-1/4	28.0	9,590	2-1/4	14.0	9,590	2-1/4	9.6	8,220

	Model	No. of Motors	Washdown Motors								
			208-230/3/60			460/3/60			575/3/60		
			Motor HP	Motor Amps	Motor Watts	Motor HP	Motor Amps	Motor Watts	Motor HP	Motor Amps	Motor Watts
6 Fins Per Inch	AEH0463*S6AWA	2	1-3/4	13.0	3,160	1-3/4	6.6	3,210	1-3/4	4.8	2,920
	AEH0593*S6AWA	2	1-3/4	13.0	3,160	1-3/4	6.6	3,210	1-3/4	4.8	2,920
	AEH0623*S6AWA	3	1-3/4	19.5	4,740	1-3/4	9.9	4,810	1-3/4	7.2	4,370
	AEH0763*S6AWA	3	1-3/4	19.5	4,740	1-3/4	9.9	4,810	1-3/4	7.2	4,370
	AEH0883*S6AWA	4	1-3/4	26.0	6,320	1-3/4	13.2	6,420	1-3/4	9.6	5,830
	AEH1073*S6AWA	4	1-3/4	26.0	6,320	1-3/4	13.2	6,420	1-3/4	9.6	5,830
	AEH1083*S6AWA	3	1-3/4	19.5	4,740	1-3/4	9.9	4,810	1-3/4	7.2	4,370
	AEH1323*S6AWA	3	1-3/4	19.5	4,740	1-3/4	9.9	4,810	1-3/4	7.2	4,370
	AEH1523*S6AWA	3	1-3/4	19.5	4,740	1-3/4	9.9	4,810	1-3/4	7.2	4,370
	AEH2293*S6AWA	3	1-3/4	19.5	4,740	1-3/4	9.9	4,810	1-3/4	7.2	4,370
	AEH2633*S6AWB	4	1-3/4	26.0	6,320	1-3/4	13.2	6,420	1-3/4	9.6	5,830
	AEH3073*S6AWB	4	1-3/4	26.0	6,320	1-3/4	13.2	6,420	1-3/4	9.6	5,830
8 Fins Per Inch	AEH2543*S8AWA	3	1-3/4	19.5	4,740	1-3/4	9.9	4,810	1-3/4	7.2	4,370
	AEH3023*S8AWB	4	1-3/4	26.0	6,320	1-3/4	13.2	6,420	1-3/4	9.6	5,830
	AEH3403*S8AWB	4	1-3/4	26.0	6,320	1-3/4	13.2	6,420	1-3/4	9.6	5,830

**Notes:**

\* = Electrical Code Designator (see Nomenclature for details)

# PERFORMANCE DATA

Selection Capacity: Low Temp Electric Defrost - 60 Hz

Totally Enclosed and Variable Speed Motors														
Model	Selection Capacity				Fan Data						Air Throw			
	R-404A/R-507A		R-407A/R-407F		No. of Fans	Air Volume		Diameter		Standard		With Collar		
	10°F TD -20°F SST	6°C TD -29°C SST <50% RH	10°F TD -20°F SST <50% RH	6°C TD -29°C SST <50% RH		CFM	m <sup>3</sup> H	in	mm	ft	m	ft	m	
	BTUH	Watts	BTUH	Watts										
6 Fins Per Inch	AEH0453*S6ETA	31,450	9,217	42,180	12,362	2	9,000	15,291	24	610	70	21	85	26
	AEH0553*S6ETA	37,374	10,953	51,746	15,165	2	9,000	15,291	24	610	70	21	85	26
	AEH0613*S6ETA	43,122	12,638	57,377	16,816	3	12,600	21,408	24	610	70	21	85	26
	AEH0763*S6ETA	52,960	15,521	71,940	21,084	3	12,600	21,408	24	610	70	21	85	26
	AEH0823*S6ETA	56,899	16,675	76,780	22,502	4	16,800	28,543	24	610	70	21	85	26
	AEH1003*S6ETA	69,329	20,318	93,598	27,431	3	20,700	35,170	30	762	100	30	115	35
	AEH1023*S6ETA	70,096	20,543	96,562	28,300	4	16,800	28,543	24	610	70	21	85	26
	AEH1253*S6ETA	85,886	25,171	118,098	34,611	3	20,700	35,170	30	762	100	30	115	35
	AEH1443*S6ETA	98,524	28,875	135,019	39,570	3	24,300	41,286	30	762	100	30	115	35
	AEH1713*S6ETA	117,220	34,354	165,922	48,627	3	26,550	45,109	30	762	120	37	140	43
AEH2303*S6ETB	139,578	40,906	183,358	53,737	4	35,400	60,145	30	762	120	37	140	43	
4.5 Fins Per Inch	AEH0403*S4ETA	28,374	8,316	37,917	11,112	2	9,400	15,971	24	610	70	21	85	26
	AEH0503*S4ETA	34,536	10,122	47,466	13,911	2	9,400	15,971	24	610	70	21	85	26
	AEH0543*S4ETA	38,812	11,375	51,491	15,091	3	13,200	22,427	24	610	70	21	85	26
	AEH0693*S4ETA	48,279	14,149	65,179	19,102	3	13,200	22,427	24	610	70	21	85	26
	AEH0733*S4ETA	51,706	15,154	69,520	20,374	4	17,600	29,903	24	610	70	21	85	26
	AEH0893*S4ETA	63,024	18,471	84,704	24,824	3	21,600	36,699	30	762	100	30	115	35
	AEH0933*S4ETA	64,531	18,912	88,174	25,841	4	17,600	29,903	24	610	70	21	85	26
	AEH1143*S4ETA	78,791	23,091	107,630	31,543	3	21,600	36,699	30	762	100	30	115	35
	AEH1303*S4ETA	90,117	26,411	122,764	35,979	3	25,200	42,815	30	762	100	30	115	35
	AEH1593*S4ETA	111,138	32,571	155,549	45,587	3	27,600	46,893	30	762	120	37	140	43
AEH2143*S4ETB	129,856	38,057	169,451	49,661	4	36,800	62,524	30	762	120	37	140	43	

**Notes:**

\* = Electrical Code Designator (see Nomenclature for details)

# PERFORMANCE DATA

Selection Capacity: Low Temp Electric Defrost - 60 Hz

Totally Enclosed and Variable Speed Motors														
Model	Selection Capacity				No. of Fans	Fan Data				Air Throw				
	R-407C		R-448A/R-449A			Air Volume		Diameter		Standard		With Collar		
	10°F TD -20°F SST	6°C TD -29°C SST	10°F TD -20°F SST	6°C TD -29°C SST										
	BTUH	Watts	BTUH	Watts		CFM	m <sup>3</sup> H	in	mm	ft	m	ft	m	
6 Fins Per Inch	AEH0453*S6ETA	40,269	11,802	45,001	13,188	2	9,000	15,291	24	610	70	21	85	26
	AEH0553*S6ETA	47,643	13,963	55,273	16,199	2	9,000	15,291	24	610	70	21	85	26
	AEH0613*S6ETA	55,571	16,286	61,408	17,997	3	12,600	21,408	24	610	70	21	85	26
	AEH0763*S6ETA	69,788	20,453	76,650	22,464	3	12,600	21,408	24	610	70	21	85	26
	AEH0823*S6ETA	71,622	20,990	82,167	24,081	4	16,800	28,543	24	610	70	21	85	26
	AEH1003*S6ETA	87,033	25,507	100,234	29,376	3	20,700	35,170	30	762	100	30	115	35
	AEH1023*S6ETA	90,357	26,481	102,889	30,154	4	16,800	28,543	24	610	70	21	85	26
	AEH1253*S6ETA	110,506	32,386	125,830	36,877	3	20,700	35,170	30	762	100	30	115	35
	AEH1443*S6ETA	126,070	36,947	144,008	42,205	3	24,300	41,286	30	762	100	30	115	35
	AEH1713*S6ETA	143,971	42,194	178,604	52,344	3	26,550	45,109	30	762	120	37	140	43
AEH2303*S6ETB	170,179	49,875	203,151	59,538	4	35,400	60,145	30	762	120	37	140	43	
4.5 Fins Per Inch	AEH0403*S4ETA	36,304	10,640	40,172	11,773	2	9,400	15,971	24	610	70	21	85	26
	AEH0503*S4ETA	43,969	12,886	50,118	14,688	2	9,400	15,971	24	610	70	21	85	26
	AEH0543*S4ETA	49,936	14,635	54,791	16,058	3	13,200	22,427	24	610	70	21	85	26
	AEH0693*S4ETA	63,271	18,543	69,073	20,243	3	13,200	22,427	24	610	70	21	85	26
	AEH0733*S4ETA	65,152	19,094	73,776	21,622	4	17,600	29,903	24	610	70	21	85	26
	AEH0893*S4ETA	79,175	23,204	89,908	26,349	3	21,600	36,699	30	762	100	30	115	35
	AEH0933*S4ETA	82,858	24,283	93,384	27,368	4	17,600	29,903	24	610	70	21	85	26
	AEH1143*S4ETA	101,164	29,648	114,000	33,410	3	21,600	36,699	30	762	100	30	115	35
	AEH1303*S4ETA	115,248	33,776	130,156	38,145	3	25,200	42,815	30	762	100	30	115	35
	AEH1593*S4ETA	136,718	40,068	168,744	49,454	3	27,600	46,893	30	762	120	37	140	43
AEH2143*S4ETB	158,488	46,448	186,367	54,619	4	36,800	62,524	30	762	120	37	140	43	

**Notes:**

\* = Electrical Code Designator (see Nomenclature for details)

# PERFORMANCE DATA

Selection Capacity: Low Temp Electric Defrost - 60 Hz

Washdown Motors														
Model	Selection Capacity				Fan Data						Air Throw			
	R-404A/R-507A		R-407A/R-407F		No. of Fans	Air Volume		Diameter		Standard		With Collar		
	10°F TD -20°F SST	6°C TD -29°C SST	10°F TD -20°F SST	6°C TD -29°C SST		CFM	m³H	in	mm	ft	m	ft	m	
	BTUH	Watts	BTUH	Watts										
6 Fins Per Inch	AEH0363*S6EWA	25,329	7,423	34,806	10,201	2	6,100	10,364	24	610	-	-	-	-
	AEH0443*S6EWA	30,160	8,839	42,882	12,567	2	6,100	10,364	24	610	-	-	-	-
	AEH0493*S6EWA	34,631	10,149	47,250	13,848	3	8,500	14,442	24	610	-	-	-	-
	AEH0613*S6EWA	41,820	12,256	58,450	17,130	3	8,500	14,442	24	610	-	-	-	-
	AEH0673*S6EWA	46,378	13,592	64,024	18,764	4	11,400	19,369	24	610	-	-	-	-
	AEH0823*S6EWA	56,676	16,610	78,227	22,926	3	14,000	23,786	30	762	-	-	-	-
	AEH0833*S6EWA	56,201	16,471	79,409	23,272	4	11,400	19,369	24	610	-	-	-	-
	AEH1023*S6EWA	68,820	20,169	97,218	28,492	3	14,000	23,786	30	762	-	-	-	-
	AEH1173*S6EWA	79,247	23,225	111,495	32,676	3	16,500	28,034	30	762	-	-	-	-
	AEH1433*S6EWA	101,070	29,621	147,365	43,189	3	18,000	30,582	30	762	-	-	-	-
	AEH1933*S6EWB	115,495	33,848	155,937	45,701	4	24,000	40,776	30	762	-	-	-	-
4.5 Fins Per Inch	AEH0323*S4EWA	22,881	6,706	31,232	9,153	2	6,400	10,874	24	610	-	-	-	-
	AEH0413*S4EWA	27,920	8,183	39,242	11,501	2	6,400	10,874	24	610	-	-	-	-
	AEH0443*S4EWA	31,238	9,155	42,366	12,416	3	9,000	15,291	24	610	-	-	-	-
	AEH0553*S4EWA	38,320	11,230	53,012	15,536	3	9,000	15,291	24	610	-	-	-	-
	AEH0603*S4EWA	42,138	12,349	57,775	16,932	4	11,900	20,218	24	610	-	-	-	-
	AEH0743*S4EWA	51,389	15,061	70,509	20,664	3	14,600	24,806	30	762	-	-	-	-
	AEH0753*S4EWA	51,767	15,171	72,440	21,230	4	11,900	20,218	24	610	-	-	-	-
	AEH0923*S4EWA	63,248	18,536	88,457	25,924	3	14,600	24,806	30	762	-	-	-	-
	AEH1063*S4EWA	72,544	21,261	101,136	29,640	3	17,100	29,053	30	762	-	-	-	-
	AEH1333*S4EWA	96,703	28,341	138,905	40,709	3	18,700	31,771	30	762	-	-	-	-
AEH1783*S4EWB	107,493	31,503	143,779	42,138	4	25,000	42,475	30	762	-	-	-	-	

**Notes:**

\* = Electrical Code Designator (see Nomenclature for details)

# PERFORMANCE DATA

Selection Capacity: Low Temp Electric Defrost - 60 Hz

Washdown Motors														
Model	Selection Capacity				No. of Fans	Fan Data				Air Throw				
	R-407C		R-448A/R-449A			Air Volume		Diameter		Standard		With Collar		
	10°F TD -20°F SST	6°C TD -29°C SST	10°F TD -20°F SST	6°C TD -29°C SST										
	BTUH	Watts	BTUH	Watts		CFM	m³H	in	mm	ft	m	ft	m	
6 Fins Per Inch	AEH0363*S6EWA	33,423	9,795	36,774	10,777	2	6,100	10,364	24	610	-	-	-	-
	AEH0443*S6EWA	39,903	11,694	44,950	13,174	2	6,100	10,364	24	610	-	-	-	-
	AEH0493*S6EWA	45,905	13,453	49,988	14,650	3	8,500	14,442	24	610	-	-	-	-
	AEH0613*S6EWA	56,862	16,665	61,693	18,080	3	8,500	14,442	24	610	-	-	-	-
	AEH0673*S6EWA	60,257	17,660	67,527	19,790	4	11,400	19,369	24	610	-	-	-	-
	AEH0823*S6EWA	73,451	21,526	82,818	24,272	3	14,000	23,786	30	762	-	-	-	-
	AEH0833*S6EWA	74,975	21,973	83,735	24,540	4	11,400	19,369	24	610	-	-	-	-
	AEH1023*S6EWA	91,794	26,902	102,486	30,036	3	14,000	23,786	30	762	-	-	-	-
	AEH1173*S6EWA	105,099	30,801	117,606	34,467	3	16,500	28,034	30	762	-	-	-	-
	AEH1433*S6EWA	130,022	38,106	156,496	45,864	3	18,000	30,582	30	762	-	-	-	-
	AEH1933*S6EWB	146,730	43,002	170,335	49,920	4	24,000	40,776	30	762	-	-	-	-
4.5 Fins Per Inch	AEH0323*S4EWA	30,037	8,803	32,827	9,621	2	6,400	10,874	24	610	-	-	-	-
	AEH0413*S4EWA	36,723	10,762	41,001	12,016	2	6,400	10,874	24	610	-	-	-	-
	AEH0443*S4EWA	41,154	12,061	44,575	13,064	3	9,000	15,291	24	610	-	-	-	-
	AEH0553*S4EWA	51,567	15,113	55,739	16,335	3	9,000	15,291	24	610	-	-	-	-
	AEH0603*S4EWA	54,582	15,996	60,674	17,782	4	11,900	20,218	24	610	-	-	-	-
	AEH0743*S4EWA	66,445	19,473	74,045	21,700	3	14,600	24,806	30	762	-	-	-	-
	AEH0753*S4EWA	68,635	20,115	75,968	22,264	4	11,900	20,218	24	610	-	-	-	-
	AEH0923*S4EWA	83,780	24,553	92,785	27,193	3	14,600	24,806	30	762	-	-	-	-
	AEH1063*S4EWA	95,703	28,048	106,151	31,110	3	17,100	29,053	30	762	-	-	-	-
	AEH1333*S4EWA	123,487	36,191	147,929	43,354	3	18,700	31,771	30	762	-	-	-	-
AEH1783*S4EWB	135,964	39,847	155,421	45,549	4	25,000	42,475	30	762	-	-	-	-	

**Notes:**

\* = Electrical Code Designator (see Nomenclature for details)

# PERFORMANCE DATA

Selection Capacity: Medium Temp Electric Defrost - 60 Hz

Totally Enclosed and Variable Speed Motors														
Model	Selection Capacity				No. of Fans	Fan Data				Air Throw				
	R-404A/R-507A		R-407A/R-407F			Air Volume		Diameter		Standard		With Collar		
	10°F TD 25°F SST	6°C TD -4°C SST	10°F TD 25°F SST	6°C TD -4°C SST										
	BTUH	Watts	BTUH	Watts		CFM	m <sup>3</sup> H	in	mm	ft	m	ft	m	
6 Fins Per Inch	AEH0453*6ETA	36,482	10,692	48,929	14,340	2	9,000	15,291	24	610	70	21	85	26
	AEH0553*6ETA	43,354	12,706	60,025	17,592	2	9,000	15,291	24	610	70	21	85	26
	AEH0613*6ETA	50,022	14,660	66,557	19,506	3	12,600	21,408	24	610	70	21	85	26
	AEH0763*6ETA	61,434	18,004	83,450	24,457	3	12,600	21,408	24	610	70	21	85	26
	AEH0823*6ETA	66,003	19,343	89,065	26,102	4	16,800	28,543	24	610	70	21	85	26
	AEH1003*6ETA	80,422	23,569	108,574	31,820	3	20,700	35,170	30	762	100	30	115	35
	AEH1023*6ETA	81,311	23,830	112,012	32,827	4	16,800	28,543	24	610	70	21	85	26
	AEH1253*6ETA	99,628	29,198	136,994	40,149	3	20,700	35,170	30	762	100	30	115	35
	AEH1443*6ETA	114,288	33,494	156,622	45,901	3	24,300	41,286	30	762	100	30	115	35
	AEH1713*6ETA	135,975	39,850	192,470	56,407	3	26,550	45,109	30	762	120	37	140	43
	AEH2303*6ETB	161,910	47,451	212,695	62,335	4	35,400	60,145	30	762	120	37	140	43
4.5 Fins Per Inch	AEH0403*4ETA	32,914	9,646	43,984	12,890	2	9,400	15,971	24	610	70	21	85	26
	AEH0503*4ETA	40,062	11,741	55,061	16,137	2	9,400	15,971	24	610	70	21	85	26
	AEH0543*4ETA	45,022	13,195	59,730	17,505	3	13,200	22,427	24	610	70	21	85	26
	AEH0693*4ETA	56,004	16,413	75,608	22,158	3	13,200	22,427	24	610	70	21	85	26
	AEH0733*4ETA	59,979	17,578	80,643	23,634	4	17,600	29,903	24	610	70	21	85	26
	AEH0893*4ETA	73,108	21,426	98,257	28,796	3	21,600	36,699	30	762	100	30	115	35
	AEH0933*4ETA	74,856	21,938	102,282	29,976	4	17,600	29,903	24	610	70	21	85	26
	AEH1143*4ETA	91,398	26,786	124,851	36,590	3	21,600	36,699	30	762	100	30	115	35
	AEH1303*4ETA	104,536	30,636	142,406	41,735	3	25,200	42,815	30	762	100	30	115	35
	AEH1593*4ETA	128,920	37,783	180,437	52,881	3	27,600	46,893	30	762	120	37	140	43
	AEH2143*4ETB	150,633	44,146	196,563	57,607	4	36,800	62,524	30	762	120	37	140	43

**Notes:**

\* = Electrical Code Designator (see Nomenclature for details)

# PERFORMANCE DATA

Selection Capacity: Medium Temp Electric Defrost - 60 Hz

Totally Enclosed and Variable Speed Motors														
Model	Selection Capacity				No. of Fans	Fan Data				Air Throw				
	R-407C		R-448A/R-449A			Air Volume		Diameter		Standard		With Collar		
	10°F TD 25°F SST	6°C TD -4°C SST	10°F TD 25°F SST	6°C TD -4°C SST										
	BTUH	Watts	BTUH	Watts		CFM	m³H	in	mm	ft	m	ft	m	
6 Fins Per Inch	AEH0453*6ETA	46,712	13,690	52,201	15,299	2	9,000	15,291	24	610	70	21	85	26
	AEH0553*6ETA	55,266	16,197	64,117	18,791	2	9,000	15,291	24	610	70	21	85	26
	AEH0613*6ETA	64,462	18,892	71,233	20,876	3	12,600	21,408	24	610	70	21	85	26
	AEH0763*6ETA	80,954	23,725	88,914	26,058	3	12,600	21,408	24	610	70	21	85	26
	AEH0823*6ETA	83,082	24,349	95,314	27,934	4	16,800	28,543	24	610	70	21	85	26
	AEH1003*6ETA	100,958	29,588	116,271	34,076	3	20,700	35,170	30	762	100	30	115	35
	AEH1023*6ETA	104,814	30,718	119,351	34,978	4	16,800	28,543	24	610	70	21	85	26
	AEH1253*6ETA	128,187	37,568	145,963	42,777	3	20,700	35,170	30	762	100	30	115	35
	AEH1443*6ETA	146,241	42,859	167,049	48,957	3	24,300	41,286	30	762	100	30	115	35
	AEH1713*6ETA	167,007	48,945	207,181	60,718	3	26,550	45,109	30	762	120	37	140	43
AEH2303*6ETB	197,408	57,854	235,656	69,064	4	35,400	60,145	30	762	120	37	140	43	
4.5 Fins Per Inch	AEH0403*4ETA	42,113	12,342	46,600	13,657	2	9,400	15,971	24	610	70	21	85	26
	AEH0503*4ETA	51,004	14,948	58,137	17,038	2	9,400	15,971	24	610	70	21	85	26
	AEH0543*4ETA	57,926	16,976	63,558	18,627	3	13,200	22,427	24	610	70	21	85	26
	AEH0693*4ETA	73,394	21,510	80,125	23,482	3	13,200	22,427	24	610	70	21	85	26
	AEH0733*4ETA	75,576	22,149	85,580	25,081	4	17,600	29,903	24	610	70	21	85	26
	AEH0893*4ETA	91,843	26,916	104,293	30,565	3	21,600	36,699	30	762	100	30	115	35
	AEH0933*4ETA	96,115	28,169	108,325	31,747	4	17,600	29,903	24	610	70	21	85	26
	AEH1143*4ETA	117,350	34,392	132,240	38,756	3	21,600	36,699	30	762	100	30	115	35
	AEH1303*4ETA	133,688	39,180	150,981	44,248	3	25,200	42,815	30	762	100	30	115	35
	AEH1593*4ETA	158,593	46,479	195,743	57,366	3	27,600	46,893	30	762	120	37	140	43
AEH2143*4ETB	183,846	53,880	216,186	63,358	4	36,800	62,524	30	762	120	37	140	43	

**Notes:**

\* = Electrical Code Designator (see Nomenclature for details)



# PERFORMANCE DATA

Selection Capacity: Medium Temp Electric Defrost - 60 Hz

Washdown Motors														
Model	Selection Capacity				No. of Fans	Fan Data				Air Throw				
	R-404A/R-507A		R-407A/R-407F			Air Volume		Diameter		Standard		With Collar		
	10°F TD 25°F SST	6°C TD -4°C SST	10°F TD 25°F SST	6°C TD -4°C SST										
	BTUH	Watts	BTUH	Watts		CFM	m³H	in	mm	ft	m	ft	m	
6 Fins Per Inch	AEH0363*6EWA	29,382	8,611	40,375	11,833	2	6,100	10,364	24	610	-	-	-	-
	AEH0443*6EWA	34,986	10,253	49,743	14,578	2	6,100	10,364	24	610	-	-	-	-
	AEH0493*6EWA	40,172	11,773	54,810	16,063	3	8,500	14,442	24	610	-	-	-	-
	AEH0613*6EWA	48,511	14,217	67,802	19,871	3	8,500	14,442	24	610	-	-	-	-
	AEH0673*6EWA	53,798	15,767	74,268	21,766	4	11,400	19,369	24	610	-	-	-	-
	AEH0823*6EWA	65,744	19,268	90,743	26,594	3	14,000	23,786	30	762	-	-	-	-
	AEH0833*6EWA	65,193	19,106	92,114	26,996	4	11,400	19,369	24	610	-	-	-	-
	AEH1023*6EWA	79,831	23,396	112,773	33,050	3	14,000	23,786	30	762	-	-	-	-
	AEH1173*6EWA	91,927	26,941	129,334	37,904	3	16,500	28,034	30	762	-	-	-	-
	AEH1433*6EWA	117,241	34,360	170,944	50,099	3	18,000	30,582	30	762	-	-	-	-
	AEH1933*6EWB	133,974	39,264	180,887	53,013	4	24,000	40,776	30	762	-	-	-	-
4.5 Fins Per Inch	AEH0323*4EWA	26,542	7,779	36,229	10,618	2	6,400	10,874	24	610	-	-	-	-
	AEH0413*4EWA	32,387	9,492	45,521	13,341	2	6,400	10,874	24	610	-	-	-	-
	AEH0443*4EWA	36,236	10,620	49,145	14,403	3	9,000	15,291	24	610	-	-	-	-
	AEH0553*4EWA	44,451	13,027	61,494	18,022	3	9,000	15,291	24	610	-	-	-	-
	AEH0603*4EWA	48,880	14,325	67,019	19,641	4	11,900	20,218	24	610	-	-	-	-
	AEH0743*4EWA	59,611	17,470	81,790	23,970	3	14,600	24,806	30	762	-	-	-	-
	AEH0753*4EWA	60,050	17,599	84,030	24,627	4	11,900	20,218	24	610	-	-	-	-
	AEH0923*4EWA	73,368	21,502	102,610	30,072	3	14,600	24,806	30	762	-	-	-	-
	AEH1063*4EWA	84,151	24,662	117,318	34,382	3	17,100	29,053	30	762	-	-	-	-
	AEH1333*4EWA	112,175	32,875	161,130	47,222	3	18,700	31,771	30	762	-	-	-	-
AEH1783*4EWB	124,692	36,544	166,784	48,879	4	25,000	42,475	30	762	-	-	-	-	

**Notes:**

\* = Electrical Code Designator (see Nomenclature for details)

# PERFORMANCE DATA

Selection Capacity: Medium Temp Electric Defrost - 60 Hz

Washdown Motors														
Model	Selection Capacity				No. of Fans	Fan Data				Air Throw				
	R-407C		R-448A/R-449A			Air Volume		Diameter		Standard		With Collar		
	10°F TD 25°F SST	6°C TD -4°C SST	10°F TD 25°F SST	6°C TD -4°C SST										
	BTUH	Watts	BTUH	Watts		CFM	m³H	in	mm	ft	m	ft	m	
6 Fins Per Inch	AEH0363*6EWA	38,771	11,363	42,658	12,502	2	6,100	10,364	24	610	-	-	-	-
	AEH0443*6EWA	46,287	13,565	52,142	15,281	2	6,100	10,364	24	610	-	-	-	-
	AEH0493*6EWA	53,250	15,606	57,986	16,994	3	8,500	14,442	24	610	-	-	-	-
	AEH0613*6EWA	65,960	19,331	71,564	20,973	3	8,500	14,442	24	610	-	-	-	-
	AEH0673*6EWA	69,898	20,485	78,331	22,957	4	11,400	19,369	24	610	-	-	-	-
	AEH0823*6EWA	85,203	24,970	96,069	28,155	3	14,000	23,786	30	762	-	-	-	-
	AEH0833*6EWA	86,971	25,489	97,133	28,467	4	11,400	19,369	24	610	-	-	-	-
	AEH1023*6EWA	106,481	31,206	118,884	34,841	3	14,000	23,786	30	762	-	-	-	-
	AEH1173*6EWA	121,915	35,730	136,423	39,981	3	16,500	28,034	30	762	-	-	-	-
	AEH1433*6EWA	150,825	44,202	181,535	53,203	3	18,000	30,582	30	762	-	-	-	-
AEH1933*6EWB	170,206	49,882	197,589	57,907	4	24,000	40,776	30	762	-	-	-	-	
4.5 Fins Per Inch	AEH0323*4EWA	34,843	10,211	38,079	11,160	2	6,400	10,874	24	610	-	-	-	-
	AEH0413*4EWA	42,599	12,484	47,561	13,939	2	6,400	10,874	24	610	-	-	-	-
	AEH0443*4EWA	47,739	13,991	51,707	15,154	3	9,000	15,291	24	610	-	-	-	-
	AEH0553*4EWA	59,818	17,531	64,657	18,949	3	9,000	15,291	24	610	-	-	-	-
	AEH0603*4EWA	63,315	18,556	70,382	20,627	4	11,900	20,218	24	610	-	-	-	-
	AEH0743*4EWA	77,076	22,589	85,892	25,172	3	14,600	24,806	30	762	-	-	-	-
	AEH0753*4EWA	79,617	23,333	88,123	25,826	4	11,900	20,218	24	610	-	-	-	-
	AEH0923*4EWA	97,185	28,482	107,631	31,543	3	14,600	24,806	30	762	-	-	-	-
	AEH1063*4EWA	111,015	32,535	123,135	36,087	3	17,100	29,053	30	762	-	-	-	-
	AEH1333*4EWA	143,245	41,981	171,597	50,290	3	18,700	31,771	30	762	-	-	-	-
AEH1783*4EWB	157,719	46,223	180,289	52,837	4	25,000	42,475	30	762	-	-	-	-	

**Notes:**

\* = Electrical Code Designator (see Nomenclature for details)

# SPECIFICATIONS

Electric Defrost - 60 Hz

	Model	No. of Motors	Totally Enclosed and Variable Speed Motors						Defrost Heaters	
			208-230/3/60						Heater Amps	
			Motor HP	Motor Amps	Motor Watts	Fan Circuit MCA	Fan Circuit MOPD	Heater Watts	208-230/3/60	
6 Fins Per Inch	AEH0453CS6ETA	2	1	6.0	1,550	7	20	10,800	27	
	AEH0553CS6ETA	2	1	6.0	1,550	7	20	10,800	27	
	AEH0613CS6ETA	3	1	9.0	2,330	10	20	13,950	35	
	AEH0763CS6ETA	3	1	9.0	2,330	10	20	13,950	35	
	AEH0823CS6ETA	4	1	12.0	3,110	13	20	18,750	47	
	AEH1023CS6ETA	4	1	12.0	3,110	13	20	18,750	47	
	AEH1003CS6ETA	3	2-1/4	21.0	7,190	23	40	25,000	69	
	AEH1253CS6ETA	3	2-1/4	21.0	7,190	23	40	25,000	69	
	AEH1443CS6ETA	3	2-1/4	21.0	7,190	23	40	25,000	69	
	AEH1713CS6ETA	3	2-1/4	21.0	7,190	23	40	36,300	95	
	AEH2303CS6ETB	4	2-1/4	28.0	9,590	30	45	52,700	140	
4.5 Fins Per Inch	AEH0403CS4ETA	2	1	6.0	1,550	7	20	10,800	27	
	AEH0503CS4ETA	2	1	6.0	1,550	7	20	10,800	27	
	AEH0543CS4ETA	3	1	9.0	2,330	10	20	13,950	35	
	AEH0693CS4ETA	3	1	9.0	2,330	10	20	13,950	35	
	AEH0733CS4ETA	4	1	12.0	3,110	13	20	18,750	47	
	AEH0933CS4ETA	4	1	12.0	3,110	13	20	18,750	47	
	AEH0893CS4ETA	3	2-1/4	21.0	7,190	23	40	25,000	69	
	AEH1143CS4ETA	3	2-1/4	21.0	7,190	23	40	25,000	69	
	AEH1303CS4ETA	3	2-1/4	21.0	7,190	23	40	25,000	69	
	AEH1593CS4ETA	3	2-1/4	21.0	7,190	23	40	36,300	95	
	AEH2143CS4ETB	4	2-1/4	28.0	9,590	30	45	52,700	140	

# SPECIFICATIONS

Electric Defrost - 60 Hz

	Model	No. of Motors	Totally Enclosed and Variable Speed Motors						Defrost Heaters	
			460/3/60						Heater Amps	
			Motor HP	Motor Amps	Motor Watts	Fan Circuit MCA	Fan Circuit MOPD	Heater Watts	460/3/60	
6 Fins Per Inch	AEH0453DS6ETA	2	1	3.0	1,550	3	15	10,800	14	
	AEH0553DS6ETA	2	1	3.0	1,550	3	15	10,800	14	
	AEH0613DS6ETA	3	1	4.5	2,330	5	15	13,950	18	
	AEH0763DS6ETA	3	1	4.5	2,330	5	15	13,950	18	
	AEH0823DS6ETA	4	1	6.0	3,110	6	15	18,750	24	
	AEH1023DS6ETA	4	1	6.0	3,110	6	15	18,750	24	
	AEH1003DS6ETA	3	2-1/4	10.5	7,190	11	20	25,000	34	
	AEH1253DS6ETA	3	2-1/4	10.5	7,190	11	20	25,000	34	
	AEH1443DS6ETA	3	2-1/4	10.5	7,190	11	20	25,000	34	
	AEH1713DS6ETA	3	2-1/4	10.5	7,190	11	20	36,300	48	
AEH2303DS6ETB	4	2-1/4	14.0	9,590	15	25	52,700	70		
4.5 Fins Per Inch	AEH0403DS4ETA	2	1	3.0	1,550	3	15	10,800	14	
	AEH0503DS4ETA	2	1	3.0	1,550	3	15	10,800	14	
	AEH0543DS4ETA	3	1	4.5	2,330	5	15	13,950	18	
	AEH0693DS4ETA	3	1	4.5	2,330	5	15	13,950	18	
	AEH0733DS4ETA	4	1	6.0	3,110	6	15	18,750	24	
	AEH0933DS4ETA	4	1	6.0	3,110	6	15	18,750	24	
	AEH0893DS4ETA	3	2-1/4	10.5	7,190	11	20	25,000	34	
	AEH1143DS4ETA	3	2-1/4	10.5	7,190	11	20	25,000	34	
	AEH1303DS4ETA	3	2-1/4	10.5	7,190	11	20	25,000	34	
	AEH1593DS4ETA	3	2-1/4	10.5	7,190	11	20	36,300	48	
AEH2143DS4ETB	4	2-1/4	14.0	9,590	15	25	52,700	70		

# SPECIFICATIONS

Electric Defrost - 60 Hz

	Model	No. of Motors	Totally Enclosed and Variable Speed Motors						Defrost Heaters	
			575/3/60						Heater Amps	
			Motor HP	Motor Amps	Motor Watts	Fan Circuit MCA	Fan Circuit MOPD	Heater Watts	575/3/60	
6 Fins Per Inch	AEH0453ES6ETA	2	3/4	1.8	1,040	2	15	10,800	11	
	AEH0553ES6ETA	2	3/4	1.8	1,040	2	15	10,800	11	
	AEH0613ES6ETA	3	3/4	2.7	1,560	3	15	13,950	14	
	AEH0763ES6ETA	3	3/4	2.7	1,560	3	15	13,950	14	
	AEH0823ES6ETA	4	3/4	3.6	2,080	4	15	18,750	19	
	AEH1023ES6ETA	4	3/4	3.6	2,080	4	15	18,750	19	
	AEH1003ES6ETA	3	2-1/4	7.2	6,170	8	15	25,000	27	
	AEH1253ES6ETA	3	2-1/4	7.2	6,170	8	15	25,000	27	
	AEH1443ES6ETA	3	2-1/4	7.2	6,170	8	15	25,000	27	
	AEH1713ES6ETA	3	2-1/4	7.2	6,170	8	15	36,300	39	
AEH2303ES6ETB	4	2-1/4	9.6	8,220	10	15	52,700	56		
4.5 Fins Per Inch	AEH0403ES4ETA	2	3/4	1.8	1,040	2	15	10,800	11	
	AEH0503ES4ETA	2	3/4	1.8	1,040	2	15	10,800	11	
	AEH0543ES4ETA	3	3/4	2.7	1,560	3	15	13,950	14	
	AEH0693ES4ETA	3	3/4	2.7	1,560	3	15	13,950	14	
	AEH0733ES4ETA	4	3/4	3.6	2,080	4	15	18,750	19	
	AEH0933ES4ETA	4	3/4	3.6	2,080	4	15	18,750	19	
	AEH0893ES4ETA	3	2-1/4	7.2	6,170	8	15	25,000	27	
	AEH1143ES4ETA	3	2-1/4	7.2	6,170	8	15	25,000	27	
	AEH1303ES4ETA	3	2-1/4	7.2	6,170	8	15	25,000	27	
	AEH1593ES4ETA	3	2-1/4	7.2	6,170	8	15	36,300	39	
AEH2143ES4ETB	4	2-1/4	9.6	8,220	10	15	52,700	56		

# SPECIFICATIONS

Electric Defrost - 60 Hz

	Model	No. of Motors	Washdown Motors						Defrost Heaters	
			208-230/3/60						Heater Amps	
			Motor HP	Motor Amps	Motor Watts	Fan Circuit MCA	Fan Circuit MOPD	Heater Watts	208-230/3/60	
6 Fins Per Inch	AEH0363CS6EWA	2	1-3/4	13.0	3,160	15	30	10,800	27	
	AEH0443CS6EWA	2	1-3/4	13.0	3,160	15	30	10,800	27	
	AEH0493CS6EWA	3	1-3/4	19.5	4,740	21	35	13,950	35	
	AEH0613CS6EWA	3	1-3/4	19.5	4,740	21	35	13,950	35	
	AEH0673CS6EWA	4	1-3/4	26.0	6,320	28	45	18,750	47	
	AEH0833CS6EWA	4	1-3/4	26.0	6,320	28	45	18,750	47	
	AEH0823CS6EWA	3	1-3/4	19.5	4,740	21	35	25,000	69	
	AEH1023CS6EWA	3	1-3/4	19.5	4,740	21	35	25,000	69	
	AEH1173CS6EWA	3	1-3/4	19.5	4,740	21	35	25,000	69	
	AEH1433CS6EWA	3	1-3/4	19.5	4,740	21	35	36,300	95	
	AEH1933CS6EWB	4	1-3/4	26.0	6,320	28	45	52,700	140	
4.5 Fins Per Inch	AEH0323CS4EWA	2	1-3/4	13.0	3,160	15	30	10,800	27	
	AEH0413CS4EWA	2	1-3/4	13.0	3,160	15	30	10,800	27	
	AEH0443CS4EWA	3	1-3/4	19.5	4,740	21	35	13,950	35	
	AEH0553CS4EWA	3	1-3/4	19.5	4,740	21	35	13,950	35	
	AEH0603CS4EWA	4	1-3/4	26.0	6,320	28	45	18,750	47	
	AEH0753CS4EWA	4	1-3/4	26.0	6,320	28	45	18,750	47	
	AEH0743CS4EWA	3	1-3/4	19.5	4,740	21	35	25,000	69	
	AEH0923CS4EWA	3	1-3/4	19.5	4,740	21	35	25,000	69	
	AEH1063CS4EWA	3	1-3/4	19.5	4,740	21	35	25,000	69	
	AEH1333CS4EWA	3	1-3/4	19.5	4,740	21	35	36,300	95	
	AEH1783CS4EWB	4	1-3/4	26.0	6,320	28	45	52,700	140	

# SPECIFICATIONS

Electric Defrost - 60 Hz

	Model	No. of Motors	Washdown Motors						Defrost Heaters	
			460/3/60						Heater Amps	
			Motor HP	Motor Amps	Motor Watts	Fan Circuit MCA	Fan Circuit MOPD	Heater Watts	460/3/60	
6 Fins Per Inch	AEH0363DS6EWA	2	1-3/4	6.6	3,210	7	15	10,800	14	
	AEH0443DS6EWA	2	1-3/4	6.6	3,210	7	15	10,800	14	
	AEH0493DS6EWA	3	1-3/4	9.9	4,810	11	20	13,950	18	
	AEH0613DS6EWA	3	1-3/4	9.9	4,810	11	20	13,950	18	
	AEH0673DS6EWA	4	1-3/4	13.2	6,420	14	20	18,750	24	
	AEH0833DS6EWA	4	1-3/4	13.2	6,420	14	20	18,750	24	
	AEH0823DS6EWA	3	1-3/4	9.9	4,810	11	20	25,000	34	
	AEH1023DS6EWA	3	1-3/4	9.9	4,810	11	20	25,000	34	
	AEH1173DS6EWA	3	1-3/4	9.9	4,810	11	20	25,000	34	
	AEH1433DS6EWA	3	1-3/4	9.9	4,810	11	20	36,300	48	
AEH1933DS6EWA	4	1-3/4	13.2	6,420	14	20	52,700	70		
4.5 Fins Per Inch	AEH0323DS4EWA	2	1-3/4	6.6	3,210	7	15	10,800	14	
	AEH0413DS4EWA	2	1-3/4	6.6	3,210	7	15	10,800	14	
	AEH0443DS4EWA	3	1-3/4	9.9	4,810	11	20	13,950	18	
	AEH0553DS4EWA	3	1-3/4	9.9	4,810	11	20	13,950	18	
	AEH0603DS4EWA	4	1-3/4	13.2	6,420	14	20	18,750	24	
	AEH0753DS4EWA	4	1-3/4	13.2	6,420	14	20	18,750	24	
	AEH0743DS4EWA	3	1-3/4	9.9	4,810	11	20	25,000	34	
	AEH0923DS4EWA	3	1-3/4	9.9	4,810	11	20	25,000	34	
	AEH1063DS4EWA	3	1-3/4	9.9	4,810	11	20	25,000	34	
	AEH1333DS4EWA	3	1-3/4	9.9	4,810	11	20	36,300	48	
AEH1783DS4EWA	4	1-3/4	13.2	6,420	14	20	52,700	70		

# SPECIFICATIONS

Electric Defrost - 60 Hz

	Model	No. of Motors	Washdown Motors						Defrost Heaters	
			575/3/60						Heater Amps	
			Motor HP	Motor Amps	Motor Watts	Fan Circuit MCA	Fan Circuit MOPD	Heater Watts	575/3/60	
6 Fins Per Inch	AEH0363ES6EWA	2	1-3/4	4.8	2,920	5	15	10,800	11	
	AEH0443ES6EWA	2	1-3/4	4.8	2,920	5	15	10,800	11	
	AEH0493ES6EWA	3	1-3/4	7.2	4,370	8	15	13,950	14	
	AEH0613ES6EWA	3	1-3/4	7.2	4,370	8	15	13,950	14	
	AEH0673ES6EWA	4	1-3/4	9.6	5,830	10	15	18,750	19	
	AEH0833ES6EWA	4	1-3/4	9.6	5,830	10	15	18,750	19	
	AEH0823ES6EWA	3	1-3/4	7.2	4,370	8	15	25,000	27	
	AEH1023ES6EWA	3	1-3/4	7.2	4,370	8	15	25,000	27	
	AEH1173ES6EWA	3	1-3/4	7.2	4,370	8	15	25,000	27	
	AEH1433ES6EWA	3	1-3/4	7.2	4,370	8	15	36,300	39	
AEH1933ES6EWB	4	1-3/4	9.6	5,830	10	15	52,700	56		
4.5 Fins Per Inch	AEH0323ES4EWA	2	1-3/4	4.8	2,920	5	15	10,800	11	
	AEH0413ES4EWA	2	1-3/4	4.8	2,920	5	15	10,800	11	
	AEH0443ES4EWA	3	1-3/4	7.2	4,370	8	15	13,950	14	
	AEH0553ES4EWA	3	1-3/4	7.2	4,370	8	15	13,950	14	
	AEH0603ES4EWA	4	1-3/4	9.6	5,830	10	15	18,750	19	
	AEH0753ES4EWA	4	1-3/4	9.6	5,830	10	15	18,750	19	
	AEH0743ES4EWA	3	1-3/4	7.2	4,370	8	15	25,000	27	
	AEH0923ES4EWA	3	1-3/4	7.2	4,370	8	15	25,000	27	
	AEH1063ES4EWA	3	1-3/4	7.2	4,370	8	15	25,000	27	
	AEH1333ES4EWA	3	1-3/4	7.2	4,370	8	15	36,300	39	
AEH1783ES4EWB	4	1-3/4	9.6	5,830	10	15	52,700	56		



# PERFORMANCE DATA

Selection Capacity: Low Temp Hot Gas Defrost - 60 Hz

Totally Enclosed and Variable Speed Motors														
Model	Selection Capacity				Fan Data						Air Throw			
	R-404A/R-507A		R-407A/R-407F		No. of Fans	Air Volume		Diameter		Standard		With Collar		
	10°F TD -20°F SST	6°C TD -29°C SST	10°F TD -20°F SST	6°C TD -29°C SST		CFM	m <sup>3</sup> H	in	mm	ft	m	ft	m	
	BTUH	Watts	BTUH	Watts										
6 Fins Per Inch	AEH0453*S6HTA	31,450	9,217	42,180	12,362	2	9,000	15,291	24	610	70	21	85	26
	AEH0553*S6HTA	37,374	10,953	51,746	15,165	2	9,000	15,291	24	610	70	21	85	26
	AEH0613*S6HTA	43,122	12,638	57,377	16,816	3	12,600	21,408	24	610	70	21	85	26
	AEH0763*S6HTA	52,960	15,521	71,940	21,084	3	12,600	21,408	24	610	70	21	85	26
	AEH0823*S6HTA	56,899	16,675	76,780	22,502	4	16,800	28,543	24	610	70	21	85	26
	AEH1003*S6HTA	69,329	20,318	93,598	27,431	3	20,700	35,170	30	762	100	30	115	35
	AEH1023*S6HTA	70,096	20,543	96,562	28,300	4	16,800	28,543	24	610	70	21	85	26
	AEH1253*S6HTA	85,886	25,171	118,098	34,611	3	20,700	35,170	30	762	100	30	115	35
	AEH1443*S6HTA	98,524	28,875	135,019	39,570	3	24,300	41,286	30	762	100	30	115	35
	AEH1713*S6HTA	117,220	34,354	165,922	48,627	3	26,550	45,109	30	762	120	37	140	43
	AEH2303*S6HTB	139,578	40,906	183,358	53,737	4	35,400	60,145	30	762	120	37	140	43
4.5 Fins Per Inch	AEH0403*S4HTA	28,374	8,316	37,917	11,112	2	9,400	15,971	24	610	70	21	85	26
	AEH0503*S4HTA	34,536	10,122	47,466	13,911	2	9,400	15,971	24	610	70	21	85	26
	AEH0543*S4HTA	38,812	11,375	51,491	15,091	3	13,200	22,427	24	610	70	21	85	26
	AEH0693*S4HTA	48,279	14,149	65,179	19,102	3	13,200	22,427	24	610	70	21	85	26
	AEH0733*S4HTA	51,706	15,154	69,520	20,374	4	17,600	29,903	24	610	70	21	85	26
	AEH0893*S4HTA	63,024	18,471	84,704	24,824	3	21,600	36,699	30	762	100	30	115	35
	AEH0933*S4HTA	64,531	18,912	88,174	25,841	4	17,600	29,903	24	610	70	21	85	26
	AEH1143*S4HTA	78,791	23,091	107,630	31,543	3	21,600	36,699	30	762	100	30	115	35
	AEH1303*S4HTA	90,117	26,411	122,764	35,979	3	25,200	42,815	30	762	100	30	115	35
	AEH1593*S4HTA	111,138	32,571	155,549	45,587	3	27,600	46,893	30	762	120	37	140	43
	AEH2143*S4HTB	129,856	38,057	169,451	49,661	4	36,800	62,524	30	762	120	37	140	43

**Notes:**

\* = Electrical Code Designator (see Nomenclature for details)

# PERFORMANCE DATA

Selection Capacity: Low Temp Hot Gas Defrost - 60 Hz

Totally Enclosed and Variable Speed Motors														
Model	Selection Capacity				No. of Fans	Fan Data				Air Throw				
	R-407C		R-448A/R-449A			Air Volume		Diameter		Standard		With Collar		
	10°F TD -20°F SST	6°C TD -29°C SST	10°F TD -20°F SST	6°C TD -29°C SST										
	BTUH	Watts	BTUH	Watts		CFM	m <sup>3</sup> H	in	mm	ft	m	ft	m	
6 Fins Per Inch	AEH0453*S6HTA	40,269	11,802	45,001	13,188	2	9,000	15,291	24	610	70	21	85	26
	AEH0553*S6HTA	47,643	13,963	55,273	16,199	2	9,000	15,291	24	610	70	21	85	26
	AEH0613*S6HTA	55,571	16,286	61,408	17,997	3	12,600	21,408	24	610	70	21	85	26
	AEH0763*S6HTA	69,788	20,453	76,650	22,464	3	12,600	21,408	24	610	70	21	85	26
	AEH0823*S6HTA	71,622	20,990	82,167	24,081	4	16,800	28,543	24	610	70	21	85	26
	AEH1003*S6HTA	87,033	25,507	100,234	29,376	3	20,700	35,170	30	762	100	30	115	35
	AEH1023*S6HTA	90,357	26,481	102,889	30,154	4	16,800	28,543	24	610	70	21	85	26
	AEH1253*S6HTA	110,506	32,386	125,830	36,877	3	20,700	35,170	30	762	100	30	115	35
	AEH1443*S6HTA	126,070	36,947	144,008	42,205	3	24,300	41,286	30	762	100	30	115	35
	AEH1713*S6HTA	143,971	42,194	178,604	52,344	3	26,550	45,109	30	762	120	37	140	43
AEH2303*S6HTB	170,179	49,875	203,151	59,538	4	35,400	60,145	30	762	120	37	140	43	
4.5 Fins Per Inch	AEH0403*S4HTA	36,304	10,640	40,172	11,773	2	9,400	15,971	24	610	70	21	85	26
	AEH0503*S4HTA	43,969	12,886	50,118	14,688	2	9,400	15,971	24	610	70	21	85	26
	AEH0543*S4HTA	49,936	14,635	54,791	16,058	3	13,200	22,427	24	610	70	21	85	26
	AEH0693*S4HTA	63,271	18,543	69,073	20,243	3	13,200	22,427	24	610	70	21	85	26
	AEH0733*S4HTA	65,152	19,094	73,776	21,622	4	17,600	29,903	24	610	70	21	85	26
	AEH0893*S4HTA	79,175	23,204	89,908	26,349	3	21,600	36,699	30	762	100	30	115	35
	AEH0933*S4HTA	82,858	24,283	93,384	27,368	4	17,600	29,903	24	610	70	21	85	26
	AEH1143*S4HTA	101,164	29,648	114,000	33,410	3	21,600	36,699	30	762	100	30	115	35
	AEH1303*S4HTA	115,248	33,776	130,156	38,145	3	25,200	42,815	30	762	100	30	115	35
	AEH1593*S4HTA	136,718	40,068	168,744	49,454	3	27,600	46,893	30	762	120	37	140	43
AEH2143*S4HTB	158,488	46,448	186,367	54,619	4	36,800	62,524	30	762	120	37	140	43	

**Notes:**

\* = Electrical Code Designator (see Nomenclature for details)

# PERFORMANCE DATA

Selection Capacity: Low Temp Hot Gas Defrost - 60 Hz

Washdown Motors														
Model	Selection Capacity				Fan Data						Air Throw			
	R-404A/R-507A		R-407A/R-407F											
	10°F TD -20°F SST	6°C TD -29°C SST	10°F TD -20°F SST	6°C TD -29°C SST	No. of Fans	Air Volume		Diameter		Standard		With Collar		
	BTUH	Watts	BTUH	Watts		CFM	m <sup>3</sup> H	in	mm	ft	m	ft	m	
6 Fins Per Inch	AEH0363*S6HWA	25,329	7,423	34,806	10,201	2	6,100	10,364	24	610	-	-	-	-
	AEH0443*S6HWA	30,160	8,839	42,882	12,567	2	6,100	10,364	24	610	-	-	-	-
	AEH0493*S6HWA	34,631	10,149	47,250	13,848	3	8,500	14,442	24	610	-	-	-	-
	AEH0613*S6HWA	41,820	12,256	58,450	17,130	3	8,500	14,442	24	610	-	-	-	-
	AEH0673*S6HWA	46,378	13,592	64,024	18,764	4	11,400	19,369	24	610	-	-	-	-
	AEH0823*S6HWA	56,676	16,610	78,227	22,926	3	14,000	23,786	30	762	-	-	-	-
	AEH0833*S6HWA	56,201	16,471	79,409	23,272	4	11,400	19,369	24	610	-	-	-	-
	AEH1023*S6HWA	68,820	20,169	97,218	28,492	3	14,000	23,786	30	762	-	-	-	-
	AEH1173*S6HWA	79,247	23,225	111,495	32,676	3	16,500	28,034	30	762	-	-	-	-
	AEH1433*S6HWA	101,070	29,621	147,365	43,189	3	18,000	30,582	30	762	-	-	-	-
	AEH1933*S6HWA	115,495	33,848	155,937	45,701	4	24,000	40,776	30	762	-	-	-	-
4.5 Fins Per Inch	AEH0323*S4HWA	22,881	6,706	31,232	9,153	2	6,400	10,874	24	610	-	-	-	-
	AEH0413*S4HWA	27,920	8,183	39,242	11,501	2	6,400	10,874	24	610	-	-	-	-
	AEH0443*S4HWA	31,238	9,155	42,366	12,416	3	9,000	15,291	24	610	-	-	-	-
	AEH0553*S4HWA	38,320	11,230	53,012	15,536	3	9,000	15,291	24	610	-	-	-	-
	AEH0603*S4HWA	42,138	12,349	57,775	16,932	4	11,900	20,218	24	610	-	-	-	-
	AEH0743*S4HWA	51,389	15,061	70,509	20,664	3	14,600	24,806	30	762	-	-	-	-
	AEH0753*S4HWA	51,767	15,171	72,440	21,230	4	11,900	20,218	24	610	-	-	-	-
	AEH0923*S4HWA	63,248	18,536	88,457	25,924	3	14,600	24,806	30	762	-	-	-	-
	AEH1063*S4HWA	72,544	21,261	101,136	29,640	3	17,100	29,053	30	762	-	-	-	-
	AEH1333*S4HWA	96,703	28,341	138,905	40,709	3	18,700	31,771	30	762	-	-	-	-
AEH1783*S4HWA	107,493	31,503	143,779	42,138	4	25,000	42,475	30	762	-	-	-	-	

**Notes:**

\* = Electrical Code Designator (see Nomenclature for details)

# PERFORMANCE DATA

Selection Capacity: Low Temp Hot Gas Defrost - 60 Hz

Washdown Motors														
Model	Selection Capacity				Fan Data					Air Throw				
	R-407C		R-448A/R-449A											
	10°F TD -20°F SST	6°C TD -29°C SST	10°F TD -20°F SST	6°C TD -29°C SST	No. of Fans	Air Volume		Diameter		Standard		With Collar		
	BTUH	Watts	BTUH	Watts		CFM	m <sup>3</sup> H	in	mm	ft	m	ft	m	
6 Fins Per Inch	AEH0363*S6HWA	33,423	9,795	36,774	10,777	2	6,100	10,364	24	610	-	-	-	-
	AEH0443*S6HWA	39,903	11,694	44,950	13,174	2	6,100	10,364	24	610	-	-	-	-
	AEH0493*S6HWA	45,905	13,453	49,988	14,650	3	8,500	14,442	24	610	-	-	-	-
	AEH0613*S6HWA	56,862	16,665	61,693	18,080	3	8,500	14,442	24	610	-	-	-	-
	AEH0673*S6HWA	60,257	17,660	67,527	19,790	4	11,400	19,369	24	610	-	-	-	-
	AEH0823*S6HWA	73,451	21,526	82,818	24,272	3	14,000	23,786	30	762	-	-	-	-
	AEH0833*S6HWA	74,975	21,973	83,735	24,540	4	11,400	19,369	24	610	-	-	-	-
	AEH1023*S6HWA	91,794	26,902	102,486	30,036	3	14,000	23,786	30	762	-	-	-	-
	AEH1173*S6HWA	105,099	30,801	117,606	34,467	3	16,500	28,034	30	762	-	-	-	-
	AEH1433*S6HWA	130,022	38,106	156,496	45,864	3	18,000	30,582	30	762	-	-	-	-
AEH1933*S6HWA	146,730	43,002	170,335	49,920	4	24,000	40,776	30	762	-	-	-	-	
4.5 Fins Per Inch	AEH0323*S4HWA	30,037	8,803	32,827	9,621	2	6,400	10,874	24	610	-	-	-	-
	AEH0413*S4HWA	36,723	10,762	41,001	12,016	2	6,400	10,874	24	610	-	-	-	-
	AEH0443*S4HWA	41,154	12,061	44,575	13,064	3	9,000	15,291	24	610	-	-	-	-
	AEH0553*S4HWA	51,567	15,113	55,739	16,335	3	9,000	15,291	24	610	-	-	-	-
	AEH0603*S4HWA	54,582	15,996	60,674	17,782	4	11,900	20,218	24	610	-	-	-	-
	AEH0743*S4HWA	66,445	19,473	74,045	21,700	3	14,600	24,806	30	762	-	-	-	-
	AEH0753*S4HWA	68,635	20,115	75,968	22,264	4	11,900	20,218	24	610	-	-	-	-
	AEH0923*S4HWA	83,780	24,553	92,785	27,193	3	14,600	24,806	30	762	-	-	-	-
	AEH1063*S4HWA	95,703	28,048	106,151	31,110	3	17,100	29,053	30	762	-	-	-	-
	AEH1333*S4HWA	123,487	36,191	147,929	43,354	3	18,700	31,771	30	762	-	-	-	-
AEH1783*S4HWA	135,964	39,847	155,421	45,549	4	25,000	42,475	30	762	-	-	-	-	

**Notes:**

\* = Electrical Code Designator (see Nomenclature for details)

# PERFORMANCE DATA

Selection Capacity: Medium Temp Hot Gas Defrost - 60 Hz

Totally Enclosed and Variable Speed Motors														
Model	Selection Capacity				No. of Fans	Fan Data				Air Throw				
	R-404A/R-507A		R-407A/R-407F			Air Volume		Diameter		Standard		With Collar		
	10°F TD 25°F SST	6°C TD -4°C SST	10°F TD 25°F SST	6°C TD -4°C SST		CFM	m <sup>3</sup> H	in	mm	ft	m	ft	m	
	BTUH	Watts	BTUH	Watts										
6 Fins Per Inch	AEH0453*6HTA	36,482	10,692	48,929	14,340	2	9,000	15,291	24	610	70	21	85	26
	AEH0553*6HTA	43,354	12,706	60,025	17,592	2	9,000	15,291	24	610	70	21	85	26
	AEH0613*6HTA	50,022	14,660	66,557	19,506	3	12,600	21,408	24	610	70	21	85	26
	AEH0763*6HTA	61,434	18,004	83,450	24,457	3	12,600	21,408	24	610	70	21	85	26
	AEH0823*6HTA	66,003	19,343	89,065	26,102	4	16,800	28,543	24	610	70	21	85	26
	AEH1003*6HTA	80,422	23,569	108,574	31,820	3	20,700	35,170	30	762	100	30	115	35
	AEH1023*6HTA	81,311	23,830	112,012	32,827	4	16,800	28,543	24	610	70	21	85	26
	AEH1253*6HTA	99,628	29,198	136,994	40,149	3	20,700	35,170	30	762	100	30	115	35
	AEH1443*6HTA	114,288	33,494	156,622	45,901	3	24,300	41,286	30	762	100	30	115	35
	AEH1713*6HTA	135,975	39,850	192,470	56,407	3	26,550	45,109	30	762	120	37	140	43
	AEH2303*6HTB	161,910	47,451	212,695	62,335	4	35,400	60,145	30	762	120	37	140	43
4.5 Fins Per Inch	AEH0403*4HTA	32,914	9,646	43,984	12,890	2	9,400	15,971	24	610	70	21	85	26
	AEH0503*4HTA	40,062	11,741	55,061	16,137	2	9,400	15,971	24	610	70	21	85	26
	AEH0543*4HTA	45,022	13,195	59,730	17,505	3	13,200	22,427	24	610	70	21	85	26
	AEH0693*4HTA	56,004	16,413	75,608	22,158	3	13,200	22,427	24	610	70	21	85	26
	AEH0733*4HTA	59,979	17,578	80,643	23,634	4	17,600	29,903	24	610	70	21	85	26
	AEH0893*4HTA	73,108	21,426	98,257	28,796	3	21,600	36,699	30	762	100	30	115	35
	AEH0933*4HTA	74,856	21,938	102,282	29,976	4	17,600	29,903	24	610	70	21	85	26
	AEH1143*4HTA	91,398	26,786	124,851	36,590	3	21,600	36,699	30	762	100	30	115	35
	AEH1303*4HTA	104,536	30,636	142,406	41,735	3	25,200	42,815	30	762	100	30	115	35
	AEH1593*4HTA	128,920	37,783	180,437	52,881	3	27,600	46,893	30	762	120	37	140	43
	AEH2143*4HTB	150,633	44,146	196,563	57,607	4	36,800	62,524	30	762	120	37	140	43

**Notes:**

\* = Electrical Code Designator (see Nomenclature for details)

# PERFORMANCE DATA

Selection Capacity: Medium Temp Hot Gas Defrost - 60 Hz

Totally Enclosed and Variable Speed Motors														
Model	Selection Capacity				Fan Data				Air Throw					
	R-407C		R-448A/R-449A											
	10°F TD 25°F SST	6°C TD -4°C SST	10°F TD 25°F SST	6°C TD -4°C SST	No. of Fans	Air Volume		Diameter		Standard		With Collar		
	BTUH	Watts	BTUH	Watts		CFM	m <sup>3</sup> H	in	mm	ft	m	ft	m	
6 Fins Per Inch	AEH0453*6HTA	46,712	13,690	52,201	15,299	2	9,000	15,291	24	610	70	21	85	26
	AEH0553*6HTA	55,266	16,197	64,117	18,791	2	9,000	15,291	24	610	70	21	85	26
	AEH0613*6HTA	64,462	18,892	71,233	20,876	3	12,600	21,408	24	610	70	21	85	26
	AEH0763*6HTA	80,954	23,725	88,914	26,058	3	12,600	21,408	24	610	70	21	85	26
	AEH0823*6HTA	83,082	24,349	95,314	27,934	4	16,800	28,543	24	610	70	21	85	26
	AEH1003*6HTA	100,958	29,588	116,271	34,076	3	20,700	35,170	30	762	100	30	115	35
	AEH1023*6HTA	104,814	30,718	119,351	34,978	4	16,800	28,543	24	610	70	21	85	26
	AEH1253*6HTA	128,187	37,568	145,963	42,777	3	20,700	35,170	30	762	100	30	115	35
	AEH1443*6HTA	146,241	42,859	167,049	48,957	3	24,300	41,286	30	762	100	30	115	35
	AEH1713*6HTA	167,007	48,945	207,181	60,718	3	26,550	45,109	30	762	120	37	140	43
AEH2303*6HTB	197,408	57,854	235,656	69,064	4	35,400	60,145	30	762	120	37	140	43	
4.5 Fins Per Inch	AEH0403*4HTA	42,113	12,342	46,600	13,657	2	9,400	15,971	24	610	70	21	85	26
	AEH0503*4HTA	51,004	14,948	58,137	17,038	2	9,400	15,971	24	610	70	21	85	26
	AEH0543*4HTA	57,926	16,976	63,558	18,627	3	13,200	22,427	24	610	70	21	85	26
	AEH0693*4HTA	73,394	21,510	80,125	23,482	3	13,200	22,427	24	610	70	21	85	26
	AEH0733*4HTA	75,576	22,149	85,580	25,081	4	17,600	29,903	24	610	70	21	85	26
	AEH0893*4HTA	91,843	26,916	104,293	30,565	3	21,600	36,699	30	762	100	30	115	35
	AEH0933*4HTA	96,115	28,169	108,325	31,747	4	17,600	29,903	24	610	70	21	85	26
	AEH1143*4HTA	117,350	34,392	132,240	38,756	3	21,600	36,699	30	762	100	30	115	35
	AEH1303*4HTA	133,688	39,180	150,981	44,248	3	25,200	42,815	30	762	100	30	115	35
	AEH1593*4HTA	158,593	46,479	195,743	57,366	3	27,600	46,893	30	762	120	37	140	43
AEH2143*4HTB	183,846	53,880	216,186	63,358	4	36,800	62,524	30	762	120	37	140	43	

**Notes:**

\* = Electrical Code Designator (see Nomenclature for details)

# PERFORMANCE DATA

Selection Capacity: Medium Temp Hot Gas Defrost - 60 Hz

Washdown Motors														
Model	Selection Capacity				Fan Data						Air Throw			
	R-404A/R-507A		R-407A/R-407F											
	10°F TD 25°F SST	6°C TD -4°C SST	10°F TD 25°F SST	6°C TD -4°C SST	No. of Fans	Air Volume		Diameter		Standard		With Collar		
	BTUH	Watts	BTUH	Watts		CFM	m <sup>3</sup> H	in	mm	ft	m	ft	m	
6 Fins Per Inch	AEH0363*6HWA	29,382	8,611	40,375	11,833	2	6,100	10,364	24	610	-	-	-	-
	AEH0443*6HWA	34,986	10,253	49,743	14,578	2	6,100	10,364	24	610	-	-	-	-
	AEH0493*6HWA	40,172	11,773	54,810	16,063	3	8,500	14,442	24	610	-	-	-	-
	AEH0613*6HWA	48,511	14,217	67,802	19,871	3	8,500	14,442	24	610	-	-	-	-
	AEH0673*6HWA	53,798	15,767	74,268	21,766	4	11,400	19,369	24	610	-	-	-	-
	AEH0823*6HWA	65,744	19,268	90,743	26,594	3	14,000	23,786	30	762	-	-	-	-
	AEH0833*6HWA	65,193	19,106	92,114	26,996	4	11,400	19,369	24	610	-	-	-	-
	AEH1023*6HWA	79,831	23,396	112,773	33,050	3	14,000	23,786	30	762	-	-	-	-
	AEH1173*6HWA	91,927	26,941	129,334	37,904	3	16,500	28,034	30	762	-	-	-	-
	AEH1433*6HWA	117,241	34,360	170,944	50,099	3	18,000	30,582	30	762	-	-	-	-
AEH1933*6HWA	133,974	39,264	180,887	53,013	4	24,000	40,776	30	762	-	-	-	-	
4.5 Fins Per Inch	AEH0323*4HWA	26,542	7,779	36,229	10,618	2	6,400	10,874	24	610	-	-	-	-
	AEH0413*4HWA	32,387	9,492	45,521	13,341	2	6,400	10,874	24	610	-	-	-	-
	AEH0443*4HWA	36,236	10,620	49,145	14,403	3	9,000	15,291	24	610	-	-	-	-
	AEH0553*4HWA	44,451	13,027	61,494	18,022	3	9,000	15,291	24	610	-	-	-	-
	AEH0603*4HWA	48,880	14,325	67,019	19,641	4	11,900	20,218	24	610	-	-	-	-
	AEH0743*4HWA	59,611	17,470	81,790	23,970	3	14,600	24,806	30	762	-	-	-	-
	AEH0753*4HWA	60,050	17,599	84,030	24,627	4	11,900	20,218	24	610	-	-	-	-
	AEH0923*4HWA	73,368	21,502	102,610	30,072	3	14,600	24,806	30	762	-	-	-	-
	AEH1063*4HWA	84,151	24,662	117,318	34,382	3	17,100	29,053	30	762	-	-	-	-
	AEH1333*4HWA	112,175	32,875	161,130	47,222	3	18,700	31,771	30	762	-	-	-	-
AEH1783*4HWA	124,692	36,544	166,784	48,879	4	25,000	42,475	30	762	-	-	-	-	

**Notes:**

\* = Electrical Code Designator (see Nomenclature for details)

# PERFORMANCE DATA

Selection Capacity: Medium Temp Hot Gas Defrost - 60 Hz

Washdown Motors														
Model	Selection Capacity				Fan Data					Air Throw				
	R-407C		R-448A/R-449A											
	10°F TD 25°F SST	6°C TD -4°C SST	10°F TD 25°F SST	6°C TD -4°C SST	No. of Fans	Air Volume		Diameter		Standard		With Collar		
	BTUH	Watts	BTUH	Watts		CFM	m <sup>3</sup> H	in	mm	ft	m	ft	m	
6 Fins Per Inch	AEH0363*6HWA	38,771	11,363	42,658	12,502	2	6,100	10,364	24	610	-	-	-	-
	AEH0443*6HWA	46,287	13,565	52,142	15,281	2	6,100	10,364	24	610	-	-	-	-
	AEH0493*6HWA	53,250	15,606	57,986	16,994	3	8,500	14,442	24	610	-	-	-	-
	AEH0613*6HWA	65,960	19,331	71,564	20,973	3	8,500	14,442	24	610	-	-	-	-
	AEH0673*6HWA	69,898	20,485	78,331	22,957	4	11,400	19,369	24	610	-	-	-	-
	AEH0823*6HWA	85,203	24,970	96,069	28,155	3	14,000	23,786	30	762	-	-	-	-
	AEH0833*6HWA	86,971	25,489	97,133	28,467	4	11,400	19,369	24	610	-	-	-	-
	AEH1023*6HWA	106,481	31,206	118,884	34,841	3	14,000	23,786	30	762	-	-	-	-
	AEH1173*6HWA	121,915	35,730	136,423	39,981	3	16,500	28,034	30	762	-	-	-	-
	AEH1433*6HWA	150,825	44,202	181,535	53,203	3	18,000	30,582	30	762	-	-	-	-
AEH1933*6HWA	170,206	49,882	197,589	57,907	4	24,000	40,776	30	762	-	-	-	-	
4.5 Fins Per Inch	AEH0323*4HWA	34,843	10,211	38,079	11,160	2	6,400	10,874	24	610	-	-	-	-
	AEH0413*4HWA	42,599	12,484	47,561	13,939	2	6,400	10,874	24	610	-	-	-	-
	AEH0443*4HWA	47,739	13,991	51,707	15,154	3	9,000	15,291	24	610	-	-	-	-
	AEH0553*4HWA	59,818	17,531	64,657	18,949	3	9,000	15,291	24	610	-	-	-	-
	AEH0603*4HWA	63,315	18,556	70,382	20,627	4	11,900	20,218	24	610	-	-	-	-
	AEH0743*4HWA	77,076	22,589	85,892	25,172	3	14,600	24,806	30	762	-	-	-	-
	AEH0753*4HWA	79,617	23,333	88,123	25,826	4	11,900	20,218	24	610	-	-	-	-
	AEH0923*4HWA	97,185	28,482	107,631	31,543	3	14,600	24,806	30	762	-	-	-	-
	AEH1063*4HWA	111,015	32,535	123,135	36,087	3	17,100	29,053	30	762	-	-	-	-
	AEH1333*4HWA	143,245	41,981	171,597	50,290	3	18,700	31,771	30	762	-	-	-	-
AEH1783*4HWA	157,719	46,223	180,289	52,837	4	25,000	42,475	30	762	-	-	-	-	

**Notes:**

\* = Electrical Code Designator (see Nomenclature for details)



# SPECIFICATIONS

Hot Gas Defrost - 60 Hz

	Model	No. of Motors	Totally Enclosed and Variable Speed Motors						Drain Pan Heaters	
			208-230/3/60						Heater Amps	
			Motor HP	Motor Amps	Motor Watts	Fan Circuit MCA	Fan Circuit MOPD	Heater Watts	208-230/3/60	
6 Fins Per Inch	AEH0453CS6HTA	2	1	6.0	1,550	7	20	3,000	7.5	
	AEH0553CS6HTA	2	1	6.0	1,550	7	20	3,000	7.5	
	AEH0613CS6HTA	3	1	9.0	2,330	10	20	3,750	9.4	
	AEH0763CS6HTA	3	1	9.0	2,330	10	20	3,750	9.4	
	AEH0823CS6HTA	4	1	12.0	3,110	13	20	4,950	12.4	
	AEH1023CS6HTA	4	1	12.0	3,110	13	20	4,950	12.4	
	AEH1003CS6HTA	3	2-1/4	21.0	7,190	23	40	6,600	16.6	
	AEH1253CS6HTA	3	2-1/4	21.0	7,190	23	40	6,600	16.6	
	AEH1443CS6HTA	3	2-1/4	21.0	7,190	23	40	6,600	16.6	
	AEH1713CS6HTA	3	2-1/4	21.0	7,190	23	40	6,900	17.3	
	AEH2303CS6HTB	4	2-1/4	28.0	9,590	30	45	9,300	23.3	
4.5 Fins Per Inch	AEH0403CS4HTA	2	1	6.0	1,550	7	20	3,000	7.5	
	AEH0503CS4HTA	2	1	6.0	1,550	7	20	3,000	7.5	
	AEH0543CS4HTA	3	1	9.0	2,330	10	20	3,750	9.4	
	AEH0693CS4HTA	3	1	9.0	2,330	10	20	3,750	9.4	
	AEH0733CS4HTA	4	1	12.0	3,110	13	20	4,950	12.4	
	AEH0933CS4HTA	4	1	12.0	3,110	13	20	4,950	12.4	
	AEH0893CS4HTA	3	2-1/4	21.0	7,190	23	40	6,600	16.6	
	AEH1143CS4HTA	3	2-1/4	21.0	7,190	23	40	6,600	16.6	
	AEH1303CS4HTA	3	2-1/4	21.0	7,190	23	40	6,600	16.6	
	AEH1593CS4HTA	3	2-1/4	21.0	7,190	23	40	6,900	17.3	
	AEH2143CS4HTB	4	2-1/4	28.0	9,590	30	45	9,300	23.3	

# SPECIFICATIONS

Hot Gas Defrost - 60 Hz

	Model	No. of Motors	Totally Enclosed and Variable Speed Motors						Drain Pan Heaters	
			460/3/60						Heater Amps	
			Motor HP	Motor Amps	Motor Watts	Fan Circuit MCA	Fan Circuit MOPD	Heater Watts	460/3/60	
6 Fins Per Inch	AEH0453DS6HTA	2	1	3.0	1,550	3	15	3,000	3.8	
	AEH0553DS6HTA	2	1	3.0	1,550	3	15	3,000	3.8	
	AEH0613DS6HTA	3	1	4.5	2,330	5	15	3,750	4.7	
	AEH0763DS6HTA	3	1	4.5	2,330	5	15	3,750	4.7	
	AEH0823DS6HTA	4	1	6.0	3,110	6	15	4,950	6.2	
	AEH1023DS6HTA	4	1	6.0	3,110	6	15	4,950	6.2	
	AEH1003DS6HTA	3	2-1/4	10.5	7,190	11	20	6,600	8.3	
	AEH1253DS6HTA	3	2-1/4	10.5	7,190	11	20	6,600	8.3	
	AEH1443DS6HTA	3	2-1/4	10.5	7,190	11	20	6,600	8.3	
	AEH1713DS6HTA	3	2-1/4	10.5	7,190	11	20	6,900	8.7	
AEH2303DS6HTB	4	2-1/4	14.0	9,590	15	25	9,300	11.7		
4.5 Fins Per Inch	AEH0403DS4HTA	2	1	3.0	1,550	3	15	3,000	3.8	
	AEH0503DS4HTA	2	1	3.0	1,550	3	15	3,000	3.8	
	AEH0543DS4HTA	3	1	4.5	2,330	5	15	3,750	4.7	
	AEH0693DS4HTA	3	1	4.5	2,330	5	15	3,750	4.7	
	AEH0733DS4HTA	4	1	6.0	3,110	6	15	4,950	6.2	
	AEH0933DS4HTA	4	1	6.0	3,110	6	15	4,950	6.2	
	AEH0893DS4HTA	3	2-1/4	10.5	7,190	11	20	6,600	8.3	
	AEH1143DS4HTA	3	2-1/4	10.5	7,190	11	20	6,600	8.3	
	AEH1303DS4HTA	3	2-1/4	10.5	7,190	11	20	6,600	8.3	
	AEH1593DS4HTA	3	2-1/4	10.5	7,190	11	20	6,900	8.7	
AEH2143DS4HTB	4	2-1/4	14.0	9,590	15	25	9,300	11.7		

# SPECIFICATIONS

Hot Gas Defrost - 60 Hz

	Model	No. of Motors	Totally Enclosed and Variable Speed Motors						Drain Pan Heaters	
			575/3/60						Heater Amps	
			Motor HP	Motor Amps	Motor Watts	Fan Circuit MCA	Fan Circuit MOPD	Heater Watts	575/3/60	
6 Fins Per Inch	AEH0453ES6ETA	2	3/4	1.8	1,040	2	15	3,000	3.0	
	AEH0553ES6ETA	2	3/4	1.8	1,040	2	15	3,000	3.0	
	AEH0613ES6ETA	3	3/4	2.7	1,560	3	15	3,750	3.8	
	AEH0763ES6ETA	3	3/4	2.7	1,560	3	15	3,750	3.8	
	AEH0823ES6ETA	4	3/4	3.6	2,080	4	15	4,950	5.0	
	AEH1023ES6ETA	4	3/4	3.6	2,080	4	15	4,950	5.0	
	AEH1003ES6ETA	3	2-1/4	7.2	6,170	8	15	6,600	6.6	
	AEH1253ES6ETA	3	2-1/4	7.2	6,170	8	15	6,600	6.6	
	AEH1443ES6ETA	3	2-1/4	7.2	6,170	8	15	6,600	6.6	
	AEH1713ES6ETA	3	2-1/4	7.2	6,170	8	15	6,900	6.9	
	AEH2303ES6ETB	4	2-1/4	9.6	8,220	10	15	9,300	9.3	
4.5 Fins Per Inch	AEH0403ES4ETA	2	3/4	1.8	1,040	2	15	3,000	3.0	
	AEH0503ES4ETA	2	3/4	1.8	1,040	2	15	3,000	3.0	
	AEH0543ES4ETA	3	3/4	2.7	1,560	3	15	3,750	3.8	
	AEH0693ES4ETA	3	3/4	2.7	1,560	3	15	3,750	3.8	
	AEH0733ES4ETA	4	3/4	3.6	2,080	4	15	4,950	5.0	
	AEH0933ES4ETA	4	3/4	3.6	2,080	4	15	4,950	5.0	
	AEH0893ES4ETA	3	2-1/4	7.2	6,170	8	15	6,600	6.6	
	AEH1143ES4ETA	3	2-1/4	7.2	6,170	8	15	6,600	6.6	
	AEH1303ES4ETA	3	2-1/4	7.2	6,170	8	15	6,600	6.6	
	AEH1593ES4ETA	3	2-1/4	7.2	6,170	8	15	6,900	6.9	
	AEH2143ES4ETB	4	2-1/4	9.6	8,220	10	15	9,300	9.3	

# SPECIFICATIONS

Hot Gas Defrost - 60 Hz

	Model	No. of Motors	Washdown Motors						Drain Pan Heaters	
			208-230/3/60						Heater Amps	
			Motor HP	Motor Amps	Motor Watts	Fan Circuit MCA	Fan Circuit MOPD	Heater Watts	208-230/3/60	
6 Fins Per Inch	AEH0363CS6HWA	2	1-3/4	13.0	3,160	15	30	3,000	7.5	
	AEH0443CS6HWA	2	1-3/4	13.0	3,160	15	30	3,000	7.5	
	AEH0493CS6HWA	3	1-3/4	19.5	4,740	21	35	3,750	9.4	
	AEH0613CS6HWA	3	1-3/4	19.5	4,740	21	35	3,750	9.4	
	AEH0673CS6HWA	4	1-3/4	26.0	6,320	28	45	4,950	12.4	
	AEH0833CS6HWA	4	1-3/4	26.0	6,320	28	45	4,950	12.4	
	AEH0823CS6HWA	3	1-3/4	19.5	4,740	21	35	6,600	16.6	
	AEH1023CS6HWA	3	1-3/4	19.5	4,740	21	35	6,600	16.6	
	AEH1173CS6HWA	3	1-3/4	19.5	4,740	21	35	6,600	16.6	
	AEH1433CS6HWA	3	1-3/4	19.5	4,740	21	35	6,900	17.3	
	AEH1933CS6HWA	4	1-3/4	26.0	6,320	28	45	9,300	23.3	
4.5 Fins Per Inch	AEH0323CS4HWA	2	1-3/4	13.0	3,160	15	30	3,000	7.5	
	AEH0413CS4HWA	2	1-3/4	13.0	3,160	15	30	3,000	7.5	
	AEH0443CS4HWA	3	1-3/4	19.5	4,740	21	35	3,750	9.4	
	AEH0553CS4HWA	3	1-3/4	19.5	4,740	21	35	3,750	9.4	
	AEH0603CS4HWA	4	1-3/4	26.0	6,320	28	45	4,950	12.4	
	AEH0753CS4HWA	4	1-3/4	26.0	6,320	28	45	4,950	12.4	
	AEH0743CS4HWA	3	1-3/4	19.5	4,740	21	35	6,600	16.6	
	AEH0923CS4HWA	3	1-3/4	19.5	4,740	21	35	6,600	16.6	
	AEH1063CS4HWA	3	1-3/4	19.5	4,740	21	35	6,600	16.6	
	AEH1333CS4HWA	3	1-3/4	19.5	4,740	21	35	6,900	17.3	
	AEH1783CS4HWA	4	1-3/4	26.0	6,320	28	45	9,300	23.3	

# SPECIFICATIONS

Hot Gas Defrost - 60 Hz

	Model	No. of Motors	Washdown Motors						Drain Pan Heaters	
			460/3/60						Heater Amps	
			Motor HP	Motor Amps	Motor Watts	Fan Circuit MCA	Fan Circuit MOPD	Heater Watts	460/3/60	
6 Fins Per Inch	AEH0363DS6HWA	2	1-3/4	6.6	3,210	7	15	3,000	3.8	
	AEH0443DS6HWA	2	1-3/4	6.6	3,210	7	15	3,000	3.8	
	AEH0493DS6HWA	3	1-3/4	9.9	4,810	11	20	3,750	4.7	
	AEH0613DS6HWA	3	1-3/4	9.9	4,810	11	20	3,750	4.7	
	AEH0673DS6HWA	4	1-3/4	13.2	6,420	14	20	4,950	6.2	
	AEH0833DS6HWA	4	1-3/4	13.2	6,420	14	20	4,950	6.2	
	AEH0823DS6HWA	3	1-3/4	9.9	4,810	11	20	6,600	8.3	
	AEH1023DS6HWA	3	1-3/4	9.9	4,810	11	20	6,600	8.3	
	AEH1173DS6HWA	3	1-3/4	9.9	4,810	11	20	6,600	8.3	
	AEH1433DS6HWA	3	1-3/4	9.9	4,810	11	20	6,900	8.7	
	AEH1933DS6HWA	4	1-3/4	13.2	6,420	14	20	9,300	11.7	
4.5 Fins Per Inch	AEH0323DS4HWA	2	1-3/4	6.6	3,210	7	15	3,000	3.8	
	AEH0413DS4HWA	2	1-3/4	6.6	3,210	7	15	3,000	3.8	
	AEH0443DS4HWA	3	1-3/4	9.9	4,810	11	20	3,750	4.7	
	AEH0553DS4HWA	3	1-3/4	9.9	4,810	11	20	3,750	4.7	
	AEH0603DS4HWA	4	1-3/4	13.2	6,420	14	20	4,950	6.2	
	AEH0753DS4HWA	4	1-3/4	13.2	6,420	14	20	4,950	6.2	
	AEH0743DS4HWA	3	1-3/4	9.9	4,810	11	20	6,600	8.3	
	AEH0923DS4HWA	3	1-3/4	9.9	4,810	11	20	6,600	8.3	
	AEH1063DS4HWA	3	1-3/4	9.9	4,810	11	20	6,600	8.3	
	AEH1333DS4HWA	3	1-3/4	9.9	4,810	11	20	6,900	8.7	
	AEH1783DS4HWA	4	1-3/4	13.2	6,420	14	20	9,300	11.7	

# SPECIFICATIONS

Hot Gas Defrost - 60 Hz

	Model	No. of Motors	Washdown Motors					Drain Pan Heaters	
			575/3/60					Heater Watts	Heater Amps
			Motor HP	Motor Amps	Motor Watts	Fan Circuit MCA	Fan Circuit MOPD		575/3/60
6 Fins Per Inch	AEH0363ES6HWA	2	1-3/4	4.8	2,920	5	15	3,000	3.0
	AEH0443ES6HWA	2	1-3/4	4.8	2,920	5	15	3,000	3.0
	AEH0493ES6HWA	3	1-3/4	7.2	4,370	8	15	3,750	3.8
	AEH0613ES6HWA	3	1-3/4	7.2	4,370	8	15	3,750	3.8
	AEH0673ES6HWA	4	1-3/4	9.6	5,830	10	15	4,950	5.0
	AEH0833ES6HWA	4	1-3/4	9.6	5,830	10	15	4,950	5.0
	AEH0823ES6HWA	3	1-3/4	7.2	4,370	8	15	6,600	6.6
	AEH1023ES6HWA	3	1-3/4	7.2	4,370	8	15	6,600	6.6
	AEH1173ES6HWA	3	1-3/4	7.2	4,370	8	15	6,600	6.6
	AEH1433ES6HWA	3	1-3/4	7.2	4,370	8	15	6,900	6.9
AEH1933ES6HWA	4	1-3/4	9.6	5,830	10	15	9,300	9.3	
4.5 Fins Per Inch	AEH0323ES4HWA	2	1-3/4	4.8	2,920	5	15	3,000	3.0
	AEH0413ES4HWA	2	1-3/4	4.8	2,920	5	15	3,000	3.0
	AEH0443ES4HWA	3	1-3/4	7.2	4,370	8	15	3,750	3.8
	AEH0553ES4HWA	3	1-3/4	7.2	4,370	8	15	3,750	3.8
	AEH0603ES4HWA	4	1-3/4	9.6	5,830	10	15	4,950	5.0
	AEH0753ES4HWA	4	1-3/4	9.6	5,830	10	15	4,950	5.0
	AEH0743ES4HWA	3	1-3/4	7.2	4,370	8	15	6,600	6.6
	AEH0923ES4HWA	3	1-3/4	7.2	4,370	8	15	6,600	6.6
	AEH1063ES4HWA	3	1-3/4	7.2	4,370	8	15	6,600	6.6
	AEH1333ES4HWA	3	1-3/4	7.2	4,370	8	15	6,900	6.9
AEH1783ES4HWA	4	1-3/4	9.6	5,830	10	15	9,300	9.3	

# PERFORMANCE DATA

Selection Capacity: Air Defrost - 50 Hz

Totally Enclosed and Variable Speed Motors														
Model	Selection Capacity				No. of Fans	Fan Data				Air Throw				
	R-404A/R-507A		R-407A/R-407F			Air Volume		Diameter		Standard		With Collar		
	10°F TD 25°F SST	6°C TD -4°C SST	10°F TD 25°F SST	6°C TD -4°C SST										
	BTUH	Watts	BTUH	Watts		CFM	m <sup>3</sup> H	in	mm	ft	m	ft	m	
8 Fins Per Inch	AEH3133XS8ATA	193,604	56,740	312,809	91,675	3	23,400	39,757	30	762	110	34	130	40
	AEH3783XS8ATB	183,565	53,798	264,960	77,652	4	26,700	45,364	30	762	110	34	130	40
	AEH4153XS8ATB	214,013	62,721	305,665	89,582	4	31,200	53,009	30	762	110	34	130	40
6 Fins Per Inch	AEH0573XS6ATA	37,950	11,122	52,996	15,532	2	8,100	13,762	24	610	60	18	80	24
	AEH0743XS6ATA	45,086	13,213	68,410	20,049	2	8,100	13,762	24	610	60	18	80	24
	AEH0773XS6ATA	52,054	15,256	70,765	20,739	3	11,300	19,199	24	610	60	18	80	24
	AEH0963XS6ATA	60,890	17,845	88,207	25,851	3	11,300	19,199	24	610	60	18	80	24
	AEH1093XS6ATA	71,029	20,817	99,651	29,205	4	15,100	25,655	24	610	60	18	80	24
	AEH1333XS6ATA	87,172	25,548	122,132	35,793	3	18,600	31,602	30	762	90	27	100	30
	AEH1353XS6ATA	84,028	24,626	124,154	36,386	4	15,100	25,655	24	610	60	18	80	24
	AEH1663XS6ATA	102,181	29,946	151,909	44,520	3	18,600	31,602	30	762	90	27	100	30
	AEH1913XS6ATA	118,069	34,603	174,602	51,171	3	21,900	37,208	30	762	90	27	100	30
	AEH2853XS6ATA	180,728	52,966	282,322	82,740	3	23,900	40,606	30	762	110	34	130	40
	AEH3233XS6ATB	170,468	49,959	246,515	72,246	4	27,400	46,553	30	762	110	34	130	40
	AEH3833XS6ATB	203,922	59,764	285,536	83,682	4	31,900	54,198	30	762	110	34	130	40

# PERFORMANCE DATA

Selection Capacity: Air Defrost - 50 Hz

Totally Enclosed and Variable Speed Motors														
Model	Selection Capacity				Fan Data					Air Throw				
	R-407C		R-448A/R-449A											
	10°F TD 25°F SST	6°C TD -4°C SST	10°F TD 25°F SST	6°C TD -4°C SST	No. of Fans	Air Volume		Diameter		Standard		With Collar		
	BTUH	Watts	BTUH	Watts		CFM	m <sup>3</sup> H	in	mm	ft	m	ft	m	
8 Fins Per Inch	AEH3133XS8ATA	307,934	90,246	337,198	98,823	3	23,400	39,757	30	762	110	34	130	40
	AEH3783XS8ATB	268,402	78,661	300,088	87,947	4	26,700	45,364	30	762	110	34	130	40
	AEH4153XS8ATB	309,923	90,829	346,795	101,636	4	31,200	53,009	30	762	110	34	130	40
6 Fins Per Inch	AEH0573XS6ATA	56,344	16,513	54,999	16,119	2	8,100	13,762	24	610	60	18	80	24
	AEH0743XS6ATA	71,239	20,878	70,603	20,692	2	8,100	13,762	24	610	60	18	80	24
	AEH0773XS6ATA	77,854	22,817	72,830	21,344	3	11,300	19,199	24	610	60	18	80	24
	AEH0963XS6ATA	94,376	27,659	90,687	26,578	3	11,300	19,199	24	610	60	18	80	24
	AEH1093XS6ATA	104,636	30,666	105,410	30,893	4	15,100	25,655	24	610	60	18	80	24
	AEH1333XS6ATA	127,927	37,492	128,576	37,682	3	18,600	31,602	30	762	90	27	100	30
	AEH1353XS6ATA	130,338	38,198	127,829	37,463	4	15,100	25,655	24	610	60	18	80	24
	AEH1663XS6ATA	159,528	46,753	156,515	45,870	3	18,600	31,602	30	762	90	27	100	30
	AEH1913XS6ATA	183,357	53,737	180,268	52,831	3	21,900	37,208	30	762	90	27	100	30
	AEH2853XS6ATA	282,649	82,836	298,568	87,502	3	23,900	40,606	30	762	110	34	130	40
	AEH3233XS6ATB	245,947	72,080	267,236	78,319	4	27,400	46,553	30	762	110	34	130	40
	AEH3833XS6ATB	295,279	86,538	301,853	88,464	4	31,900	54,198	30	762	110	34	130	40



# PERFORMANCE DATA

Selection Capacity: Air Defrost - 50 Hz

Washdown Motors														
Model	Selection Capacity				No. of Fans	Fan Data				Air Throw				
	R-404A/R-507A		R-407A/R-407F			Air Volume		Diameter		Standard		With Collar		
	10°F TD 25°F SST	6°C TD -4°C SST	10°F TD 25°F SST	6°C TD -4°C SST		CFM	m³H	in	mm	ft	m	ft	m	
	BTUH	Watts	BTUH	Watts										
8 Fins Per Inch	AEH2543XS8AWA	160,866	47,145	265,735	77,879	3	15,900	27,014	30	762	-	-	-	-
	AEH3023XS8AWB	148,369	43,483	222,163	65,110	4	18,100	30,752	30	762	-	-	-	-
	AEH3403XS8AWB	170,569	49,989	256,772	75,253	4	21,200	36,019	30	762	-	-	-	-
6 Fins Per Inch	AEH0463XS6AWA	29,340	8,599	42,944	12,586	2	5,500	9,345	24	610	-	-	-	-
	AEH0593XS6AWA	34,671	10,161	54,904	16,091	2	5,500	9,345	24	610	-	-	-	-
	AEH0623XS6AWA	39,960	11,711	57,461	16,840	3	7,700	13,082	24	610	-	-	-	-
	AEH0763XS6AWA	45,267	13,266	70,695	20,719	3	7,700	13,082	24	610	-	-	-	-
	AEH0883XS6AWA	55,169	16,168	80,987	23,735	4	10,200	17,330	24	610	-	-	-	-
	AEH1073XS6AWA	63,195	18,521	99,563	29,179	4	10,200	17,330	24	610	-	-	-	-
	AEH1083XS6AWA	67,970	19,920	99,363	29,120	3	12,600	21,408	30	762	-	-	-	-
	AEH1323XS6AWA	77,541	22,725	121,922	35,732	3	12,600	21,408	30	762	-	-	-	-
	AEH1523XS6AWA	89,656	26,276	140,497	41,176	3	14,800	25,145	30	762	-	-	-	-
	AEH2293XS6AWA	150,087	43,986	242,992	71,214	3	16,200	27,524	30	762	-	-	-	-
	AEH2633XS6AWB	134,538	39,429	205,363	60,186	4	18,600	31,602	30	762	-	-	-	-
	AEH3073XS6AWB	157,272	46,092	233,988	68,575	4	21,600	36,699	30	762	-	-	-	-

# PERFORMANCE DATA

Selection Capacity: Air Defrost - 50 Hz

Washdown Motors														
Model	Selection Capacity				No. of Fans	Fan Data				Air Throw				
	R-407C		R-448A/R-449A			Air Volume		Diameter		Standard		With Collar		
	10°F TD 25°F SST	6°C TD -4°C SST	10°F TD 25°F SST	6°C TD -4°C SST		CFM	m³H	in	mm	ft	m	ft	m	
	BTUH	Watts	BTUH	Watts										
8 Fins Per Inch	AEH2543XS8AWA	266,237	78,026	281,342	82,453	3	15,900	27,014	30	762	-	-	-	-
	AEH3023XS8AWB	227,364	66,634	243,443	71,346	4	18,100	30,752	30	762	-	-	-	-
	AEH3403XS8AWB	262,609	76,963	281,732	82,568	4	21,200	36,019	30	762	-	-	-	-
6 Fins Per Inch	AEH0463XS6AWA	45,559	13,352	43,799	12,836	2	5,500	9,345	24	610	-	-	-	-
	AEH0593XS6AWA	57,268	16,784	55,959	16,400	2	5,500	9,345	24	610	-	-	-	-
	AEH0623XS6AWA	61,358	17,982	58,672	17,195	3	7,700	13,082	24	610	-	-	-	-
	AEH0763XS6AWA	75,371	22,089	71,722	21,020	3	7,700	13,082	24	610	-	-	-	-
	AEH0883XS6AWA	85,036	24,922	82,717	24,242	4	10,200	17,330	24	610	-	-	-	-
	AEH1073XS6AWA	104,471	30,617	101,253	29,674	4	10,200	17,330	24	610	-	-	-	-
	AEH1083XS6AWA	104,107	30,511	101,578	29,770	3	12,600	21,408	30	762	-	-	-	-
	AEH1323XS6AWA	127,987	37,509	124,040	36,353	3	12,600	21,408	30	762	-	-	-	-
	AEH1523XS6AWA	147,506	43,230	143,138	41,950	3	14,800	25,145	30	762	-	-	-	-
	AEH2293XS6AWA	245,031	71,812	251,949	73,839	3	16,200	27,524	30	762	-	-	-	-
	AEH2633XS6AWB	207,837	60,911	217,563	63,761	4	18,600	31,602	30	762	-	-	-	-
	AEH3073XS6AWB	244,110	71,541	243,884	71,475	4	21,600	36,699	30	762	-	-	-	-

# SPECIFICATIONS

## Air Defrost - 50 Hz

	Model	No. of Motors	Totally Enclosed and Variable Speed Motors		
			380V / 50Hz		
			Motor HP	Motor Amps	Motor Watts
6 Fins Per Inch	AEH0573XS6ATA	2	3/4	3.5	1,430
	AEH0743XS6ATA	2	3/4	3.5	1,430
	AEH0773XS6ATA	3	3/4	5.3	2,140
	AEH0963XS6ATA	3	3/4	5.3	2,140
	AEH1093XS6ATA	4	3/4	7.0	2,860
	AEH1353XS6ATA	4	3/4	7.0	2,860
	AEH1333XS6ATA	3	1-1/3	7.8	3,750
	AEH1663XS6ATA	3	1-1/3	7.8	3,750
	AEH1913XS6ATA	3	1-1/3	7.8	3,750
	AEH2853XS6ATA	3	1-1/3	7.8	3,750
	AEH3233XS6ATB	4	1-1/3	10.4	5,000
	AEH3833XS6ATB	4	1-1/3	10.4	5,000
8 Fins Per Inch	AEH3133XS8ATA	3	1-1/3	7.8	3,750
	AEH3783XS8ATB	4	1-1/3	10.4	5,000
	AEH4153XS8ATB	4	1-1/3	10.4	5,000

	Model	No. of Motors	Washdown Motors		
			380V / 50Hz		
			Motor HP	Motor Amps	Motor Watts
6 Fins Per Inch	AEH0463XS6AWA	2	1-1/2	5.6	1,990
	AEH0593XS6AWA	2	1-1/2	5.6	1,990
	AEH0623XS6AWA	3	1-1/2	8.4	2,990
	AEH0763XS6AWA	3	1-1/2	8.4	2,990
	AEH0883XS6AWA	4	1-1/2	11.2	3,980
	AEH1073XS6AWA	4	1-1/2	11.2	3,980
	AEH1083XS6AWA	3	1-1/2	8.4	2,990
	AEH1323XS6AWA	3	1-1/2	8.4	2,990
	AEH1523XS6AWA	3	1-1/2	8.4	2,990
	AEH2293XS6AWA	3	1-1/2	8.4	2,990
	AEH2633XS6AWB	4	1-1/2	11.2	3,980
	AEH3073XS6AWB	4	1-1/2	11.2	3,980
8 Fins Per Inch	AEH2543XS8AWA	3	1-1/2	8.4	2,990
	AEH3023XS8AWB	4	1-1/2	11.2	3,980
	AEH3403XS8AWB	4	1-1/2	11.2	3,980

# PERFORMANCE DATA

Selection Capacity: Low Temp Electric Defrost - 50 Hz

Totally Enclosed and Variable Speed Motors														
Model	Selection Capacity				Fan Data					Air Throw				
	R-404A/R-507A		R-407A/R-407F											
	10°F TD -20°F SST	6°C TD -29°C SST	10°F TD -20°F SST	6°C TD -29°C SST	No. of Fans	Air Volume		Diameter		Standard		With Collar		
	BTUH	Watts	BTUH	Watts		CFM	m <sup>3</sup> H	in	mm	ft	m	ft	m	
6 Fins Per Inch	AEH0453XS6ETA	29,714	8,708	40,121	11,758	2	8,100	13,762	24	610	60	18	80	24
	AEH0553XS6ETA	35,337	10,356	49,323	14,455	2	8,100	13,762	24	610	60	18	80	24
	AEH0613XS6ETA	40,642	11,911	54,445	15,956	3	11,300	19,199	24	610	60	18	80	24
	AEH0763XS6ETA	49,691	14,563	68,015	19,933	3	11,300	19,199	24	610	60	18	80	24
	AEH0823XS6ETA	53,934	15,806	73,208	21,455	4	15,100	25,655	24	610	60	18	80	24
	AEH1003XS6ETA	65,764	19,274	89,290	26,168	3	18,600	31,602	30	762	90	27	100	30
	AEH1023XS6ETA	66,125	19,379	91,730	26,883	4	15,100	25,655	24	610	60	18	80	24
	AEH1253XS6ETA	81,037	23,750	112,204	32,884	3	18,600	31,602	30	762	90	27	100	30
	AEH1443XS6ETA	93,202	27,315	128,571	37,680	3	21,900	37,208	30	762	90	27	100	30
	AEH1713XS6ETA	112,531	32,980	159,285	46,682	3	23,900	40,606	30	762	110	34	130	40
	AEH2303XS6ETB	133,995	39,270	176,024	51,587	4	31,900	54,198	30	762	110	34	130	40
4.5 Fins Per Inch	AEH0403XS4ETA	26,888	7,880	36,127	10,588	2	8,500	14,442	24	610	60	18	80	24
	AEH0503XS4ETA	32,765	9,602	45,277	13,269	2	8,500	14,442	24	610	60	18	80	24
	AEH0543XS4ETA	36,692	10,753	48,972	14,352	3	11,900	20,218	24	610	60	18	80	24
	AEH0693XS4ETA	45,477	13,328	61,780	18,106	3	11,900	20,218	24	610	60	18	80	24
	AEH0733XS4ETA	49,131	14,399	66,365	19,450	4	15,900	27,014	24	610	60	18	80	24
	AEH0893XS4ETA	59,856	17,542	80,873	23,702	3	19,500	33,131	30	762	90	27	100	30
	AEH0933XS4ETA	61,036	17,888	83,934	24,599	4	15,900	27,014	24	610	60	18	80	24
	AEH1143XS4ETA	74,510	21,837	102,415	30,015	3	19,500	33,131	30	762	90	27	100	30
	AEH1303XS4ETA	85,186	24,966	116,767	34,221	3	22,700	38,568	30	762	90	27	100	30
	AEH1593XS4ETA	106,692	31,268	149,327	43,763	3	24,900	42,305	30	762	110	34	130	40
	AEH2143XS4ETB	124,661	36,535	162,673	47,675	4	33,100	56,237	30	762	110	34	130	40

# PERFORMANCE DATA

Selection Capacity: Low Temp Electric Defrost - 50 Hz

Totally Enclosed and Variable Speed Motors														
Model	Selection Capacity				Fan Data						Air Throw			
	R-407C		R-448A/R-449A		No. of Fans	Air Volume		Diameter		Standard		With Collar		
	10°F TD -20°F SST	6°C TD -29°C SST	10°F TD -20°F SST	6°C TD -29°C SST		CFM	m³H	in	mm	ft	m	ft	m	
	BTUH	Watts	BTUH	Watts										
6 Fins Per Inch	AEH0453XS6ETA	38,368	11,245	42,694	12,512	2	8,100	13,762	24	610	60	18	80	24
	AEH0553XS6ETA	45,489	13,332	52,186	15,294	2	8,100	13,762	24	610	60	18	80	24
	AEH0613XS6ETA	52,782	15,469	58,065	17,017	3	11,300	19,199	24	610	60	18	80	24
	AEH0763XS6ETA	66,036	19,353	72,261	21,178	3	11,300	19,199	24	610	60	18	80	24
	AEH0823XS6ETA	68,450	20,061	77,939	22,842	4	15,100	25,655	24	610	60	18	80	24
	AEH1003XS6ETA	83,241	24,396	95,072	27,863	3	18,600	31,602	30	762	90	27	100	30
	AEH1023XS6ETA	86,038	25,215	97,580	28,598	4	15,100	25,655	24	610	60	18	80	24
	AEH1253XS6ETA	105,243	30,844	119,346	34,977	3	18,600	31,602	30	762	90	27	100	30
	AEH1443XS6ETA	120,494	35,313	136,897	40,121	3	21,900	37,208	30	762	90	27	100	30
	AEH1713XS6ETA	138,213	40,506	171,460	50,250	3	23,900	40,606	30	762	110	34	130	40
	AEH2303XS6ETB	163,372	47,880	195,025	57,156	4	31,900	54,198	30	762	110	34	130	40
4.5 Fins Per Inch	AEH0403XS4ETA	34,631	10,149	38,247	11,209	2	8,500	14,442	24	610	60	18	80	24
	AEH0503XS4ETA	42,040	12,321	47,748	13,994	2	8,500	14,442	24	610	60	18	80	24
	AEH0543XS4ETA	47,504	13,922	51,930	15,219	3	11,900	20,218	24	610	60	18	80	24
	AEH0693XS4ETA	60,024	17,591	65,305	19,139	3	11,900	20,218	24	610	60	18	80	24
	AEH0733XS4ETA	62,368	18,278	70,240	20,585	4	15,900	27,014	24	610	60	18	80	24
	AEH0893XS4ETA	75,769	22,206	85,614	25,091	3	19,500	33,131	30	762	90	27	100	30
	AEH0933XS4ETA	79,039	23,164	88,466	25,927	4	15,900	27,014	24	610	60	18	80	24
	AEH1143XS4ETA	96,487	28,278	108,253	31,726	3	19,500	33,131	30	762	90	27	100	30
	AEH1303XS4ETA	109,894	32,207	123,526	36,202	3	22,700	38,568	30	762	90	27	100	30
	AEH1593XS4ETA	131,250	38,465	161,994	47,476	3	24,900	42,305	30	762	110	34	130	40
	AEH2143XS4ETB	152,149	44,590	178,913	52,434	4	33,100	56,237	30	762	110	34	130	40

# PERFORMANCE DATA

Selection Capacity: Low Temp Electric Defrost - 50 Hz

Washdown Motors														
Model	Selection Capacity				No. of Fans	Fan Data				Air Throw				
	R-404A/R-507A		R-407A/R-407F			Air Volume		Diameter		Standard		With Collar		
	10°F TD -20°F SST	6°C TD -29°C SST	10°F TD -20°F SST	6°C TD -29°C SST										
	BTUH	Watts	BTUH	Watts		CFM	m³H	in	mm	ft	m	ft	m	
6 Fins Per Inch	AEH0363XS6EWA	23,798	6,975	32,925	9,649	2	5,500	9,345	24	610	-	-	-	-
	AEH0443XS6EWA	28,321	8,300	40,570	11,890	2	5,500	9,345	24	610	-	-	-	-
	AEH0493XS6EWA	32,445	9,509	44,583	13,066	3	7,700	13,082	24	610	-	-	-	-
	AEH0613XS6EWA	39,030	11,439	54,948	16,104	3	7,700	13,082	24	610	-	-	-	-
	AEH0673XS6EWA	43,637	12,789	60,660	17,778	4	10,200	17,330	24	610	-	-	-	-
	AEH0823XS6EWA	53,355	15,637	74,148	21,731	3	12,600	21,408	30	762	-	-	-	-
	AEH0833XS6EWA	52,588	15,412	74,972	21,972	4	10,200	17,330	24	610	-	-	-	-
	AEH1023XS6EWA	64,530	18,912	91,735	26,885	3	12,600	21,408	30	762	-	-	-	-
	AEH1173XS6EWA	74,368	21,795	105,461	30,908	3	14,800	25,145	30	762	-	-	-	-
	AEH1433XS6EWA	97,027	28,436	141,471	41,461	3	16,200	27,524	30	762	-	-	-	-
AEH1933XS6EWB	110,875	32,494	149,700	43,873	4	21,600	36,699	30	762	-	-	-	-	
4.5 Fins Per Inch	AEH0323XS4EWA	21,574	6,323	29,623	8,682	2	5,800	9,854	24	610	-	-	-	-
	AEH0413XS4EWA	26,296	7,707	37,202	10,903	2	5,800	9,854	24	610	-	-	-	-
	AEH0443XS4EWA	29,391	8,614	40,096	11,751	3	8,100	13,762	24	610	-	-	-	-
	AEH0553XS4EWA	35,931	10,530	50,033	14,663	3	8,100	13,762	24	610	-	-	-	-
	AEH0603XS4EWA	39,775	11,657	54,870	16,081	4	10,800	18,349	24	610	-	-	-	-
	AEH0743XS4EWA	48,552	14,229	66,965	19,626	3	13,200	22,427	30	762	-	-	-	-
	AEH0753XS4EWA	48,708	14,275	68,576	20,098	4	10,800	18,349	24	610	-	-	-	-
	AEH0923XS4EWA	59,495	17,436	83,719	24,536	3	13,200	22,427	30	762	-	-	-	-
	AEH1063XS4EWA	68,200	19,987	95,664	28,036	3	15,400	26,165	30	762	-	-	-	-
	AEH1333XS4EWA	92,835	27,207	133,349	39,081	3	16,900	28,713	30	762	-	-	-	-
AEH1783XS4EWB	103,194	30,243	138,028	40,452	4	22,400	38,058	30	762	-	-	-	-	

# PERFORMANCE DATA

Selection Capacity: Low Temp Electric Defrost - 50 Hz

Washdown Motors														
Model	Selection Capacity				Fan Data						Air Throw			
	R-407C		R-448A/R-449A		No. of Fans	Air Volume		Diameter		Standard		With Collar		
	10°F TD -20°F SST	6°C TD -29°C SST	10°F TD -20°F SST	6°C TD -29°C SST		CFM	m³H	in	mm	ft	m	ft	m	
	BTUH	Watts	BTUH	Watts										
6 Fins Per Inch	AEH0363XS6EWA	31,663	9,280	34,707	10,172	2	5,500	9,345	24	610	-	-	-	-
	AEH0443XS6EWA	37,923	11,114	42,544	12,468	2	5,500	9,345	24	610	-	-	-	-
	AEH0493XS6EWA	43,352	12,705	47,105	13,805	3	7,700	13,082	24	610	-	-	-	-
	AEH0613XS6EWA	53,488	15,676	57,874	16,961	3	7,700	13,082	24	610	-	-	-	-
	AEH0673XS6EWA	57,239	16,775	63,874	18,720	4	10,200	17,330	24	610	-	-	-	-
	AEH0823XS6EWA	69,821	20,463	78,062	22,878	3	12,600	21,408	30	762	-	-	-	-
	AEH0833XS6EWA	70,935	20,789	78,414	22,981	4	10,200	17,330	24	610	-	-	-	-
	AEH1023XS6EWA	86,862	25,457	96,653	28,326	3	12,600	21,408	30	762	-	-	-	-
	AEH1173XS6EWA	99,690	29,216	111,172	32,581	3	14,800	25,145	30	762	-	-	-	-
	AEH1433XS6EWA	124,821	36,581	150,236	44,030	3	16,200	27,524	30	762	-	-	-	-
	AEH1933XS6EWB	140,861	41,282	163,522	47,923	4	21,600	36,699	30	762	-	-	-	-
4.5 Fins Per Inch	AEH0323XS4EWA	28,514	8,357	31,059	9,102	2	5,800	9,854	24	610	-	-	-	-
	AEH0413XS4EWA	34,866	10,218	38,855	11,387	2	5,800	9,854	24	610	-	-	-	-
	AEH0443XS4EWA	38,969	11,421	42,202	12,368	3	8,100	13,762	24	610	-	-	-	-
	AEH0553XS4EWA	48,682	14,267	52,478	15,380	3	8,100	13,762	24	610	-	-	-	-
	AEH0603XS4EWA	51,942	15,223	57,503	16,852	4	10,800	18,349	24	610	-	-	-	-
	AEH0743XS4EWA	63,248	18,536	70,179	20,567	3	13,200	22,427	30	762	-	-	-	-
	AEH0753XS4EWA	65,056	19,066	71,815	21,047	4	10,800	18,349	24	610	-	-	-	-
	AEH0923XS4EWA	79,396	23,269	87,689	25,699	3	13,200	22,427	30	762	-	-	-	-
	AEH1063XS4EWA	90,658	26,569	100,249	29,380	3	15,400	26,165	30	762	-	-	-	-
	AEH1333XS4EWA	118,548	34,743	142,011	41,619	3	16,900	28,713	30	762	-	-	-	-
AEH1783XS4EWB	130,526	38,253	149,204	43,727	4	22,400	38,058	30	762	-	-	-	-	

# PERFORMANCE DATA

Selection Capacity: Medium Temp Electric Defrost - 50 Hz

Totally Enclosed and Variable Speed Motors														
Model	Selection Capacity				No. of Fans	Fan Data				Air Throw				
	R-404A/R-507A		R-407A/R-407F			Air Volume		Diameter		Standard		With Collar		
	10°F TD 25°F SST	6°C TD -4°C SST	10°F TD 25°F SST	6°C TD -4°C SST		CFM	m <sup>3</sup> H	in	mm	ft	m	ft	m	
	BTUH	Watts	BTUH	Watts										
6 Fins Per Inch	AEH0453XS6ETA	34,468	10,102	46,540	13,640	2	8,100	13,762	24	610	60	18	80	24
	AEH0553XS6ETA	40,991	12,013	57,215	16,768	2	8,100	13,762	24	610	60	18	80	24
	AEH0613XS6ETA	47,145	13,817	63,156	18,509	3	11,300	19,199	24	610	60	18	80	24
	AEH0763XS6ETA	57,642	16,893	78,897	23,122	3	11,300	19,199	24	610	60	18	80	24
	AEH0823XS6ETA	62,563	18,335	84,921	24,888	4	15,100	25,655	24	610	60	18	80	24
	AEH1003XS6ETA	76,286	22,357	103,576	30,355	3	18,600	31,602	30	762	90	27	100	30
	AEH1023XS6ETA	76,705	22,480	106,407	31,185	4	15,100	25,655	24	610	60	18	80	24
	AEH1253XS6ETA	94,003	27,549	130,157	38,145	3	18,600	31,602	30	762	90	27	100	30
	AEH1443XS6ETA	108,114	31,685	149,142	43,709	3	21,900	37,208	30	762	90	27	100	30
	AEH1713XS6ETA	130,536	38,256	184,771	54,151	3	23,900	40,606	30	762	110	34	130	40
	AEH2303XS6ETB	155,434	45,553	204,188	59,841	4	31,900	54,198	30	762	110	34	130	40
4.5 Fins Per Inch	AEH0403XS4ETA	31,190	9,141	41,907	12,282	2	8,500	14,442	24	610	60	18	80	24
	AEH0503XS4ETA	38,007	11,139	52,521	15,392	2	8,500	14,442	24	610	60	18	80	24
	AEH0543XS4ETA	42,563	12,474	56,808	16,649	3	11,900	20,218	24	610	60	18	80	24
	AEH0693XS4ETA	52,753	15,460	71,665	21,003	3	11,900	20,218	24	610	60	18	80	24
	AEH0733XS4ETA	56,992	16,703	76,983	22,562	4	15,900	27,014	24	610	60	18	80	24
	AEH0893XS4ETA	69,433	20,349	93,813	27,494	3	19,500	33,131	30	762	90	27	100	30
	AEH0933XS4ETA	70,802	20,750	97,363	28,534	4	15,900	27,014	24	610	60	18	80	24
	AEH1143XS4ETA	86,432	25,331	118,801	34,817	3	19,500	33,131	30	762	90	27	100	30
	AEH1303XS4ETA	98,816	28,960	135,450	39,696	3	22,700	38,568	30	762	90	27	100	30
	AEH1593XS4ETA	123,763	36,271	173,219	50,765	3	24,900	42,305	30	762	110	34	130	40
	AEH2143XS4ETB	144,607	42,380	188,701	55,302	4	33,100	56,237	30	762	110	34	130	40



# PERFORMANCE DATA

Selection Capacity: Medium Temp Electric Defrost - 50 Hz

Totally Enclosed and Variable Speed Motors														
Model	Selection Capacity				No. of Fans	Fan Data				Air Throw				
	R-407C		R-448A/R-449A			Air Volume		Diameter		Standard		With Collar		
	10°F TD 25°F SST	6°C TD -4°C SST	10°F TD 25°F SST	6°C TD -4°C SST		CFM	m <sup>3</sup> H	in	mm	ft	m	ft	m	
	BTUH	Watts	BTUH	Watts										
6 Fins Per Inch	AEH0453XS6ETA	44,507	13,044	49,525	14,514	2	8,100	13,762	24	610	60	18	80	24
	AEH0553XS6ETA	52,767	15,464	60,536	17,741	2	8,100	13,762	24	610	60	18	80	24
	AEH0613XS6ETA	61,227	17,944	67,355	19,740	3	11,300	19,199	24	610	60	18	80	24
	AEH0763XS6ETA	76,602	22,450	83,823	24,566	3	11,300	19,199	24	610	60	18	80	24
	AEH0823XS6ETA	79,402	23,270	90,409	26,496	4	15,100	25,655	24	610	60	18	80	24
	AEH1003XS6ETA	96,560	28,299	110,284	32,321	3	18,600	31,602	30	762	90	27	100	30
	AEH1023XS6ETA	99,804	29,250	113,193	33,173	4	15,100	25,655	24	610	60	18	80	24
	AEH1253XS6ETA	122,082	35,779	138,441	40,573	3	18,600	31,602	30	762	90	27	100	30
	AEH1443XS6ETA	139,773	40,963	158,801	46,540	3	21,900	37,208	30	762	90	27	100	30
	AEH1713XS6ETA	160,327	46,987	198,894	58,290	3	23,900	40,606	30	762	110	34	130	40
AEH2303XS6ETB	189,512	55,540	226,229	66,301	4	31,900	54,198	30	762	110	34	130	40	
4.5 Fins Per Inch	AEH0403XS4ETA	40,172	11,773	44,367	13,002	2	8,500	14,442	24	610	60	18	80	24
	AEH0503XS4ETA	48,766	14,292	55,388	16,232	2	8,500	14,442	24	610	60	18	80	24
	AEH0543XS4ETA	55,105	16,150	60,239	17,654	3	11,900	20,218	24	610	60	18	80	24
	AEH0693XS4ETA	69,628	20,406	75,754	22,201	3	11,900	20,218	24	610	60	18	80	24
	AEH0733XS4ETA	72,347	21,203	81,478	23,879	4	15,900	27,014	24	610	60	18	80	24
	AEH0893XS4ETA	87,892	25,759	99,312	29,105	3	19,500	33,131	30	762	90	27	100	30
	AEH0933XS4ETA	91,685	26,870	102,621	30,075	4	15,900	27,014	24	610	60	18	80	24
	AEH1143XS4ETA	111,925	32,802	125,573	36,802	3	19,500	33,131	30	762	90	27	100	30
	AEH1303XS4ETA	127,477	37,360	143,290	41,994	3	22,700	38,568	30	762	90	27	100	30
	AEH1593XS4ETA	152,249	44,620	187,914	55,072	3	24,900	42,305	30	762	110	34	130	40
AEH2143XS4ETB	176,492	51,725	207,539	60,823	4	33,100	56,237	30	762	110	34	130	40	

# PERFORMANCE DATA

Selection Capacity: Medium Temp Electric Defrost - 50 Hz

Washdown Motors														
Model	Selection Capacity				Fan Data						Air Throw			
	R-404A/R-507A		R-407A/R-407F		No. of Fans	Air Volume		Diameter		Standard		With Collar		
	10°F TD 25°F SST	6°C TD -4°C SST	10°F TD 25°F SST	6°C TD -4°C SST		CFM	m <sup>3</sup> H	in	mm	ft	m	ft	m	
	BTUH	Watts	BTUH	Watts										
6 Fins Per Inch	AEH0363XS6EWA	27,606	8,090	38,193	11,193	2	5,500	9,345	24	610	-	-	-	-
	AEH0443XS6EWA	32,852	9,628	47,061	13,792	2	5,500	9,345	24	610	-	-	-	-
	AEH0493XS6EWA	37,636	11,030	51,716	15,156	3	7,700	13,082	24	610	-	-	-	-
	AEH0613XS6EWA	45,275	13,269	63,740	18,680	3	7,700	13,082	24	610	-	-	-	-
	AEH0673XS6EWA	50,619	14,835	70,366	20,622	4	10,200	17,330	24	610	-	-	-	-
	AEH0823XS6EWA	61,892	18,139	86,012	25,207	3	12,600	21,408	30	762	-	-	-	-
	AEH0833XS6EWA	61,002	17,878	86,968	25,488	4	10,200	17,330	24	610	-	-	-	-
	AEH1023XS6EWA	74,855	21,938	106,413	31,186	3	12,600	21,408	30	762	-	-	-	-
	AEH1173XS6EWA	86,267	25,282	122,335	35,853	3	14,800	25,145	30	762	-	-	-	-
	AEH1433XS6EWA	112,551	32,985	164,106	48,095	3	16,200	27,524	30	762	-	-	-	-
AEH1933XS6EWB	128,615	37,693	173,652	50,892	4	21,600	36,699	30	762	-	-	-	-	
4.5 Fins Per Inch	AEH0323XS4EWA	25,026	7,334	34,363	10,071	2	5,800	9,854	24	610	-	-	-	-
	AEH0413XS4EWA	30,503	8,940	43,154	12,647	2	5,800	9,854	24	610	-	-	-	-
	AEH0443XS4EWA	34,094	9,992	46,511	13,631	3	8,100	13,762	24	610	-	-	-	-
	AEH0553XS4EWA	41,680	12,215	58,038	17,009	3	8,100	13,762	24	610	-	-	-	-
	AEH0603XS4EWA	46,139	13,522	63,649	18,654	4	10,800	18,349	24	610	-	-	-	-
	AEH0743XS4EWA	56,320	16,506	77,679	22,766	3	13,200	22,427	30	762	-	-	-	-
	AEH0753XS4EWA	56,501	16,559	79,548	23,313	4	10,800	18,349	24	610	-	-	-	-
	AEH0923XS4EWA	69,014	20,226	97,114	28,461	3	13,200	22,427	30	762	-	-	-	-
	AEH1063XS4EWA	79,112	23,185	110,970	32,522	3	15,400	26,165	30	762	-	-	-	-
	AEH1333XS4EWA	107,688	31,560	154,685	45,333	3	16,900	28,713	30	762	-	-	-	-
AEH1783XS4EWB	119,705	35,082	160,113	46,924	4	22,400	38,058	30	762	-	-	-	-	

# PERFORMANCE DATA

Selection Capacity: Medium Temp Electric Defrost - 50 Hz

Washdown Motors														
Model	Selection Capacity				Fan Data					Air Throw				
	R-407C		R-448A/R-449A											
	10°F TD 25°F SST	6°C TD -4°C SST	10°F TD 25°F SST	6°C TD -4°C SST	No. of Fans	Air Volume		Diameter		Standard		With Collar		
	BTUH	Watts	BTUH	Watts		CFM	m³H	in	mm	ft	m	ft	m	
6 Fins Per Inch	AEH0363XS6EWA	36,729	10,764	40,260	11,799	2	5,500	9,345	24	610	-	-	-	-
	AEH0443XS6EWA	43,991	12,892	49,351	14,463	2	5,500	9,345	24	610	-	-	-	-
	AEH0493XS6EWA	50,288	14,738	54,642	16,014	3	7,700	13,082	24	610	-	-	-	-
	AEH0613XS6EWA	62,046	18,184	67,134	19,675	3	7,700	13,082	24	610	-	-	-	-
	AEH0673XS6EWA	66,397	19,459	74,094	21,715	4	10,200	17,330	24	610	-	-	-	-
	AEH0823XS6EWA	80,992	23,736	90,552	26,538	3	12,600	21,408	30	762	-	-	-	-
	AEH0833XS6EWA	82,285	24,115	90,960	26,658	4	10,200	17,330	24	610	-	-	-	-
	AEH1023XS6EWA	100,760	29,530	112,117	32,858	3	12,600	21,408	30	762	-	-	-	-
	AEH1173XS6EWA	115,640	33,891	128,960	37,794	3	14,800	25,145	30	762	-	-	-	-
	AEH1433XS6EWA	144,792	42,434	174,274	51,074	3	16,200	27,524	30	762	-	-	-	-
AEH1933XS6EWB	163,398	47,887	189,685	55,591	4	21,600	36,699	30	762	-	-	-	-	
4.5 Fins Per Inch	AEH0323XS4EWA	33,076	9,694	36,028	10,559	2	5,800	9,854	24	610	-	-	-	-
	AEH0413XS4EWA	40,445	11,853	45,072	13,209	2	5,800	9,854	24	610	-	-	-	-
	AEH0443XS4EWA	45,204	13,248	48,954	14,347	3	8,100	13,762	24	610	-	-	-	-
	AEH0553XS4EWA	56,471	16,550	60,874	17,840	3	8,100	13,762	24	610	-	-	-	-
	AEH0603XS4EWA	60,253	17,658	66,703	19,549	4	10,800	18,349	24	610	-	-	-	-
	AEH0743XS4EWA	73,368	21,502	81,408	23,858	3	13,200	22,427	30	762	-	-	-	-
	AEH0753XS4EWA	75,465	22,117	83,305	24,414	4	10,800	18,349	24	610	-	-	-	-
	AEH0923XS4EWA	92,099	26,992	101,719	29,811	3	13,200	22,427	30	762	-	-	-	-
	AEH1063XS4EWA	105,163	30,820	116,289	34,081	3	15,400	26,165	30	762	-	-	-	-
	AEH1333XS4EWA	137,516	40,302	164,733	48,278	3	16,900	28,713	30	762	-	-	-	-
AEH1783XS4EWB	151,410	44,374	173,077	50,724	4	22,400	38,058	30	762	-	-	-	-	

# SPECIFICATIONS

Electric Defrost - 50 Hz

	Model	No. of Motors	Totally Enclosed and Variable Speed Motors						Defrost Heaters
			380V / 50Hz						Total Amps
			Motor HP	Motor Amps	Motor Watts	Fan Circuit MCA	Fan Circuit MOPD	Watts	380V / 50Hz
6 Fins Per Inch	AEH0453XS6ETA	2	3/4	3.5	1,430	3.9	15	7,370	11.2
	AEH0553XS6ETA	2	3/4	3.5	1,430	3.9	15	7,370	11.2
	AEH0613XS6ETA	3	3/4	5.3	2,140	5.7	15	9,520	14.5
	AEH0763XS6ETA	3	3/4	5.3	2,140	5.7	15	9,520	14.5
	AEH0823XS6ETA	4	3/4	7.0	2,860	7.4	15	12,800	19.4
	AEH1023XS6ETA	4	3/4	7.0	2,860	7.4	15	12,800	19.4
	AEH1003XS6ETA	3	1-1/3	7.8	3,750	8.5	15	17,100	28.3
	AEH1253XS6ETA	3	1-1/3	7.8	3,750	8.5	15	17,100	28.3
	AEH1443XS6ETA	3	1-1/3	7.8	3,750	8.5	15	17,100	28.3
	AEH1713XS6ETA	3	1-1/3	7.8	3,750	8.5	15	24,790	39.8
	AEH2303XS6ETB	4	1-1/3	10.4	5,000	11.1	15	36,010	57.9
4.5 Fins Per Inch	AEH0403XS4ETA	2	3/4	3.5	1,430	3.9	15	7,370	11.2
	AEH0503XS4ETA	2	3/4	3.5	1,430	3.9	15	7,370	11.2
	AEH0543XS4ETA	3	3/4	5.3	2,140	5.7	15	9,520	14.5
	AEH0693XS4ETA	3	3/4	5.3	2,140	5.7	15	9,520	14.5
	AEH0733XS4ETA	4	3/4	7.0	2,860	7.4	15	12,800	19.4
	AEH0933XS4ETA	4	3/4	7.0	2,860	7.4	15	12,800	19.4
	AEH0893XS4ETA	3	1-1/3	7.8	3,750	8.5	15	17,100	28.3
	AEH1143XS4ETA	3	1-1/3	7.8	3,750	8.5	15	17,100	28.3
	AEH1303XS4ETA	3	1-1/3	7.8	3,750	8.5	15	17,100	28.3
	AEH1593XS4ETA	3	1-1/3	7.8	3,750	8.5	15	24,790	39.8
	AEH2143XS4ETB	4	1-1/3	10.4	5,000	11.1	15	36,010	57.9

# SPECIFICATIONS

## Electric Defrost - 50 Hz

	Model	No. of Motors	Washdown Motors						Defrost Heaters
			380V / 50Hz						Total Amps
			Motor HP	Motor Amps	Motor Watts	Fan Circuit MCA	Fan Circuit MOPD	Watts	380V / 50Hz
6 Fins Per Inch	AEH0363XS6EWA	2	1-1/2	5.6	1,990	6.3	15	7,370	11.2
	AEH0443XS6EWA	2	1-1/2	5.6	1,990	6.3	15	7,370	11.2
	AEH0493XS6EWA	3	1-1/2	8.4	2,990	9.1	15	9,520	14.5
	AEH0613XS6EWA	3	1-1/2	8.4	2,990	9.1	15	9,520	14.5
	AEH0673XS6EWA	4	1-1/2	11.2	3,980	11.9	20	12,800	19.4
	AEH0833XS6EWA	4	1-1/2	11.2	3,980	11.9	20	12,800	19.4
	AEH0823XS6EWA	3	1-1/2	8.4	2,990	9.1	15	17,100	28.3
	AEH1023XS6EWA	3	1-1/2	8.4	2,990	9.1	15	17,100	28.3
	AEH1173XS6EWA	3	1-1/2	8.4	2,990	9.1	15	17,100	28.3
	AEH1433XS6EWA	3	1-1/2	8.4	2,990	9.1	15	24,790	39.8
	AEH1933XS6EWA	4	1-1/2	11.2	3,980	11.9	20	36,010	57.9
4.5 Fins Per Inch	AEH0323XS4EWA	2	1-1/2	5.6	1,990	6.3	15	7,370	11.2
	AEH0413XS4EWA	2	1-1/2	5.6	1,990	6.3	15	7,370	11.2
	AEH0443XS4EWA	3	1-1/2	8.4	2,990	9.1	15	9,520	14.5
	AEH0553XS4EWA	3	1-1/2	8.4	2,990	9.1	15	9,520	14.5
	AEH0603XS4EWA	4	1-1/2	11.2	3,980	11.9	20	12,800	19.4
	AEH0753XS4EWA	4	1-1/2	11.2	3,980	11.9	20	12,800	19.4
	AEH0743XS4EWA	3	1-1/2	8.4	2,990	9.1	15	17,100	28.3
	AEH0923XS4EWA	3	1-1/2	8.4	2,990	9.1	15	17,100	28.3
	AEH1063XS4EWA	3	1-1/2	8.4	2,990	9.1	15	17,100	28.3
	AEH1333XS4EWA	3	1-1/2	8.4	2,990	9.1	15	24,790	39.8
	AEH1783XS4EWA	4	1-1/2	11.2	3,980	11.9	20	36,010	57.9

# PERFORMANCE DATA

Selection Capacity: Low Temp Hot Gas Defrost - 50 Hz

Totally Enclosed and Variable Speed Motors														
Model	Selection Capacity				Fan Data					Air Throw				
	R-404A/R-507A		R-407A/R-407F											
	10°F TD -20°F SST	6°C TD -29°C SST	10°F TD -20°F SST	6°C TD -29°C SST	No. of Fans	Air Volume		Diameter		Standard		With Collar		
	BTUH	Watts	BTUH	Watts		CFM	m <sup>3</sup> H	in	mm	ft	m	ft	m	
6 Fins Per Inch	AEH0453XS6HTA	29,714	8,708	40,121	11,758	2	8,100	13,762	24	610	60	18	80	24
	AEH0553XS6HTA	35,337	10,356	49,323	14,455	2	8,100	13,762	24	610	60	18	80	24
	AEH0613XS6HTA	40,642	11,911	54,445	15,956	3	11,300	19,199	24	610	60	18	80	24
	AEH0763XS6HTA	49,691	14,563	68,015	19,933	3	11,300	19,199	24	610	60	18	80	24
	AEH0823XS6HTA	53,934	15,806	73,208	21,455	4	15,100	25,655	24	610	60	18	80	24
	AEH1003XS6HTA	65,764	19,274	89,290	26,168	3	18,600	31,602	30	762	90	27	100	30
	AEH1023XS6HTA	66,125	19,379	91,730	26,883	4	15,100	25,655	24	610	60	18	80	24
	AEH1253XS6HTA	81,037	23,750	112,204	32,884	3	18,600	31,602	30	762	90	27	100	30
	AEH1443XS6HTA	93,202	27,315	128,571	37,680	3	21,900	37,208	30	762	90	27	100	30
	AEH1713XS6HTA	112,531	32,980	159,285	46,682	3	23,900	40,606	30	762	110	34	130	40
AEH2303XS6HTB	133,995	39,270	176,024	51,587	4	31,900	54,198	30	762	110	34	130	40	
4.5 Fins Per Inch	AEH0403XS4HTA	26,888	7,880	36,127	10,588	2	8,500	14,442	24	610	60	18	80	24
	AEH0503XS4HTA	32,765	9,602	45,277	13,269	2	8,500	14,442	24	610	60	18	80	24
	AEH0543XS4HTA	36,692	10,753	48,972	14,352	3	11,900	20,218	24	610	60	18	80	24
	AEH0693XS4HTA	45,477	13,328	61,780	18,106	3	11,900	20,218	24	610	60	18	80	24
	AEH0733XS4HTA	49,131	14,399	66,365	19,450	4	15,900	27,014	24	610	60	18	80	24
	AEH0893XS4HTA	59,856	17,542	80,873	23,702	3	19,500	33,131	30	762	90	27	100	30
	AEH0933XS4HTA	61,036	17,888	83,934	24,599	4	15,900	27,014	24	610	60	18	80	24
	AEH1143XS4HTA	74,510	21,837	102,415	30,015	3	19,500	33,131	30	762	90	27	100	30
	AEH1303XS4HTA	85,186	24,966	116,767	34,221	3	22,700	38,568	30	762	90	27	100	30
	AEH1593XS4HTA	106,692	31,268	149,327	43,763	3	24,900	42,305	30	762	110	34	130	40
AEH2143XS4HTB	124,661	36,535	162,673	47,675	4	33,100	56,237	30	762	110	34	130	40	

# PERFORMANCE DATA

Selection Capacity: Low Temp Hot Gas Defrost - 50 Hz

Totally Enclosed and Variable Speed Motors														
Model	Selection Capacity				Fan Data					Air Throw				
	R-407C		R-448A/R-449A											
	10°F TD -20°F SST	6°C TD -29°C SST	10°F TD -20°F SST	6°C TD -29°C SST	No. of Fans	Air Volume		Diameter		Standard		With Collar		
	BTUH	Watts	BTUH	Watts		CFM	m <sup>3</sup> H	in	mm	ft	m	ft	m	
6 Fins Per Inch	AEH0453XS6HTA	38,368	11,245	42,694	12,512	2	8,100	13,762	24	610	60	18	80	24
	AEH0553XS6HTA	45,489	13,332	52,186	15,294	2	8,100	13,762	24	610	60	18	80	24
	AEH0613XS6HTA	52,782	15,469	58,065	17,017	3	11,300	19,199	24	610	60	18	80	24
	AEH0763XS6HTA	66,036	19,353	72,261	21,178	3	11,300	19,199	24	610	60	18	80	24
	AEH0823XS6HTA	68,450	20,061	77,939	22,842	4	15,100	25,655	24	610	60	18	80	24
	AEH1003XS6HTA	83,241	24,396	95,072	27,863	3	18,600	31,602	30	762	90	27	100	30
	AEH1023XS6HTA	86,038	25,215	97,580	28,598	4	15,100	25,655	24	610	60	18	80	24
	AEH1253XS6HTA	105,243	30,844	119,346	34,977	3	18,600	31,602	30	762	90	27	100	30
	AEH1443XS6HTA	120,494	35,313	136,897	40,121	3	21,900	37,208	30	762	90	27	100	30
	AEH1713XS6HTA	138,213	40,506	171,460	50,250	3	23,900	40,606	30	762	110	34	130	40
AEH2303XS6HTB	163,372	47,880	195,025	57,156	4	31,900	54,198	30	762	110	34	130	40	
4.5 Fins Per Inch	AEH0403XS4HTA	34,631	10,149	38,247	11,209	2	8,500	14,442	24	610	60	18	80	24
	AEH0503XS4HTA	42,040	12,321	47,748	13,994	2	8,500	14,442	24	610	60	18	80	24
	AEH0543XS4HTA	47,504	13,922	51,930	15,219	3	11,900	20,218	24	610	60	18	80	24
	AEH0693XS4HTA	60,024	17,591	65,305	19,139	3	11,900	20,218	24	610	60	18	80	24
	AEH0733XS4HTA	62,368	18,278	70,240	20,585	4	15,900	27,014	24	610	60	18	80	24
	AEH0893XS4HTA	75,769	22,206	85,614	25,091	3	19,500	33,131	30	762	90	27	100	30
	AEH0933XS4HTA	79,039	23,164	88,466	25,927	4	15,900	27,014	24	610	60	18	80	24
	AEH1143XS4HTA	96,487	28,278	108,253	31,726	3	19,500	33,131	30	762	90	27	100	30
	AEH1303XS4HTA	109,894	32,207	123,526	36,202	3	22,700	38,568	30	762	90	27	100	30
	AEH1593XS4HTA	131,250	38,465	161,994	47,476	3	24,900	42,305	30	762	110	34	130	40
AEH2143XS4HTB	152,149	44,590	178,913	52,434	4	33,100	56,237	30	762	110	34	130	40	

# PERFORMANCE DATA

Selection Capacity: Low Temp Hot Gas Defrost - 50 Hz

Washdown Motors														
Model	Selection Capacity				No. of Fans	Fan Data				Air Throw				
	R-404A/R-507A		R-407A/R-407F			Air Volume		Diameter		Standard		With Collar		
	10°F TD -20°F SST	6°C TD -29°C SST	10°F TD -20°F SST	6°C TD -29°C SST		CFM	m³H	in	mm	ft	m	ft	m	
	BTUH	Watts	BTUH	Watts										
6 Fins Per Inch	AEH0363XS6HWA	23,798	6,975	32,925	9,649	2	5,500	9,345	24	610	-	-	-	-
	AEH0443XS6HWA	28,321	8,300	40,570	11,890	2	5,500	9,345	24	610	-	-	-	-
	AEH0493XS6HWA	32,445	9,509	44,583	13,066	3	7,700	13,082	24	610	-	-	-	-
	AEH0613XS6HWA	39,030	11,439	54,948	16,104	3	7,700	13,082	24	610	-	-	-	-
	AEH0673XS6HWA	43,637	12,789	60,660	17,778	4	10,200	17,330	24	610	-	-	-	-
	AEH0823XS6HWA	53,355	15,637	74,148	21,731	3	12,600	21,408	30	762	-	-	-	-
	AEH0833XS6HWA	52,588	15,412	74,972	21,972	4	10,200	17,330	24	610	-	-	-	-
	AEH1023XS6HWA	64,530	18,912	91,735	26,885	3	12,600	21,408	30	762	-	-	-	-
	AEH1173XS6HWA	74,368	21,795	105,461	30,908	3	14,800	25,145	30	762	-	-	-	-
	AEH1433XS6HWA	97,027	28,436	141,471	41,461	3	16,200	27,524	30	762	-	-	-	-
AEH1933XS6HWA	110,875	32,494	149,700	43,873	4	21,600	36,699	30	762	-	-	-	-	
4.5 Fins Per Inch	AEH0323XS4HWA	21,574	6,323	29,623	8,682	2	5,800	9,854	24	610	-	-	-	-
	AEH0413XS4HWA	26,296	7,707	37,202	10,903	2	5,800	9,854	24	610	-	-	-	-
	AEH0443XS4HWA	29,391	8,614	40,096	11,751	3	8,100	13,762	24	610	-	-	-	-
	AEH0553XS4HWA	35,931	10,530	50,033	14,663	3	8,100	13,762	24	610	-	-	-	-
	AEH0603XS4HWA	39,775	11,657	54,870	16,081	4	10,800	18,349	24	610	-	-	-	-
	AEH0743XS4HWA	48,552	14,229	66,965	19,626	3	13,200	22,427	30	762	-	-	-	-
	AEH0753XS4HWA	48,708	14,275	68,576	20,098	4	10,800	18,349	24	610	-	-	-	-
	AEH0923XS4HWA	59,495	17,436	83,719	24,536	3	13,200	22,427	30	762	-	-	-	-
	AEH1063XS4HWA	68,200	19,987	95,664	28,036	3	15,400	26,165	30	762	-	-	-	-
	AEH1333XS4HWA	92,835	27,207	133,349	39,081	3	16,900	28,713	30	762	-	-	-	-
AEH1783XS4HWA	103,194	30,243	138,028	40,452	4	22,400	38,058	30	762	-	-	-	-	



# PERFORMANCE DATA

Selection Capacity: Low Temp Hot Gas Defrost - 50 Hz

Washdown Motors														
Model	Selection Capacity				Fan Data						Air Throw			
	R-407C		R-448A/R-449A		No. of Fans	Air Volume		Diameter		Standard		With Collar		
	10°F TD -20°F SST	6°C TD -29°C SST	10°F TD -20°F SST	6°C TD -29°C SST		CFM	m³H	in	mm	ft	m	ft	m	
	BTUH	Watts	BTUH	Watts										
6 Fins Per Inch	AEH0363XS6HWA	31,663	9,280	34,707	10,172	2	5,500	9,345	24	610	-	-	-	-
	AEH0443XS6HWA	37,923	11,114	42,544	12,468	2	5,500	9,345	24	610	-	-	-	-
	AEH0493XS6HWA	43,352	12,705	47,105	13,805	3	7,700	13,082	24	610	-	-	-	-
	AEH0613XS6HWA	53,488	15,676	57,874	16,961	3	7,700	13,082	24	610	-	-	-	-
	AEH0673XS6HWA	57,239	16,775	63,874	18,720	4	10,200	17,330	24	610	-	-	-	-
	AEH0823XS6HWA	69,821	20,463	78,062	22,878	3	12,600	21,408	30	762	-	-	-	-
	AEH0833XS6HWA	70,935	20,789	78,414	22,981	4	10,200	17,330	24	610	-	-	-	-
	AEH1023XS6HWA	86,862	25,457	96,653	28,326	3	12,600	21,408	30	762	-	-	-	-
	AEH1173XS6HWA	99,690	29,216	111,172	32,581	3	14,800	25,145	30	762	-	-	-	-
	AEH1433XS6HWA	124,821	36,581	150,236	44,030	3	16,200	27,524	30	762	-	-	-	-
	AEH1933XS6HWA	140,861	41,282	163,522	47,923	4	21,600	36,699	30	762	-	-	-	-
4.5 Fins Per Inch	AEH0323XS4HWA	28,514	8,357	31,059	9,102	2	5,800	9,854	24	610	-	-	-	-
	AEH0413XS4HWA	34,866	10,218	38,855	11,387	2	5,800	9,854	24	610	-	-	-	-
	AEH0443XS4HWA	38,969	11,421	42,202	12,368	3	8,100	13,762	24	610	-	-	-	-
	AEH0553XS4HWA	48,682	14,267	52,478	15,380	3	8,100	13,762	24	610	-	-	-	-
	AEH0603XS4HWA	51,942	15,223	57,503	16,852	4	10,800	18,349	24	610	-	-	-	-
	AEH0743XS4HWA	63,248	18,536	70,179	20,567	3	13,200	22,427	30	762	-	-	-	-
	AEH0753XS4HWA	65,056	19,066	71,815	21,047	4	10,800	18,349	24	610	-	-	-	-
	AEH0923XS4HWA	79,396	23,269	87,689	25,699	3	13,200	22,427	30	762	-	-	-	-
	AEH1063XS4HWA	90,658	26,569	100,249	29,380	3	15,400	26,165	30	762	-	-	-	-
	AEH1333XS4HWA	118,548	34,743	142,011	41,619	3	16,900	28,713	30	762	-	-	-	-
	AEH1783XS4HWA	130,526	38,253	149,204	43,727	4	22,400	38,058	30	762	-	-	-	-

# PERFORMANCE DATA

Selection Capacity: Medium Temp Hot Gas Defrost - 50 Hz

Totally Enclosed and Variable Speed Motors														
Model	Selection Capacity				Fan Data				Air Throw					
	R-404A/R-507A		R-407A/R-407F											
	10°F TD 25°F SST	6°C TD -4°C SST	10°F TD 25°F SST	6°C TD -4°C SST	No. of Fans	Air Volume		Diameter		Standard		With Collar		
	BTUH	Watts	BTUH	Watts		CFM	m <sup>3</sup> H	in	mm	ft	m	ft	m	
6 Fins Per Inch	AEH0453XS6HTA	34,468	10,102	46,540	13,640	2	8,100	13,762	24	610	60	18	80	24
	AEH0553XS6HTA	40,991	12,013	57,215	16,768	2	8,100	13,762	24	610	60	18	80	24
	AEH0613XS6HTA	47,145	13,817	63,156	18,509	3	11,300	19,199	24	610	60	18	80	24
	AEH0763XS6HTA	57,642	16,893	78,897	23,122	3	11,300	19,199	24	610	60	18	80	24
	AEH0823XS6HTA	62,563	18,335	84,921	24,888	4	15,100	25,655	24	610	60	18	80	24
	AEH1003XS6HTA	76,286	22,357	103,576	30,355	3	18,600	31,602	30	762	90	27	100	30
	AEH1023XS6HTA	76,705	22,480	106,407	31,185	4	15,100	25,655	24	610	60	18	80	24
	AEH1253XS6HTA	94,003	27,549	130,157	38,145	3	18,600	31,602	30	762	90	27	100	30
	AEH1443XS6HTA	108,114	31,685	149,142	43,709	3	21,900	37,208	30	762	90	27	100	30
	AEH1713XS6HTA	130,536	38,256	184,771	54,151	3	23,900	40,606	30	762	110	34	130	40
AEH2303XS6HTB	155,434	45,553	204,188	59,841	4	31,900	54,198	30	762	110	34	130	40	
4.5 Fins Per Inch	AEH0403XS4HTA	31,190	9,141	41,907	12,282	2	8,500	14,442	24	610	60	18	80	24
	AEH0503XS4HTA	38,007	11,139	52,521	15,392	2	8,500	14,442	24	610	60	18	80	24
	AEH0543XS4HTA	42,563	12,474	56,808	16,649	3	11,900	20,218	24	610	60	18	80	24
	AEH0693XS4HTA	52,753	15,460	71,665	21,003	3	11,900	20,218	24	610	60	18	80	24
	AEH0733XS4HTA	56,992	16,703	76,983	22,562	4	15,900	27,014	24	610	60	18	80	24
	AEH0893XS4HTA	69,433	20,349	93,813	27,494	3	19,500	33,131	30	762	90	27	100	30
	AEH0933XS4HTA	70,802	20,750	97,363	28,534	4	15,900	27,014	24	610	60	18	80	24
	AEH1143XS4HTA	86,432	25,331	118,801	34,817	3	19,500	33,131	30	762	90	27	100	30
	AEH1303XS4HTA	98,816	28,960	135,450	39,696	3	22,700	38,568	30	762	90	27	100	30
	AEH1593XS4HTA	123,763	36,271	173,219	50,765	3	24,900	42,305	30	762	110	34	130	40
AEH2143XS4HTB	144,607	42,380	188,701	55,302	4	33,100	56,237	30	762	110	34	130	40	

# PERFORMANCE DATA

Selection Capacity: Medium Temp Hot Gas Defrost - 50 Hz

Totally Enclosed and Variable Speed Motors														
Model	Selection Capacity				No. of Fans	Fan Data				Air Throw				
	R-407C		R-448A/R-449A			Air Volume		Diameter		Standard		With Collar		
	10°F TD 25°F SST	6°C TD -4°C SST	10°F TD 25°F SST	6°C TD -4°C SST		CFM	m <sup>3</sup> H	in	mm	ft	m	ft	m	
	BTUH	Watts	BTUH	Watts										
6 Fins Per Inch	AEH0453XS6HTA	44,507	13,044	49,525	14,514	2	8,100	13,762	24	610	60	18	80	24
	AEH0553XS6HTA	52,767	15,464	60,536	17,741	2	8,100	13,762	24	610	60	18	80	24
	AEH0613XS6HTA	61,227	17,944	67,355	19,740	3	11,300	19,199	24	610	60	18	80	24
	AEH0763XS6HTA	76,602	22,450	83,823	24,566	3	11,300	19,199	24	610	60	18	80	24
	AEH0823XS6HTA	79,402	23,270	90,409	26,496	4	15,100	25,655	24	610	60	18	80	24
	AEH1003XS6HTA	96,560	28,299	110,284	32,321	3	18,600	31,602	30	762	90	27	100	30
	AEH1023XS6HTA	99,804	29,250	113,193	33,173	4	15,100	25,655	24	610	60	18	80	24
	AEH1253XS6HTA	122,082	35,779	138,441	40,573	3	18,600	31,602	30	762	90	27	100	30
	AEH1443XS6HTA	139,773	40,963	158,801	46,540	3	21,900	37,208	30	762	90	27	100	30
	AEH1713XS6HTA	160,327	46,987	198,894	58,290	3	23,900	40,606	30	762	110	34	130	40
AEH2303XS6HTB	189,512	55,540	226,229	66,301	4	31,900	54,198	30	762	110	34	130	40	
4.5 Fins Per Inch	AEH0403XS4HTA	40,172	11,773	44,367	13,002	2	8,500	14,442	24	610	60	18	80	24
	AEH0503XS4HTA	48,766	14,292	55,388	16,232	2	8,500	14,442	24	610	60	18	80	24
	AEH0543XS4HTA	55,105	16,150	60,239	17,654	3	11,900	20,218	24	610	60	18	80	24
	AEH0693XS4HTA	69,628	20,406	75,754	22,201	3	11,900	20,218	24	610	60	18	80	24
	AEH0733XS4HTA	72,347	21,203	81,478	23,879	4	15,900	27,014	24	610	60	18	80	24
	AEH0893XS4HTA	87,892	25,759	99,312	29,105	3	19,500	33,131	30	762	90	27	100	30
	AEH0933XS4HTA	91,685	26,870	102,621	30,075	4	15,900	27,014	24	610	60	18	80	24
	AEH1143XS4HTA	111,925	32,802	125,573	36,802	3	19,500	33,131	30	762	90	27	100	30
	AEH1303XS4HTA	127,477	37,360	143,290	41,994	3	22,700	38,568	30	762	90	27	100	30
	AEH1593XS4HTA	152,249	44,620	187,914	55,072	3	24,900	42,305	30	762	110	34	130	40
AEH2143XS4HTB	176,492	51,725	207,539	60,823	4	33,100	56,237	30	762	110	34	130	40	

# PERFORMANCE DATA

Selection Capacity: Medium Temp Hot Gas Defrost - 50 Hz

Washdown Motors														
Model	Selection Capacity				No. of Fans	Fan Data				Air Throw				
	R-404A/R-507A		R-407A/R-407F			Air Volume		Diameter		Standard		With Collar		
	10°F TD 25°F SST	6°C TD -4°C SST	10°F TD 25°F SST	6°C TD -4°C SST										
	BTUH	Watts	BTUH	Watts		CFM	m³H	in	mm	ft	m	ft	m	
6 Fins Per Inch	AEH0363XS6HWA	27,606	8,090	38,193	11,193	2	5,500	9,345	24	610	-	-	-	-
	AEH0443XS6HWA	32,852	9,628	47,061	13,792	2	5,500	9,345	24	610	-	-	-	-
	AEH0493XS6HWA	37,636	11,030	51,716	15,156	3	7,700	13,082	24	610	-	-	-	-
	AEH0613XS6HWA	45,275	13,269	63,740	18,680	3	7,700	13,082	24	610	-	-	-	-
	AEH0673XS6HWA	50,619	14,835	70,366	20,622	4	10,200	17,330	24	610	-	-	-	-
	AEH0823XS6HWA	61,892	18,139	86,012	25,207	3	12,600	21,408	30	762	-	-	-	-
	AEH0833XS6HWA	61,002	17,878	86,968	25,488	4	10,200	17,330	24	610	-	-	-	-
	AEH1023XS6HWA	74,855	21,938	106,413	31,186	3	12,600	21,408	30	762	-	-	-	-
	AEH1173XS6HWA	86,267	25,282	122,335	35,853	3	14,800	25,145	30	762	-	-	-	-
	AEH1433XS6HWA	112,551	32,985	164,106	48,095	3	16,200	27,524	30	762	-	-	-	-
	AEH1933XS6HWA	128,615	37,693	173,652	50,892	4	21,600	36,699	30	762	-	-	-	-
4.5 Fins Per Inch	AEH0323XS4HWA	25,026	7,334	34,363	10,071	2	5,800	9,854	24	610	-	-	-	-
	AEH0413XS4HWA	30,503	8,940	43,154	12,647	2	5,800	9,854	24	610	-	-	-	-
	AEH0443XS4HWA	34,094	9,992	46,511	13,631	3	8,100	13,762	24	610	-	-	-	-
	AEH0553XS4HWA	41,680	12,215	58,038	17,009	3	8,100	13,762	24	610	-	-	-	-
	AEH0603XS4HWA	46,139	13,522	63,649	18,654	4	10,800	18,349	24	610	-	-	-	-
	AEH0743XS4HWA	56,320	16,506	77,679	22,766	3	13,200	22,427	30	762	-	-	-	-
	AEH0753XS4HWA	56,501	16,559	79,548	23,313	4	10,800	18,349	24	610	-	-	-	-
	AEH0923XS4HWA	69,014	20,226	97,114	28,461	3	13,200	22,427	30	762	-	-	-	-
	AEH1063XS4HWA	79,112	23,185	110,970	32,522	3	15,400	26,165	30	762	-	-	-	-
	AEH1333XS4HWA	107,688	31,560	154,685	45,333	3	16,900	28,713	30	762	-	-	-	-
	AEH1783XS4HWA	119,705	35,082	160,113	46,924	4	22,400	38,058	30	762	-	-	-	-

# PERFORMANCE DATA

Selection Capacity: Medium Temp Hot Gas Defrost - 50 Hz

Washdown Motors														
Model	Selection Capacity				Fan Data						Air Throw			
	R-407C		R-448A/R-449A		No. of Fans	Air Volume		Diameter		Standard		With Collar		
	10°F TD 25°F SST	6°C TD -4°C SST	10°F TD 25°F SST	6°C TD -4°C SST		CFM	m³H	in	mm	ft	m	ft	m	
	BTUH	Watts	BTUH	Watts										
6 Fins Per Inch	AEH0363XS6HWA	36,729	10,764	40,260	11,799	2	5,500	9,345	24	610	-	-	-	-
	AEH0443XS6HWA	43,991	12,892	49,351	14,463	2	5,500	9,345	24	610	-	-	-	-
	AEH0493XS6HWA	50,288	14,738	54,642	16,014	3	7,700	13,082	24	610	-	-	-	-
	AEH0613XS6HWA	62,046	18,184	67,134	19,675	3	7,700	13,082	24	610	-	-	-	-
	AEH0673XS6HWA	66,397	19,459	74,094	21,715	4	10,200	17,330	24	610	-	-	-	-
	AEH0823XS6HWA	80,992	23,736	90,552	26,538	3	12,600	21,408	30	762	-	-	-	-
	AEH0833XS6HWA	82,285	24,115	90,960	26,658	4	10,200	17,330	24	610	-	-	-	-
	AEH1023XS6HWA	100,760	29,530	112,117	32,858	3	12,600	21,408	30	762	-	-	-	-
	AEH1173XS6HWA	115,640	33,891	128,960	37,794	3	14,800	25,145	30	762	-	-	-	-
	AEH1433XS6HWA	144,792	42,434	174,274	51,074	3	16,200	27,524	30	762	-	-	-	-
	AEH1933XS6HWA	163,398	47,887	189,685	55,591	4	21,600	36,699	30	762	-	-	-	-
4.5 Fins Per Inch	AEH0323XS4HWA	33,076	9,694	36,028	10,559	2	5,800	9,854	24	610	-	-	-	-
	AEH0413XS4HWA	40,445	11,853	45,072	13,209	2	5,800	9,854	24	610	-	-	-	-
	AEH0443XS4HWA	45,204	13,248	48,954	14,347	3	8,100	13,762	24	610	-	-	-	-
	AEH0553XS4HWA	56,471	16,550	60,874	17,840	3	8,100	13,762	24	610	-	-	-	-
	AEH0603XS4HWA	60,253	17,658	66,703	19,549	4	10,800	18,349	24	610	-	-	-	-
	AEH0743XS4HWA	73,368	21,502	81,408	23,858	3	13,200	22,427	30	762	-	-	-	-
	AEH0753XS4HWA	75,465	22,117	83,305	24,414	4	10,800	18,349	24	610	-	-	-	-
	AEH0923XS4HWA	92,099	26,992	101,719	29,811	3	13,200	22,427	30	762	-	-	-	-
	AEH1063XS4HWA	105,163	30,820	116,289	34,081	3	15,400	26,165	30	762	-	-	-	-
	AEH1333XS4HWA	137,516	40,302	164,733	48,278	3	16,900	28,713	30	762	-	-	-	-
AEH1783XS4HWA	151,410	44,374	173,077	50,724	4	22,400	38,058	30	762	-	-	-	-	

# SPECIFICATIONS

Hot Gas Defrost - 50 Hz

	Model	No. of Motors	Totally Enclosed and Variable Speed Motors			Drain Pan	
			380V / 50Hz			380V / 50Hz	
			Motor HP	Motor Amps	Motor Watts	Total Amps	Watts
6 Fins Per Inch	AEH0453XS6HTA	2	3/4	3.5	1,430	3.1	2,050
	AEH0553XS6HTA	2	3/4	3.5	1,430	3.1	2,050
	AEH0613XS6HTA	3	3/4	5.3	2,140	3.9	2,560
	AEH0763XS6HTA	3	3/4	5.3	2,140	3.9	2,560
	AEH0823XS6HTA	4	3/4	7.0	2,860	5.1	3,380
	AEH1023XS6HTA	4	3/4	7.0	2,860	5.1	3,380
	AEH1003XS6HTA	3	1-1/3	7.8	3,750	6.8	4,500
	AEH1253XS6HTA	3	1-1/3	7.8	3,750	6.8	4,500
	AEH1443XS6HTA	3	1-1/3	7.8	3,750	6.8	4,500
	AEH1713XS6HTA	3	1-1/3	7.8	3,750	7.2	4,710
	AEH2303XS6HTB	4	1-1/3	10.4	5,000	9.6	6,350
4.5 Fins Per Inch	AEH0403XS4HTA	2	3/4	3.5	1,430	3.1	2,050
	AEH0503XS4HTA	2	3/4	3.5	1,430	3.1	2,050
	AEH0543XS4HTA	3	3/4	5.3	2,140	3.9	2,560
	AEH0693XS4HTA	3	3/4	5.3	2,140	3.9	2,560
	AEH0733XS4HTA	4	3/4	7.0	2,860	5.1	3,380
	AEH0933XS4HTA	4	3/4	7.0	2,860	5.1	3,380
	AEH0893XS4HTA	3	1-1/3	7.8	3,750	6.8	4,500
	AEH1143XS4HTA	3	1-1/3	7.8	3,750	6.8	4,500
	AEH1303XS4HTA	3	1-1/3	7.8	3,750	6.8	4,500
	AEH1593XS4HTA	3	1-1/3	7.8	3,750	7.2	4,710
	AEH2143XS4HTB	4	1-1/3	10.4	5,000	9.6	6,350

# SPECIFICATIONS

Hot Gas Defrost - 50 Hz

	Model	No. of Motors	Totally Enclosed and Variable Speed Motors			Drain Pan	
			380V / 50Hz			380V / 50Hz	
			Motor HP	Motor Amps	Motor Watts	Total Amps	Watts
6 Fins Per Inch	AEH0363XS6HWA	2	1-1/2	5.6	1,990	3.1	2,050
	AEH0443XS6HWA	2	1-1/2	5.6	1,990	3.1	2,050
	AEH0493XS6HWA	3	1-1/2	8.4	2,990	3.9	2,560
	AEH0613XS6HWA	3	1-1/2	8.4	2,990	3.9	2,560
	AEH0673XS6HWA	4	1-1/2	11.2	3,980	5.1	3,380
	AEH0833XS6HWA	4	1-1/2	11.2	3,980	5.1	3,380
	AEH0823XS6HWA	3	1-1/2	8.4	2,990	6.8	4,500
	AEH1023XS6HWA	3	1-1/2	8.4	2,990	6.8	4,500
	AEH1173XS6HWA	3	1-1/2	8.4	2,990	6.8	4,500
	AEH1433XS6HWA	3	1-1/2	8.4	2,990	7.2	4,710
	AEH1933XS6HWA	4	1-1/2	11.2	3,980	9.6	6,350
4.5 Fins Per Inch	AEH0323XS4HWA	2	1-1/2	5.6	1,990	3.1	2,050
	AEH0413XS4HWA	2	1-1/2	5.6	1,990	3.1	2,050
	AEH0443XS4HWA	3	1-1/2	8.4	2,990	3.9	2,560
	AEH0553XS4HWA	3	1-1/2	8.4	2,990	3.9	2,560
	AEH0603XS4HWA	4	1-1/2	11.2	3,980	5.1	3,380
	AEH0753XS4HWA	4	1-1/2	11.2	3,980	5.1	3,380
	AEH0743XS4HWA	3	1-1/2	8.4	2,990	6.8	4,500
	AEH0923XS4HWA	3	1-1/2	8.4	2,990	6.8	4,500
	AEH1063XS4HWA	3	1-1/2	8.4	2,990	6.8	4,500
	AEH1333XS4HWA	3	1-1/2	8.4	2,990	7.2	4,710
	AEH1783XS4HWA	4	1-1/2	11.2	3,980	9.6	6,350

## PHYSICAL DATA

### Air Defrost

	Model		Fan Diameter	No. of Fans	Cabinet Size <sup>†</sup>	Connections (in)				Approx. Net Wt.	
	Totally Enclosed Motors	Washdown Motors				Coil Inlet ODF	Suction ODF	External Equalizer ODF	Drain FPT	lbs	kg
6 Fins Per Inch	AEH0573*S6ATA	AEH0463*S6AWA	24	2	CAB 1	1-1/8	1-5/8	1/4	1-1/4	713	324
	AEH0743*S6ATA	AEH0593*S6AWA	24	2	CAB 1	1-1/8	1-5/8	1/4	1-1/4	790	359
	AEH0773*S6ATA	AEH0623*S6AWA	24	3	CAB 2	1-3/8	1-3/8	1/4	1-1/4	1,026	466
	AEH0963*S6ATA	AEH0763*S6AWA	24	3	CAB 2	1-3/8	2-1/8	1/4	1-1/4	1,128	513
	AEH1093*S6ATA	AEH0883*S6AWA	24	4	CAB 3	1-3/8	2-1/8	1/4	1-1/4	1,355	616
	AEH1333*S6ATA	AEH1073*S6AWA	30	3	CAB 4	1-3/8	2-1/8	1/4	1-1/4	1,937	881
	AEH1353*S6ATA	AEH1083*S6AWA	24	4	CAB 3	1-3/8	2-1/8	1/4	1-1/4	1,482	674
	AEH1663*S6ATA	AEH1323*S6AWA	30	3	CAB 4	1-5/8	2-1/8	1/4	1-1/4	2,095	952
	AEH1913*S6ATA	AEH1523*S6AWA	30	3	CAB 5	1-3/8 (2 conns)	2-1/8 (2 conns)	1/4 (2 conns)	1-1/4	2,223	1,010
	AEH2853*S6ATA	AEH2293*S6AWA	30	3	CAB 6	1-3/8	2-5/8	1/4	1-1/4	3,016	1,371
8 Fins Per Inch	AEH3233*S6ATB	AEH2633*S6AWB	30	4	CAB 7	1-3/8	2-5/8	1/4	1-1/4	3,882	1,765
	AEH3833*S6ATB	AEH3073*S6AWB	30	4	CAB 8	1-5/8	2-5/8	1/4	1-1/4	4,156	1,889
	AEH3133*S8ATA	AEH2543*S8AWA	30	3	CAB 6	1-3/8	2-5/8	1/4	1-1/4	3,016	1,371
	AEH3783*S8ATB	AEH3023*S8AWB	30	4	CAB 7	1-3/8	2-5/8	1/4	1-1/4	3,882	1,765
	AEH4153*S8ATB	AEH3403*S8AWB	30	4	CAB 8	1-3/8	2-5/8	1/4	1-1/4	4,156	1,889

**Notes:**

\* = Electrical Code Designator (see Nomenclature for details)

† = See Dimensional Data Table for cabinet dimensions



# PHYSICAL DATA

## Electric Defrost

	Model		Fan Diameter	No. of Fans	Cabinet Size <sup>†</sup>	Connections (in)				Aprox. Net Wt.	
	Totally Enclosed Motors	Washdown Motors				Coil Inlet ODF	Suction ODF	External Equalizer ODF	Drain FPT	lbs	kg
6 Fins Per Inch	AEH0453*S6ETA	AEH0363*S6EWA	24	2	CAB 1	1-1/8	1-5/8	1/4	1-1/4	739	336
	AEH0553*S6ETA	AEH0443*S6EWA	24	2	CAB 1	1-1/8	1-5/8	1/4	1-1/4	815	371
	AEH0613*S6ETA	AEH0493*S6EWA	24	3	CAB 2	1-3/8	2-1/8	1/4	1-1/4	1,064	484
	AEH0763*S6ETA	AEH0613*S6EWA	24	3	CAB 2	1-3/8	2-1/8	1/4	1-1/4	1,166	530
	AEH0823*S6ETA	AEH0673*S6EWA	24	4	CAB 3	1-3/8	2-1/8	1/4	1-1/4	1,405	639
	AEH1003*S6ETA	AEH0823*S6EWA	30	3	CAB 4	1-3/8	2-1/8	1/4	1-1/4	1,975	898
	AEH1023*S6ETA	AEH0833*S6EWA	24	4	CAB 3	1-3/8	2-1/8	1/4	1-1/4	1,533	697
	AEH1253*S6ETA	AEH1023*S6EWA	30	3	CAB 4	1-3/8	2-1/8	1/4	1-1/4	2,133	970
	AEH1443*S6ETA	AEH1173*S6EWA	30	3	CAB 5	1-3/8 (2 conns)	2-1/8 (2 conns)	1/4 (2 conns)	1-1/4	2,261	1,028
	AEH1713*S6ETA	AEH1433*S6EWA	30	3	CAB 6	1-3/8	2-5/8	1/4	1-1/4	3,120	1,418
	AEH2303*S6ETA	AEH1933*S6EWA	30	4	CAB 8	1-3/8	2-5/8	1/4	1-1/4	4,207	1,912
	AEH0403*S4ETB	AEH0323*S4EWB	24	2	CAB 1	1-1/8	1-5/8	1/4	1-1/4	731	332
4.5 Fins Per Inch	AEH0503*S4ETA	AEH0413*S4EWA	24	2	CAB 1	1-1/8	1-5/8	1/4	1-1/4	805	366
	AEH0543*S4ETA	AEH0443*S4EWA	24	3	CAB 2	1-3/8	2-1/8	1/4	1-1/4	1,051	478
	AEH0693*S4ETA	AEH0553*S4EWA	24	3	CAB 2	1-3/8	2-1/8	1/4	1-1/4	1,153	524
	AEH0733*S4ETA	AEH0603*S4EWA	24	4	CAB 3	1-3/8	2-1/8	1/4	1-1/4	1,388	631
	AEH0893*S4ETA	AEH0743*S4EWA	30	3	CAB 4	1-3/8	2-1/8	1/4	1-1/4	1,952	887
	AEH0933*S4ETA	AEH0753*S4EWA	24	4	CAB 3	1-3/8	2-1/8	1/4	1-1/4	1,515	689
	AEH1143*S4ETA	AEH0923*S4EWA	30	3	CAB 4	1-3/8	2-1/8	1/4	1-1/4	2,108	958
	AEH1303*S4ETA	AEH1063*S4EWA	30	3	CAB 5	1-3/8 (2 conns)	2-1/8 (2 conns)	1/4 (2 conns)	1-1/4	2,233	1,015
	AEH1593*S4ETA	AEH1333*S4EWA	30	3	CAB 6	1-3/8	2-5/8	1/4	1-1/4	3,016	1,371
	AEH2143*S4ETB	AEH1783*S4EWB	30	4	CAB 8	1-3/8	2-5/8	1/4	1-1/4	4,156	1,889

**Notes:**

\* = Electrical Code Designator (see Nomenclature for details)

† = See Dimensional Data Table for cabinet dimensions

## PHYSICAL DATA

### Hot Gas Defrost

	Model		Fan Diameter	No. of Fans	Cabinet Size †	Connections (in)				Aprox. Net Wt.	
	Totally Enclosed Motors	Washdown Motors				Coil Inlet ODF	Suction ODF	External Equalizer ODF	Drain FPT	lbs	kg
6 Fins Per Inch	AEH0453*S6HTA	AEH0363*S6HWA	24	2	CAB 1	1-1/8	1-5/8	1/4	1-1/4	739	336
	AEH0553*S6HTA	AEH0443*S6HWA	24	2	CAB 1	1-1/8	1-5/8	1/4	1-1/4	815	371
	AEH0613*S6HTA	AEH0493*S6HWA	24	3	CAB 2	1-3/8	2-1/8	1/4	1-1/4	1,064	484
	AEH0763*S6HTA	AEH0613*S6HWA	24	3	CAB 2	1-3/8	2-1/8	1/4	1-1/4	1,166	530
	AEH0823*S6HTA	AEH0673*S6HWA	24	4	CAB 3	1-3/8	2-1/8	1/4	1-1/4	1,405	639
	AEH1003*S6HTA	AEH0823*S6HWA	30	3	CAB 4	1-3/8	2-1/8	1/4	1-1/4	1,975	898
	AEH1023*S6HTA	AEH0833*S6HWA	24	4	CAB 3	1-3/8	2-1/8	1/4	1-1/4	1,533	697
	AEH1253*S6HTA	AEH1023*S6HWA	30	3	CAB 4	1-3/8	2-1/8	1/4	1-1/4	2,133	970
	AEH1443*S6HTA	AEH1173*S6HWA	30	3	CAB 5	1-3/8 (2 conns)	2-1/8 (2 conns)	1/4 (2 conns)	1-1/4	2,261	1,028
	AEH1713*S6HTA	AEH1433*S6HWA	30	3	CAB 6	1-3/8	2-5/8	1/4	1-1/4	3,120	1,418
AEH2303*S6HTB	AEH1933*S6HWP	30	4	CAB 8	1-3/8	2-5/8	1/4	1-1/4	4,207	1,912	
4.5 Fins Per Inch	AEH0403*S4HTA	AEH0323*S4HWA	24	2	CAB 1	1-1/8	1-5/8	1/4	1-1/4	731	332
	AEH0503*S4HTA	AEH0413*S4HWA	24	2	CAB 1	1-1/8	1-5/8	1/4	1-1/4	805	366
	AEH0543*S4HTA	AEH0443*S4HWA	24	3	CAB 2	1-3/8	2-1/8	1/4	1-1/4	1,051	478
	AEH0693*S4HTA	AEH0553*S4HWA	24	3	CAB 2	1-3/8	2-1/8	1/4	1-1/4	1,153	524
	AEH0733*S4HTA	AEH0603*S4HWA	24	4	CAB 3	1-3/8	2-1/8	1/4	1-1/4	1,388	631
	AEH0893*S4HTA	AEH0743*S4HWA	30	3	CAB 4	1-3/8	2-1/8	1/4	1-1/4	1,952	887
	AEH0933*S4HTA	AEH0753*S4HWA	24	4	CAB 3	1-3/8	2-1/8	1/4	1-1/4	1,515	689
	AEH1143*S4HTA	AEH0923*S4HWA	30	3	CAB 4	1-3/8	2-1/8	1/4	1-1/4	2,108	958
	AEH1303*S4HTA	AEH1063*S4HWA	30	3	CAB 5	1-3/8 (2 conns)	2-1/8 (2 conns)	1/4 (2 conns)	1-1/4	2,233	1,015
	AEH1593*S4HTA	AEH1333*S4HWA	30	3	CAB 6	1-3/8	2-5/8	1/4	1-1/4	3,016	1,371
AEH2143*S4HTB	AEH1783*S4HWP	30	4	CAB 8	1-3/8	2-5/8	1/4	1-1/4	4,156	1,889	

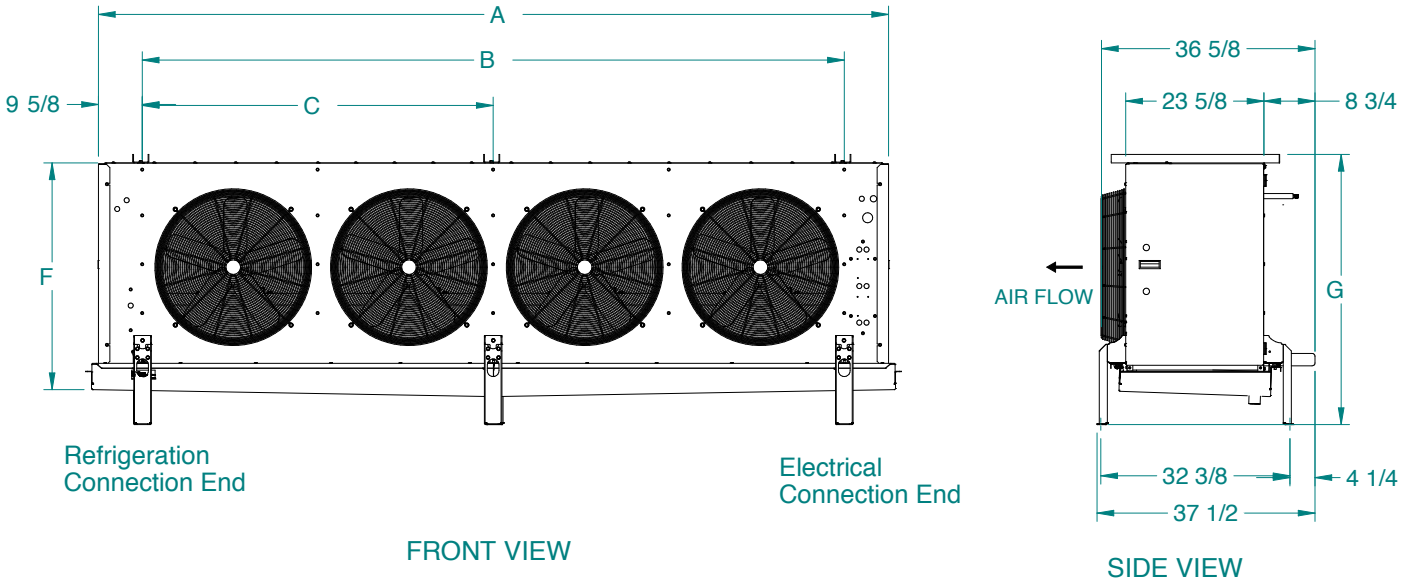
#### Notes:

\* = Electrical Code Designator (see Nomenclature for details)

† = See Dimensional Data Table for cabinet dimensions

# DIMENSIONAL DRAWINGS

Diagram 1: 24" Fan Models

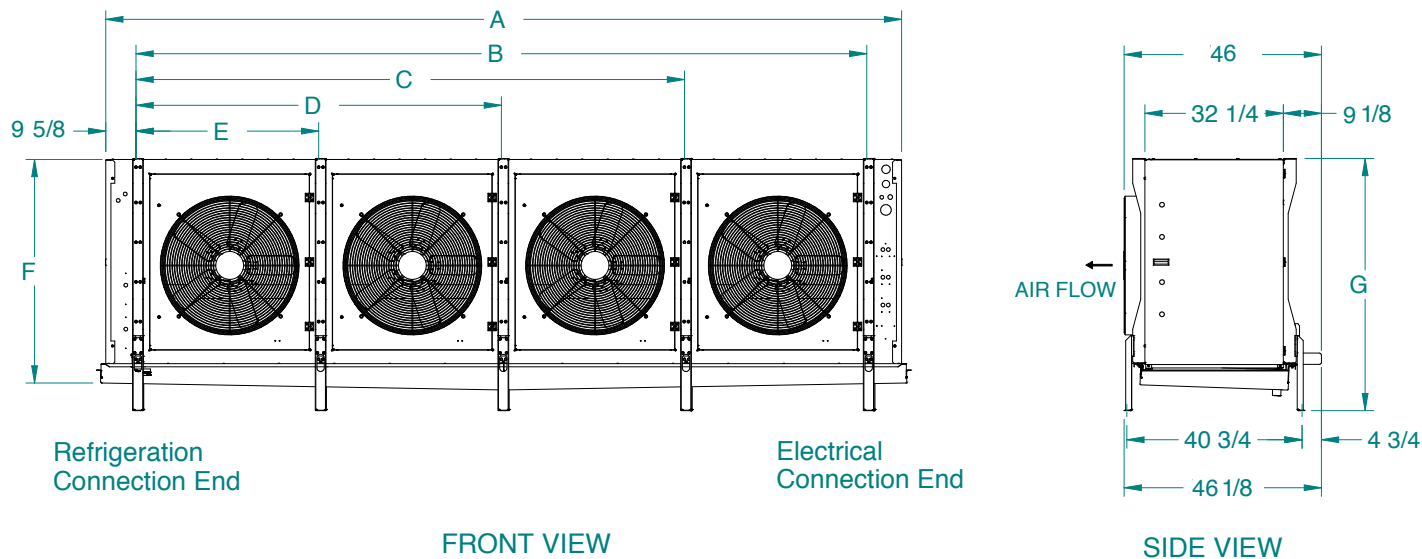


Dimensional Data For 24" Fan Models

Cabinet Size	No. of Fans	A		B		C		D		E		F		G	
		in.	mm	in.	mm	in.	mm	in.	mm	in.	mm	in.	mm	in.	mm
CAB1	2	83	2,110	68 1/8	1,730	-	-	-	-	-	-	38 7/8	986	46 1/4	1,175
CAB2	3	105 1/8	2,670	90 1/8	2,289	45	1445	-	-	-	-	38 3/4	985	46 1/4	1,173
CAB3	4	135 1/8	3,434	120 1/8	3,049	60	1523	-	-	-	-	38 3/4	984	46 1/4	1,173

# DIMENSIONAL DRAWINGS

Diagram 2: 30" Fan Models



Dimensional Data For 30" Fan Models

Cabinet Size	No. of Fans	A		B		C		D		E		F		G	
		in.	mm	in.	mm	in.	mm	in.	mm	in.	mm	in.	mm	in.	mm
CAB4	3	135	3,433	-	-	120	3,048	80	2,032	40	1,016	47	1,181	53	1,351
CAB5	3	135	3,433	-	-	120	3,048	80	2,032	40	1,016	52	1,321	59	1,491
CAB6	3	143	3,623	-	-	128	3,239	85	2,160	43	1,080	52	1,321	59	1,491
CAB7	4	185	4,703	170	4,319	128	3,239	85	2,160	43	1,080	47	1,181	53	1,351
CAB8	4	185	4,703	170	4,320	128	3,240	85	2,160	43	1,080	52	1,321	59	1,487

# STANDARD NOZZLES

## Air & Electric Defrost

		Model		No. of Fans	Distributor Tube (in.)		No. of Circuits	Replacement Distributor Assembly	Nozzle Selections			
		Totally Enclosed Motors	Washdown Motors		OD	Length			R-404A/R-507A	R-407A/F&C	R-448A/R-449A	R-22
Air Defrost	6 Fins Per Inch	AEH0573*S6ATA	AEH0463*S6AWA	2	3/16	26	14	C29715F4, C29715H1	E - 2	E - 3	E - 5	E-2-1/2
		AEH0743*S6ATA	AEH0593*S6AWA	2	3/16	26	14	C29715F4, C29715H1	E - 2 1/2	E - 4	E - 6	E-3
		AEH0773*S6ATA	AEH0623*S6AWA	3	3/16	26	21	C29715F5, C29715H2	C - 3	C - 4	C - 6	C-4
		AEH0963*S6ATA	AEH0763*S6AWA	3	3/16	26	28	C29715F6, C29715H3	C - 4	C - 6	C - 8	C-4
		AEH1333*S6ATA	AEH1073*S6AWA	3	3/16	28	25	C29715G3, C29715H4	C-8	C-8	C-12	C-5
		AEH1663*S6ATA	AEH1323*S6AWA	3	3/16	28	34	C29715F9, C29715G9	A-12	A-12	A-15	A-6
		AEH1913*S6ATA	AEH1523*S6AWA	3	3/16	22	19 X 2	C29715F8, C29715H5	2 X C-6	2 X C-6	2 X C-8	2 X C-4
		AEH2853*S6ATA	AEH2293*S6AWA	3	1/4	32	32	C29715E2	A-15	A-20	A-20	A-20
		AEH1093*S6ATA	AEH0883*S6AWA	4	3/16	26	21	C29715F5, C29715H2	C - 4	C - 6	C-10	C-4
		AEH1353*S6ATA	AEH1083*S6AWA	4	3/16	26	28	C29715F6, C29715H3	C-5	C - 8	C - 12	C-5
	AEH3233*S6ATB	AEH2633*S6AWB	4	1/4	32	21	C29715F5, C29715H2	C-15	C-17	C-17	C-17	
	AEH3833*S6ATB	AEH3073*S6AWB	4	1/4	32	32	C29715E2	A-17	A-20	A-20	A-20	
	8 Fins Per Inch	AEH3133*S8ATA	AEH2543*S8AWA	3	1/4	32	32	C29715E2	A-15	A-20	A-20	A-20
		AEH3783*S8ATB	AEH3023*S8AWB	4	1/4	32	21	C29715D6	C-15	C-20	C-17	C-20
AEH4153*S8ATB		AEH3403*S8AWB	4	1/4	32	24	C29715D5	C-17	C-20	C-20	C-20	
AEH0453*S6ETA		AEH0363*S6EWA	2	3/16	26	14	C29715F4, C29715H1	E - 4	E - 4	E - 6	E-3	
Electric Defrost	6 Fins Per Inch	AEH0553*S6ETA	AEH0443*S6EWA	2	3/16	26	14	C29715F4, C29715H1	E - 5	E - 5	E - 8	E-4
		AEH0613*S6ETA	AEH0493*S6EWA	3	3/16	26	21	C29715F5, C29715H2	C - 6	C - 6	C-10	C-5
		AEH0763*S6ETA	AEH0613*S6EWA	3	3/16	26	28	C29715F6, C29715H3	C - 8	C - 8	C - 12	C-6
		AEH1003*S6ETA	AEH0823*S6EWA	3	3/16	28	25	C29715G3, C29715H4	C-12	C-12	C-15	C-8
		AEH1253*S6ETA	AEH1023*S6EWA	3	3/16	28	34	C29715F9, C29715G9	A-15	A-15	A-20	A-10
		AEH1443*S6ETA	AEH1173*S6EWA	3	3/16	22	19 X 2	C29715F8, C29715H5	2 X C-8	2 X C-8	2 X C-10	2 X C-5
		AEH1713*S6ETA	AEH1433*S6EWA	3	1/4	32	32	C29715E2	A-20	A-20	A-17	A-20
		AEH0823*S6ETA	AEH0673*S6EWA	4	3/16	26	21	C29715F5, C29715H2	C - 8	C - 8	C - 12	C-8
		AEH1023*S6ETA	AEH0833*S6EWA	4	3/16	26	28	C29715F6, C29715H3	C-10	C - 12	C - 15	C-8
		AEH2303*S6ETB	AEH1933*S6EWB	4	1/4	32	32	C29715E2	A-20	A-25	A-25	A-25

**Notes:**

- \* = R-22 nozzle is not included with evaporator. It is for reference only
- Nozzles sized for 90-100°F liquid temperature at expansion valve.
- Contact Application Engineering for guidance if:
  - Liquid temperature is not 90-100°F
  - Evaporator TD is not 10°-15°F (room temperature – saturated suction temperature)
  - Electric defrost models with a saturated suction temperature of 10°F or higher

## Electric Defrost (cont.)

	Model		No. of Fans	Distributor Tube (in.)		No. of Circuits	Replacement Distributor Assembly	Nozzle Selections			
	Totally Enclosed Motors	Washdown Motors		OD	Length			R-404A/R-507A	R-407A/F&C	R-448A/R-449A	R-22
Electric Defrost 4.5 Fins Per Inch	AEH0403*S4ETA	AEH0323*S4EWA	2	3/16	26	14	C29715F4, C29715H1	E - 4	E - 4	E - 6	E-3
	AEH0503*S4ETA	AEH0413*S4EWA	2	3/16	26	14	C29715F4, C29715H1	E - 4	E - 5	E - 8	E-4
	AEH0543*S4ETA	AEH0443*S4EWA	3	3/16	26	21	C29715F5, C29715H2	C-5	C-5	C - 8	C-5
	AEH0693*S4ETA	AEH0553*S4EWA	3	3/16	26	28	C29715F6, C29715H3	C - 6	C - 8	C - 12	C-6
	AEH0893*S4ETA	AEH0743*S4EWA	3	3/16	28	25	C29715G3, C29715H4	C-12	C-12	C-15	C-8
	AEH1143*S4ETA	AEH0923*S4EWA	3	3/16	28	34	C29715F9, C29715G9	A-15	A-15	A-20	A-10
	AEH1303*S4ETA	AEH1063*S4EWA	3	3/16	22	19 X 2	C29715F8, C29715H5	2 X C-8	2 X C-8	2 X C-10	2 X C-5
	AEH1593*S4ETA	AEH1333*S4EWA	3	1/4	32	32	C29715E2	A-17	A-20	A-20	A-20
	AEH0733*S4ETA	AEH0603*S4EWA	4	3/16	26	21	C29715F5, C29715H2	C - 6	C - 8	C - 12	C-8
	AEH0933*S4ETA	AEH0753*S4EWA	4	3/16	26	28	C29715F6, C29715H3	C-10	C-10	C - 15	C-8
	AEH2143*S4ETB	AEH1783*S4EWB	4	1/4	32	32	C29715E2	A-20	A-20	A-20	A-20

**Notes:**

- \* = R-22 nozzle is not included with evaporator. It is for reference only
- Nozzles sized for 90-100°F liquid temperature at expansion valve.
- Contact Application Engineering for guidance if:
  - Liquid temperature is not 90-100°F
  - Evaporator TD is not 10°-15°F (room temperature – saturated suction temperature)
  - Electric defrost models with a saturated suction temperature of 10°F or higher

# STANDARD NOZZLES

## Hot Gas Defrost

		Model		No. of Fans	Distributor Tube (in.)		No. of Circuits	Replacement Distributor Assembly	Nozzle Selections			
		Totally Enclosed Motors	Washdown Motors		OD	Length			R-404A/R-507A	R-407A/F&C	R-448A/R-449A	R-22
Hot Gas Defrost	6 Fins Per Inch	AEH0453*S6HTA	AEH0363*S6HWA	2	3/16	26	14	C29715F4, C29715H1	E - 4	E - 4	E - 6	E-3
		AEH0553*S6HTA	AEH0443*S6HWA	2	3/16	26	14	C29715F4, C29715H1	E - 5	E - 5	E - 8	E-4
		AEH0613*S6HTA	AEH0493*S6HWA	3	3/16	26	21	C29715F5, C29715H2	C - 6	C - 6	C-10	C-5
		AEH0763*S6HTA	AEH0613*S6HWA	3	3/16	26	28	C29715F6, C29715H3	C - 8	C - 8	C - 12	C-6
		AEH1003*S6HTA	AEH0823*S6HWA	3	3/16	28	25	C29715G3, C29715H4	C-12	C-12	C-15	C-6
		AEH1253*S6HTA	AEH1023*S6HWA	3	3/16	28	34	C29715F9, C29715G9	A-15	A-15	A-17	A-8
		AEH1443*S6HTA	AEH1173*S6HWA	3	3/16	22	19 X 2	C29715F8, C29715H5	2 X C-8	2 X C-8	2 X C-10	2 X C-4
		AEH1713*S6HTA	AEH1433*S6HWA	3	1/4	24	16 X 2	C29715L6	2 X C-10	2 X C-12	2 X C-10	2 X C-12
		AEH0823*S6HTA	AEH0673*S6HWA	4	3/16	26	21	C29715F5, C29715H2	C - 8	C - 8	C - 12	C-8
		AEH1023*S6HTA	AEH0833*S6HWA	4	3/16	26	28	C29715F6, C29715H3	C-10	C - 12	C - 15	C-8
AEH2303*S6HTB	AEH1933*S6HWA	4	1/4	24	16 X 2	C29715L6	2 X C-12	2 X C-12	2 X C-12	2 X C-12		
Hot Gas Defrost	4.5 Fins Per Inch	AEH0403*S4HTA	AEH0323*S4HWA	2	3/16	26	14	C29715F4, C29715H1	E - 4	E - 4	E - 6	E-3
		AEH0503*S4HTA	AEH0413*S4HWA	2	3/16	26	14	C29715F4, C29715H1	E - 4	E - 5	E - 8	E-4
		AEH0543*S4HTA	AEH0443*S4HWA	3	3/16	26	21	C29715F5, C29715H2	C-5	C-5	C - 8	C-5
		AEH0693*S4HTA	AEH0553*S4HWA	3	3/16	26	28	C29715F6, C29715H3	C - 6	C - 8	C - 12	C-6
		AEH0893*S4HTA	AEH0743*S4HWA	3	3/16	28	25	C29715G3, C29715H4	C-12	C-12	C-15	C-6
		AEH1143*S4HTA	AEH0923*S4HWA	3	3/16	28	34	C29715F9, C29715G9	A-15	A-15	A-17	A-8
		AEH1303*S4HTA	AEH1063*S4HWA	3	3/16	22	19 X 2	C29715F8, C29715H5	2 X C-8	2 X C-8	2 X C-10	2 X C-4
		AEH1593*S4HTA	AEH1333*S4HWA	3	1/4	24	16 X 2	C29715L6	2 X C-10	2 X C-12	2 X C-10	2 X C-12
		AEH0733*S4HTA	AEH0603*S4HWA	4	3/16	26	21	C29715F5, C29715H2	C - 6	C - 8	C - 12	C-8
		AEH0933*S4HTA	AEH0753*S4HWA	4	3/16	26	28	C29715F6, C29715H3	C-10	C-10	C - 15	C-8
AEH2143*S4HTB	AEH1783*S4HWA	4	1/4	24	16 X 2	C29715L6	2 X C-12	2 X C-12	2 X C-12	2 X C-12		

**Notes:**

- \* = R-22 nozzle is not included with evaporator. It is for reference only
- Nozzles sized for 90-100°F liquid temperature at expansion valve.
- Contact Application Engineering for guidance if:
  - Liquid temperature is not 90-100°F
  - Evaporator TD is not 10°-15°F (room temperature – saturated suction temperature)
  - Electric defrost models with a saturated suction temperature of 10°F or higher

## REPLACEMENT PARTS

### Motor/Fan Blade/Fan Guard

Part #	Description
25328801	MOTOR-FAN, 1.75HP, 230/460V, 900RPM, WASH DN
25328901	MOTOR-FAN, 1.75HP, 575V, 900RPM, WASH DN
25301001	MOTOR, 1HP 230/460/60/50/3 1140 RPM TEAO
25307901	MOTOR, 1/2 HP 575/60/3 1125 TEAO
25391101	MOTOR, 1.5HP, 230/460V, 1140RPM TEAO
25316701	MOTOR, 1.5HP, 575V, 1140RPM TEAO
22900101	FAN BLADE 30" 1140 RPM
5133C	FAN BLADE 24" 1140 RPM
23102301	GUARD-FAN, 30" BLACK
23107801	GUARD-FAN, 24" BLACK
23102304	GUARD-FAN, 30" STAINLESS STEEL
23107804	GUARD-FAN, 24" STAINLESS STEEL

### Coil Defrost Heaters

Part #	Description	Unit Voltage	Wire Lead Color Code
24762501	HEATER-COIL, 1300W 230V	208-230V, 460V	Black
24762502	HEATER-COIL, 1700W 230V	208-230V, 460V	Black
24762503	HEATER-COIL, 2300W 230V	208-230V, 460V	Black
24762801	HEATER-COIL, 1300W 288V	575V	Black, Red
24762802	HEATER-COIL, 1700W 288V	575V	Black, Red
24762803	HEATER-COIL, 2300W 288V	575V	Black, Red
24762601	HEATER-COIL, 2100W 230V	208-230V, 460V	Black
24762602	HEATER-COIL, 2100W 288V	575V	Black, Red
24762701	HEATER-COIL, 3100W 230V	208-230V, 460V	Black
24762702	HEATER-COIL, 3100W 288V	575V	Black, Red



# REPLACEMENT PARTS

## Drain Pan Defrost Heaters

Part #	Item Type	Unit Voltage	Wire Lead Color Code
24703401	HEATER-DRAIN PAN, 0.312DIA, 1000W 230V	208-230V	Black
24703402	HEATER-DRAIN PAN, 0.312DIA, 1000W 460V	460V	Red
24703403	HEATER-DRAIN PAN, 0.312DIA, 1000W 575V	575V	Blue
24703404	HEATER-DRAIN PAN, 0.312DIA, 1250W 230V	208-230V	Black
24703405	HEATER-DRAIN PAN, 0.312DIA, 1250W 460V	460V	Red
24703406	HEATER-DRAIN PAN, 0.312DIA, 1250W 575V	575V	Blue
24703407	HEATER-DRAIN PAN, 0.312DIA, 1650W 230V	208-230V	Black
24703408	HEATER-DRAIN PAN, 0.312DIA, 1650W 460V	460V	Red
24703409	HEATER-DRAIN PAN, 0.312DIA, 1650W 575V	575V	Blue
24701004	HEATER DRAIN PAN, 0.312DIA, 2200W 230V	208-230V	Black
24701005	HEATER DRAIN PAN, 0.312DIA, 2200W 460V	460V	Red
24701006	HEATER DRAIN PAN, 0.312DIA, 2200W 575V	575V	Blue
24701001	HEATER DRAIN PAN, 0.312DIA, 2300W 230V	208-230V	Black
24701002	HEATER DRAIN PAN, 0.312DIA, 2300W 460V	460V	Red
24701003	HEATER DRAIN PAN, 0.312DIA, 2300W 575V	575V	Blue
24703301	HEATER DRAIN PAN, 0.312DIA, 3100W 230V	208-230V	Black
24703302	HEATER DRAIN PAN, 0.312DIA, 3100W 460V	460V	Red
24703303	HEATER DRAIN PAN, 0.312DIA, 3100W 575V	575V	Blue

## REPLACEMENT PARTS

### Cabinet Sheet Metal

Cabinet	Fan Diameter	# of Fans	Cabinet Height (In.)	Drain Pan			Side Panel			Left Back Panel (Refrig. conn)		
				Cabinet Material								
				Plain GALV	White GALV	Stainless Steel	Plain GALV	White GALV	Stainless Steel	Plain GALV	White GALV	Stainless Steel
CAB 1	24"	2	38 7/8	40596701	40596702	40596703	41100801	41100802	41100803	41101001	41101002	41101003
CAB 2	24"	3	38 3/4	40599001	40599002	40599003	41100801	41100802	41100803			
CAB 3	24"	4	38 3/4	40598901	40598902	40598903	41100801	41100802	41100803			
CAB 4	30"	3	47	40598301	40598302	40598303	41104501	41104502	41104503	41104301	41104302	41104303
CAB 5	30"	3	52 (135 in. Long)	40598301	40598302	40598303	41103401	41103402	41103403	41103301	41103302	41103303
CAB 6	30"	3	52 (143 in. Long)	40598701	40598702	40598703	41109401	41109402	41109403	41109001	41109002	41109003
CAB 7	30"	4	47	40597101	40597102	40597103	41102401	41102402	41102403	41102201	41102202	41102203
CAB 8	30"	4	52	40597101	40597102	40597103	41103401	41103402	41103403	41109001	41109002	41109003

### Miscellaneous Components

Part #	Description
2891040	Room Thermostat
4267-W	Defrost Termination and Fan Delay Thermostat Adjustable Type
5893-Q	Defrost Termination Thermostat Adjustable Type
22590131	Heater Limit Thermostat

#### Notes:

\* Includes provision to mount drain pan heater  
Contact factory for hot gas defrost components not listed





2175 West Park Place Blvd.

Stone Mountain, GA 30087

Phone: 800.537.7775 · Fax: 770.465.5900

[heatcraftprd.com](http://heatcraftprd.com)

Since product improvement is a continuing effort, we reserve the right to make changes in specifications without notice.

**LUC/HD-0724 | Version 005**

©2024 Heatcraft Refrigeration Products LLC